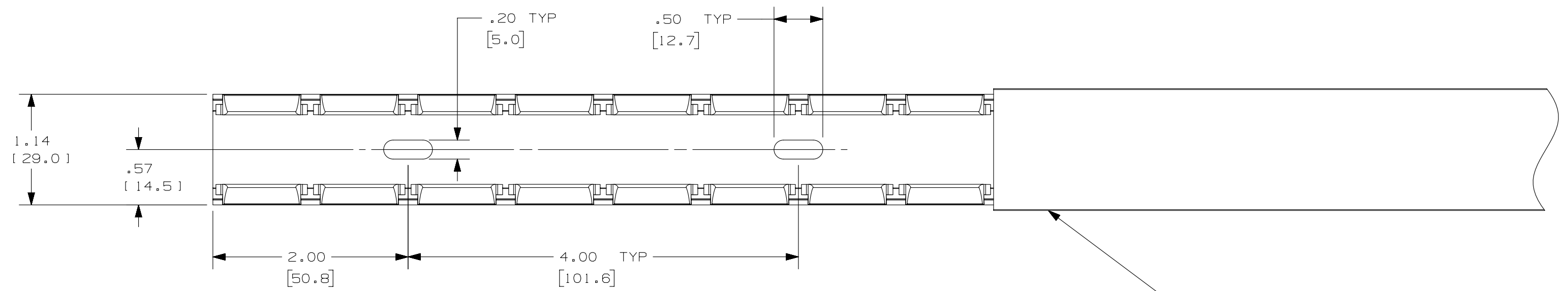


4

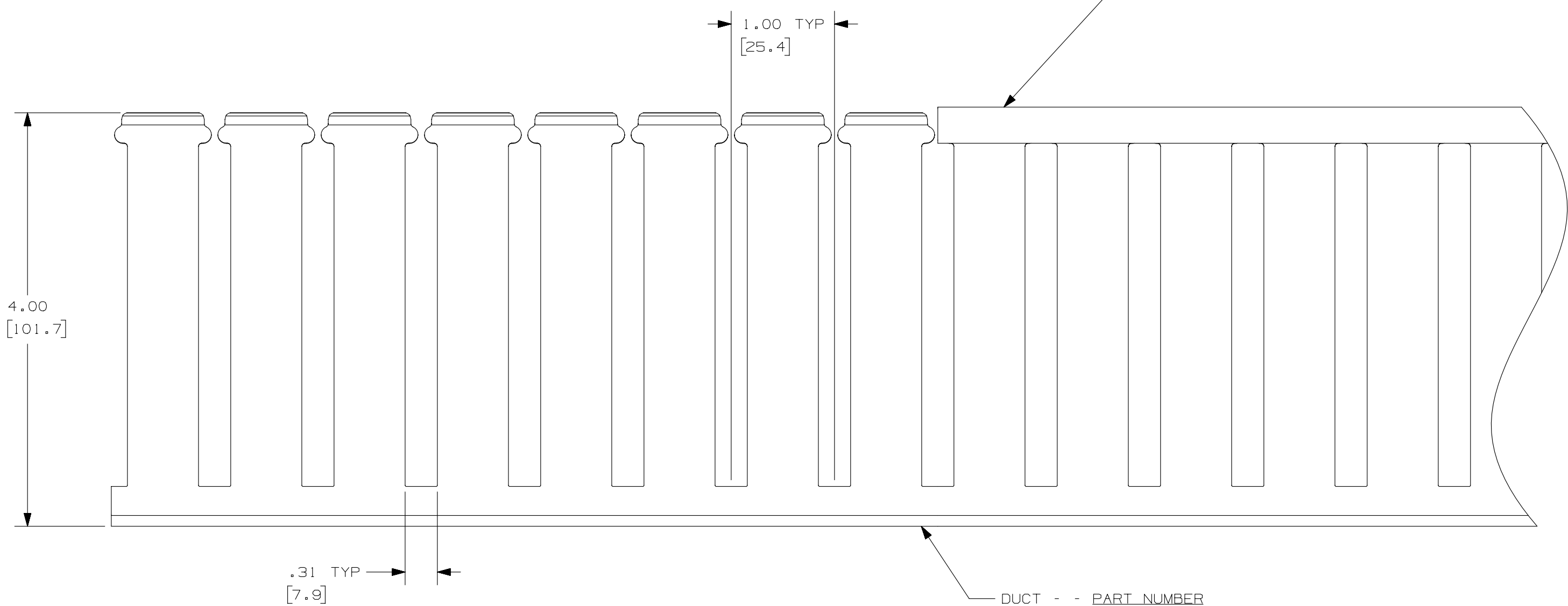
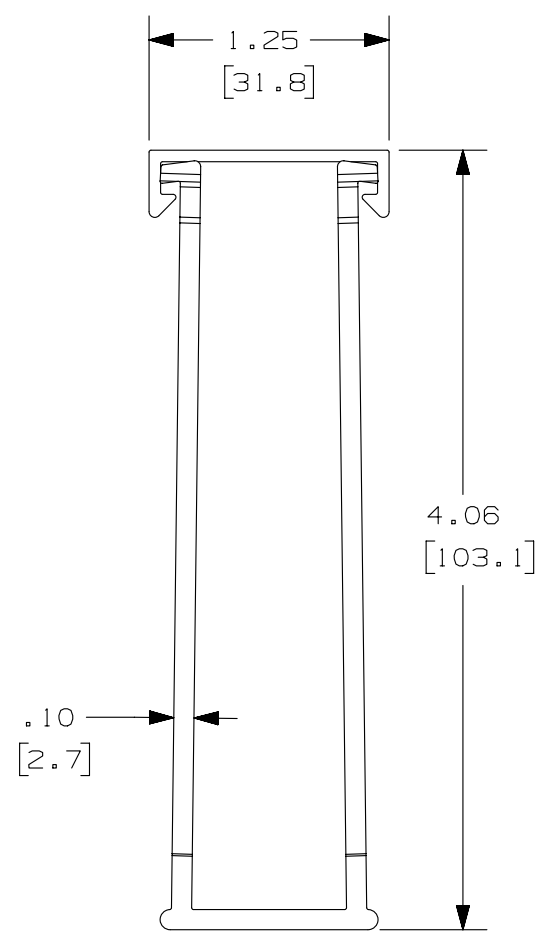
3

2

1



COVER - - PART NUMBER
NC1**6



DUCT - - PART NUMBER
NE1X4**6

- NOTE.
1. ALL DIMENSIONS ARE REFERENCE ONLY.
 2. DIMENSIONS IN PARENTHESES ARE METRIC.
 3. DUCT AND COVER ARE AVAILABLE IN 6 FT (1828.8) LENGTHS.
 4. THE ** DENOTE COLOR.

REV	DATE	BY	CHK	APR	DESCRIPTION	ECN
4	03-14-13	JBN	RTFI	RTFI	J. UPDATED DRAWING BORDER & TITLE BLOCK	36897-945

TITLE WIRING DUCT - TYPE NE WITH COVER 1 X 4		MARKETING DRAWING	
ITEM REVISION NAME D11000RN/02	UNLESS OTHERWISE SPECIFIED, DIMENSIONAL TOLERANCES ARE: 1N (mm)		
DATASET FILE NAME D11000RN_DC/02B	.X ± .XXX ± .XX ± ANGLS ±		MATERIAL HALOGEN FREE MODIFIED PPO
DRAWN BY DATE JHNU 10-16-03		CHK SCALE JGG FULL	DRAWING NUMBER 36897-945
THIRD ANGLE PROJECTION		DRAWING NUMBER 36897-945	
SHT 1 OF 1		SIZE C	

4

3

2

1

D101000C/12