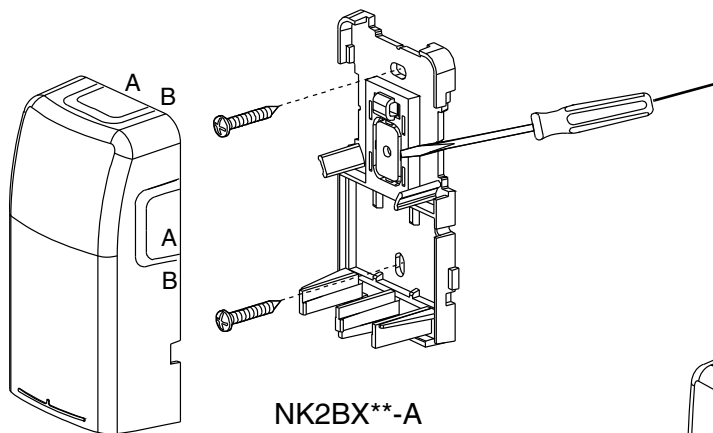
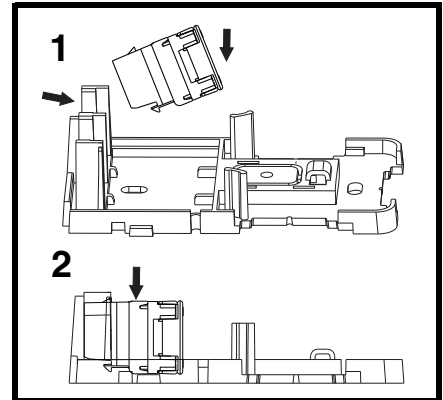




PART NO.	RACEWAY	BREAK OUT
NK2BX**-A	LDP3/LD3	A
	LDP5/LD5	B
NK4BX**-AY	LDP3/LD3	A
	LDP5/LD5	B
	LDP10/LD10	C
NK6BX**-AY	LDP3/LD3	A
	LDP5/LD5	B
	LDP10/LD10	C

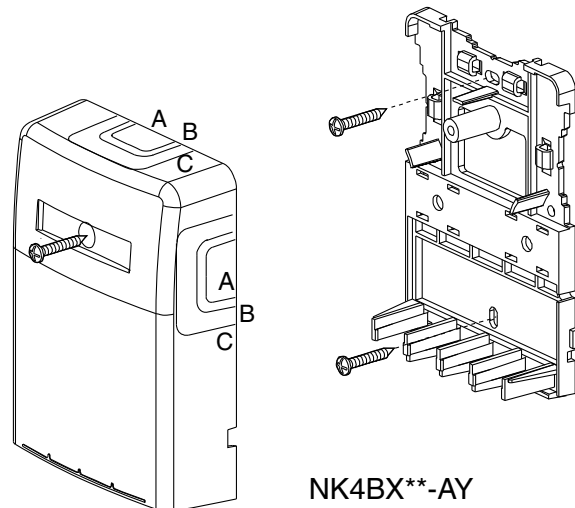


HOW TO MOUNT THE CONNECTOR MODULES (ORDERED SEPARATELY)

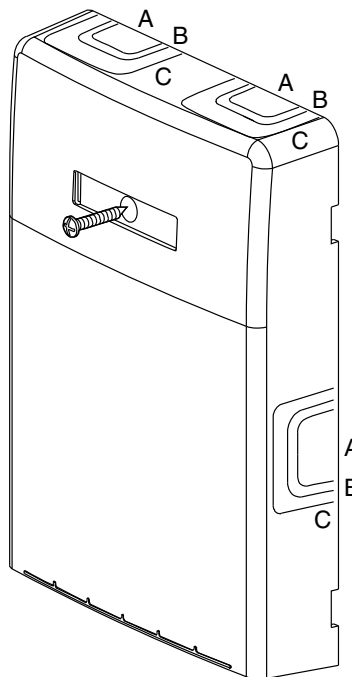


NK2BX**-A

IF RUNNING CABLE THROUGH WALL, REMOVE BREAKOUT BEFORE MOUNTING TO WALL



NK4BX**-AY



NK6BX**-AY

** Denotes color.

For Instructions in Local Languages
and Technical Support:

www.panduit.com/resources/install_maintain.asp

PANDUIT

www.panduit.com

E-mail:
cs@panduit.com

Fax:
866-449-1702