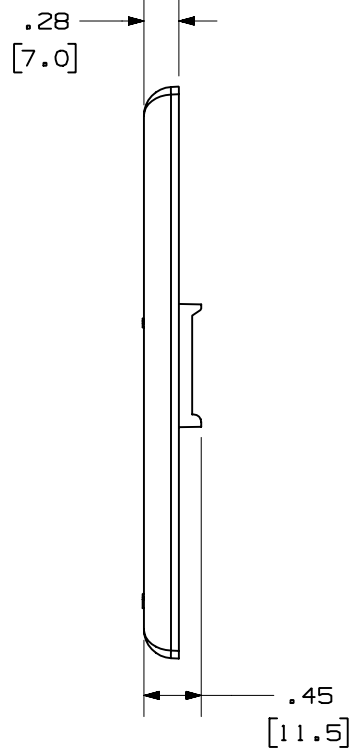
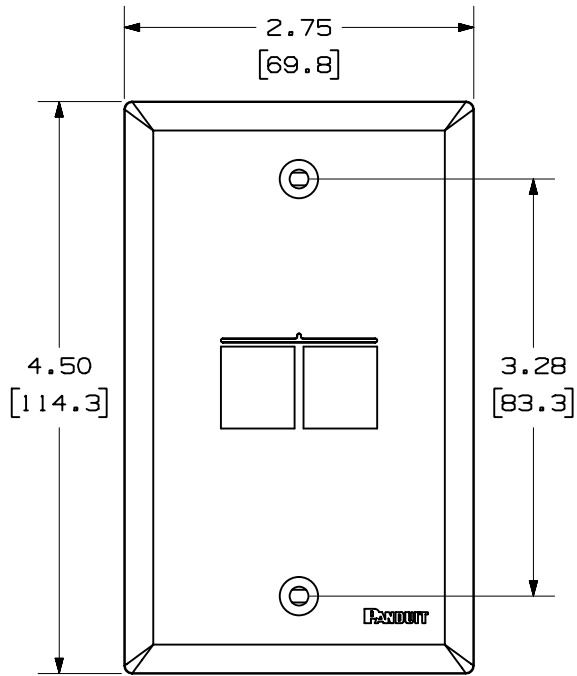


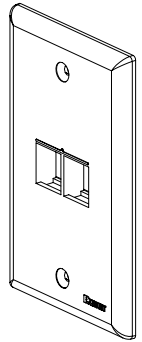
THIS COPY IS PROVIDED ON A RESTRICTED BASIS AND IS NOT TO BE USED IN ANY WAY DETRIMENTAL TO THE INTERESTS OF PANDUIT CORP.

PANDUIT P/N	WEIGHT
NK2FN**	.XX LB/10 PCS (XXX.X g/10 PCS)



NOTES:

1. SEE CURRENT CATALOG FOR ADDITIONAL PART NUMBER SUFFIXES TO INDICATE COLOR AND OR PACKAGE QUANTITY.
2. SEE CATALOG FOR COMPLETE LIST OF PARTS APPLICABLE FOR USE WITH THIS PART.
3. DIMENSIONS IN PARENTHESES ARE IN METRIC.
4. PART INCLUDES:
 - 1- FACEPLATE
 - 2- COLOR COORDINATED MOUNTING SCREW (#6-32X 1.00")



MODEL FILENAME	MO2062BB_NKFP2_02.PRT	SIZE	A
DRAWING FILENAME	MO2062BB_DC_02A.PRT		

NETKEY™ 2 POSITION
VERTICAL CLASSIC SERIES
FACEPLATE CUSTOMER DRAWING

<p>PANDUIT™ CORP. TINLEY PARK, ILL 60477</p>	1.1. NUMBER	N/A
	PRODUCT SPEC	N/A
<p>THIRD ANGLE PROJECTION</p>	WORK INSTRUCTION	N/A
	SCALE	NONE
<p>ALL DIMENSIONS ARE GIVEN IN INCHES, UNLESS OTHERWISE SPECIFIED.</p> <p>DIMENSIONAL TOLERANCES ARE:</p> <p>(.X) ± (.XXX) ± .010(.3)</p> <p>(.XX) ± .03(.8) ANGLES ±</p>	PART NO.	NK2FN**
<p>REVIEW DRAWING NUMBERS</p> <p>MATERIAL: ABS</p>	DRAWING NO.	02062-05

REV	DATE	BY	CHK	DESCRIPTION	ECN	R	CUST	SUP	OTH
R	8-16-04	JsP		RELEASED TO PRODUCTION	02062-05				