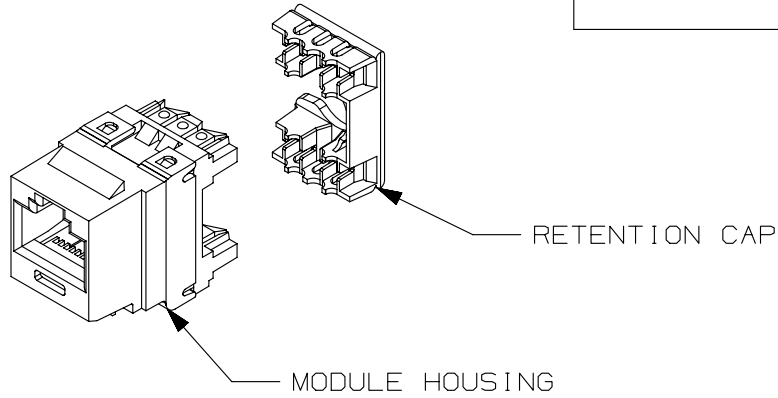


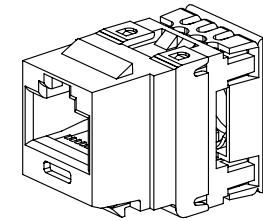
THIS COPY IS PROVIDED ON A RESTRICTED BASIS AND IS NOT TO BE USED IN ANY WAY DETRIMENTAL TO THE INTERESTS OF PANDUIT CORP.

PANDUIT PART#	DESCRIPTION	WEIGHT
NK688M**	8 POSITION, 8 WIRE UNIVERSAL MODULE. MODULE IS COLOR CODED FOR T568A AND T568B WIRING SCHEMES.	1.495 LB/100 PCS (678g/100 PCS)

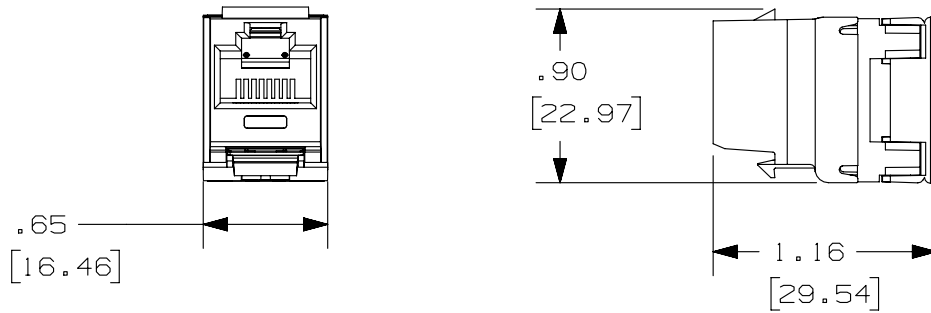


NOTES:

- SEE CURRENT CATALOG FOR ADDITIONAL PART NUMBER SUFFIXES TO INDICATE COLOR AND OR PACKAGE QUANTITY.
- MATERIAL:  
MODULE - ABS/PC  
RETENTION CAP - ABS
- ALL CATEGORY 6, 8 POSITION, 8 WIRE CONNECTOR MODULES ARE UNIVERSAL IN DESIGN. THEY ACCEPT SIX AND EIGHT POSITION MODULAR PLUGS WITHOUT DAMAGE.
- DIMENSIONS IN PARENTHESES ARE IN METRIC.



ACTUAL SIZE



PART NUMBER		NK688M**	
TITLE			
NETKEY CATEGORY 6 PUNCHDOWN JACK MODULE		CUSTOMER DRAWING	
ITEM REVISION NAME		M02341CA/06	<b>PANDUIT</b>
DATASET FILE NAME		M02341CA_DC07/06B	
UNLESS OTHERWISE SPECIFIED, DIMENSIONAL TOLERANCES ARE: IN [mm]		MATERIAL:	
.x ± .xxx ± .010 [.3]		SEE NOTE 2	
.xx ± .03 [.8] ANGLES ±		DRAWING NUMBER:	
THIRD ANGLE PROJECTION		02341-07	
DRAWN BY	DATE	CHK	SCALE
MDJR	8-25-05	PBC	NONE
REV	DATE	BY	CHK
03	5-13-14	MDJR	REFR
APR		DESCRIPTION	
ALL PREVIOUS REVISIONS HAVE BEEN OMITTED FOR CLARITY. A. UPDATED TITLE BLOCK.		ECN	
02341-07		SHT 1 OF 1	
A		A	

REV	DATE	BY	CHK	APR	DESCRIPTION	ECN
03	5-13-14	MDJR	REFR	JCK	ALL PREVIOUS REVISIONS HAVE BEEN OMITTED FOR CLARITY. A. UPDATED TITLE BLOCK.	02341-07

D10100DA/14

2

1

2

1