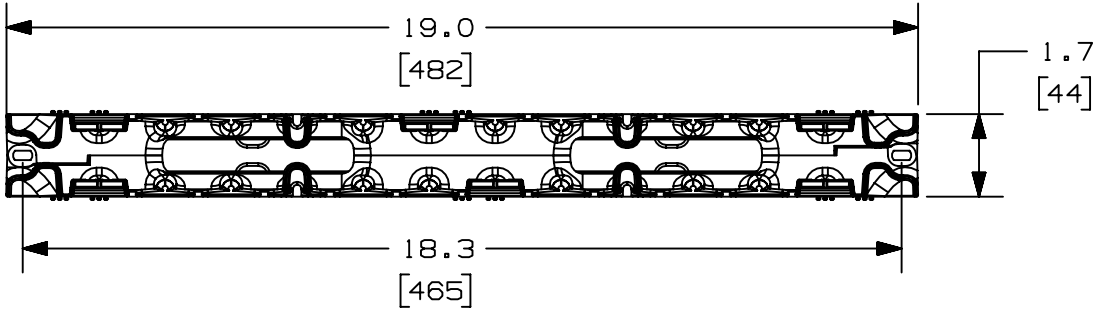


2

1

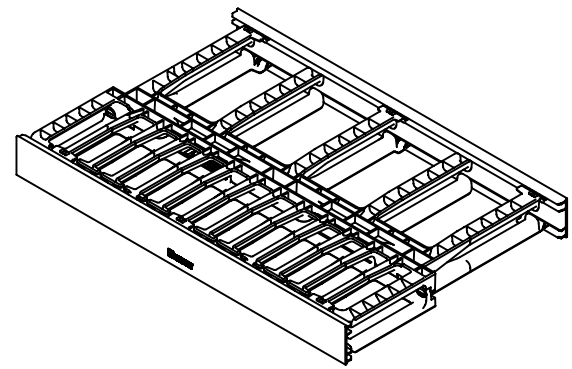
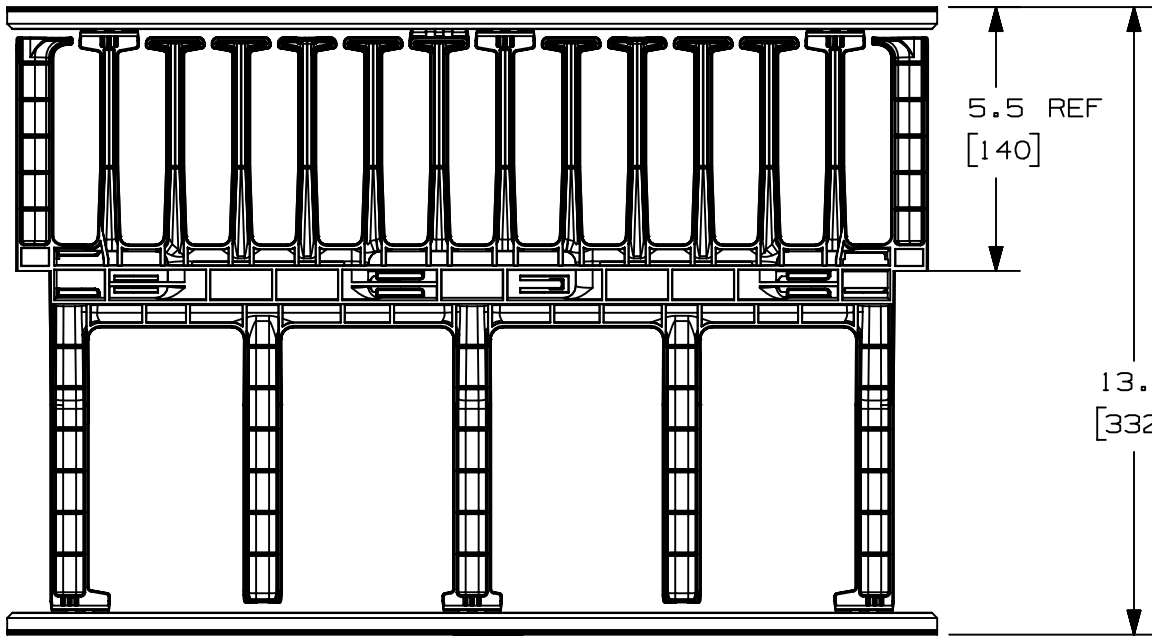
THIS COPY IS PROVIDED ON A RESTRICTED BASIS AND IS NOT TO BE USED IN ANY WAY DETRIMENTAL TO THE INTERESTS OF PANDUIT CORP.



PANDUIT P/N	WEIGHT
NM1	1.8 LBS/EACH 816 g/EACH
NM1WH	1.8 LBS/EACH 816 g/EACH

- NOTES:
- VISIT OUR ON-LINE CATALOG AT WWW.PANDUIT.COM FOR A CURRENT LIST OF PRODUCTS APPLICABLE FOR USE WITH THIS PART.
 - COMPONENTS:
1- NM1 MANAGER (FRONT AND REAR)
2- 1RU 19" COVERS
 - DIMENSIONS IN PARENTHESES ARE METRIC.

MAX STORAGE TEMPERATURE 65° C (149° F)
MAX OPERATING TEMPERATURE 60° C (140° F)



B

B

A

A

D10100DA/15

REV	DATE	BY	CHK	APR	DESCRIPTION	ECN
03B	4-16-20	JBO	JCO	JEFK	ADDED TEMPERATURE NOTE	M09000LT

TITLE		NM1 CABLE MANAGER CUSTOMER DRAWING		
ITEM REVISION NAME		V10404AG/03		
DATASET FILE NAME		V10404AG_DC/03B		
UNLESS OTHERWISE SPECIFIED, DIMENSIONAL TOLERANCES ARE: IN [mm]		PANDUIT MATERIAL: MANAGER: ABS 1RU COVERS: PVC		
.x ± .1 [2.54] .xxx ± .005 [.127] .xx ± .01 [.25] ANGLES ± 5°		DRAWING NUMBER: 10404-19		
THIRD ANGLE PROJECTION		SHT 1 OF 1		
DRAWN BY	DATE	CHK	SCALE	SIZE
BAME	3-6-07	TCK	NONE	A

2

1