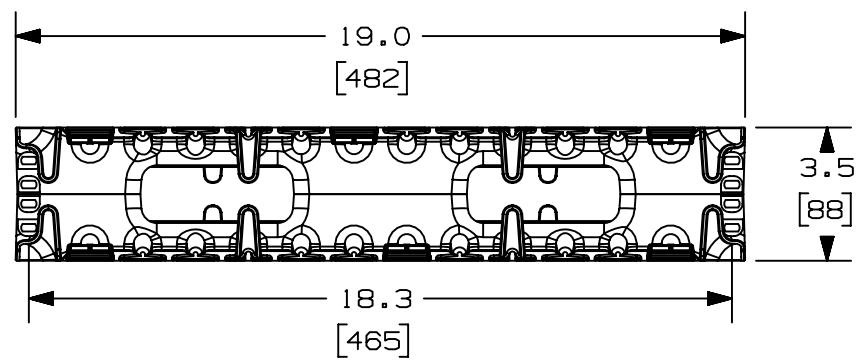


2

1

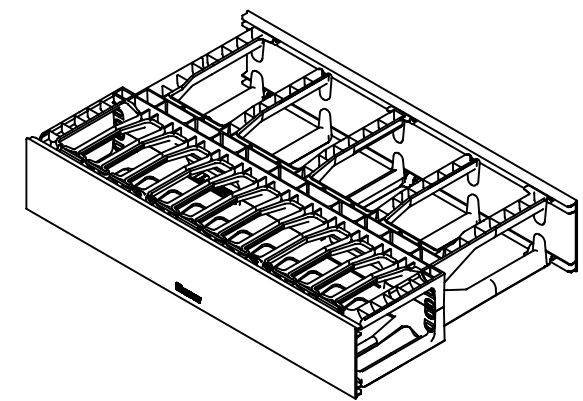
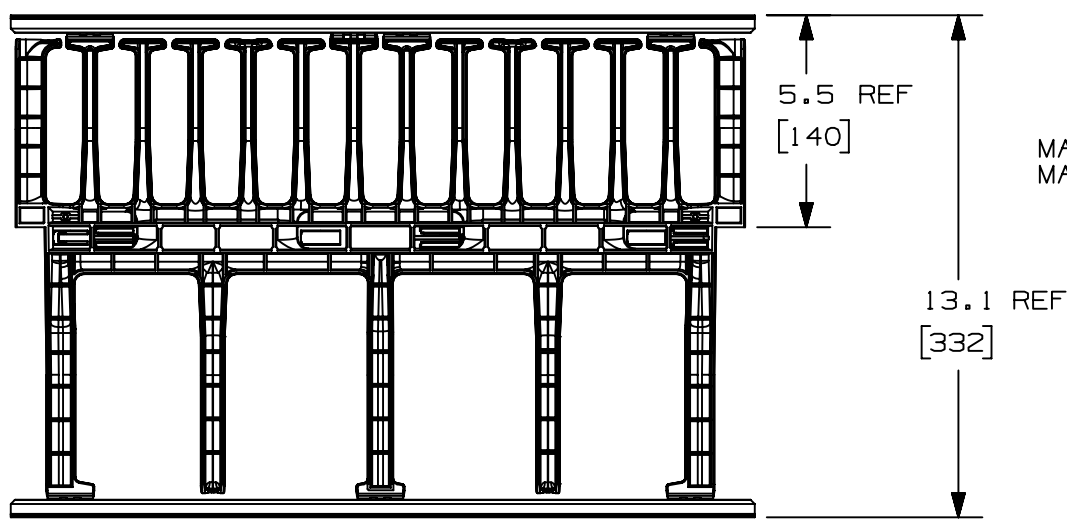
THIS COPY IS PROVIDED ON A RESTRICTED BASIS AND IS NOT TO BE USED IN ANY WAY DETRIMENTAL TO THE INTERESTS OF PANDUIT CORP.



| PANDUIT P/N | WEIGHT |
|-------------|----------------------------|
| NM2 | 2.5 LBS/EACH 1134g/EACH |
| NM2WH | 2.5 LBS/EACH 1134g/EACH |

- NOTES:
- VISIT OUR ON-LINE CATALOG AT WWW.PANDUIT.COM FOR A CURRENT LIST OF PRODUCTS APPLICABLE FOR USE WITH THIS PART.
 - COMPONENTS:
1- 2RU MANAGER (FRONT AND REAR)
2- 2RU 19" COVERS
 - DIMENSIONS IN PARENTHESIS ARE METRIC.

MAX STORAGE TEMPERATURE 65°C (149°F)
MAX OPERATING TEMPERATURE 60°C (140°F)



B

B

A

A

DI10100DA/15

| REV | DATE | BY | CHK | APR | DESCRIPTION | ECN |
|-----|---------|-----|-----|------|------------------------|----------|
| 06B | 4-17-20 | JBO | JCO | JEFK | ADDED TEMPERATURE NOTE | M09000LT |

| | | | |
|--|----------------|--------------------------------|---------------|
| TITLE NET MANAGER 2 RU FRONT AND REAR | | CUSTOMER DRAWING | |
| ITEM REVISION NAME V10404AA/06 | | PANDUIT | |
| DATASET FILE NAME V10404AA_DC/06B | | | |
| UNLESS OTHERWISE SPECIFIED, DIMENSIONAL TOLERANCES ARE: IN [mm] | | MATERIAL: | |
| .x ± .1 [2.54] .xxx ± .005 [.127] | | MANAGER: ABS 2RU COVER: PVC | |
| .xx ± .01 [.25] ANGLES ± 5° | | DRAWING NUMBER: | |
| THIRD ANGLE PROJECTION | | 10404-20 | |
| DRAWN BY BAME | DATE 3-6-07 | CHK TCK | SCALE NONE |
| SHT 1 OF 1 | | SIZE A | |

2

1