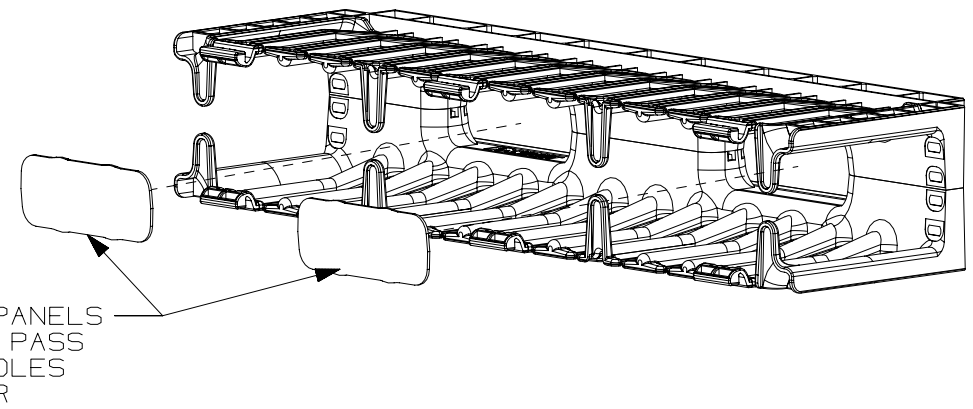
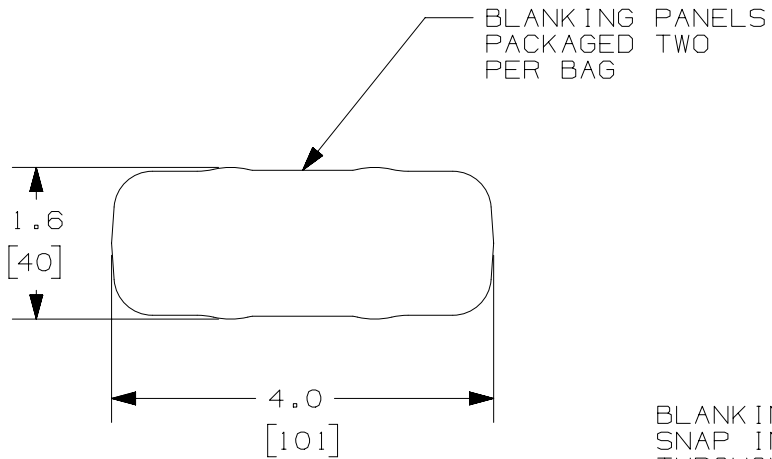


THIS COPY IS PROVIDED ON A RESTRICTED BASIS AND IS NOT TO BE USED IN ANY WAY DETRIMENTAL TO THE INTERESTS OF PANDUIT CORP.

PANDUIT P/N	WEIGHT
NM2B	.2 LBS/EACH 5.7 g/EACH

- NOTES:
1. VISIT OUR ON-LINE CATALOG AT [WWW.PANDUIT.COM](http://WWW.PANDUIT.COM) FOR A CURRENT LIST OF PRODUCTS APPLICABLE FOR USE WITH THIS PART.
  2. COMPONENTS:  
2-NM2/NMF2 BLANKING PANELS
  3. DIMENSIONS IN PARENTHESIS ARE METRIC.



REV	DATE	BY	CHK	APR	DESCRIPTION	ECN
02C	3-8-17	TWV		JEFK	UPDATED TITLE OF DRAWING	V10404BT-DC
02B	6-23-15	TWV	MACA	KRKE	ADDED INSTALLATION VIEW	V10404BT-DC
02A	11-11-10	BAME			DRAWING RELEASED	V10404BT-DC

TITLE <b>BLANKING PANELS FOR NM2 AND NMF2 HORIZONTAL MANAGER (NM2B)</b> CUSTOMER DRAWING			
ITEM REVISION NAME V10404BT/02		<b>PANDUIT</b>	
DATASET FILE NAME V10404BT_DC/02C			
UNLESS OTHERWISE SPECIFIED, DIMENSIONAL TOLERANCES ARE: INCHES    +/- 0.03    METRIC - MILLIMETER    +/- 0.8 X.X       +/- 0.018    X.X       +/- 0.46    ANGLE       +/- 1° X.XX      +/- 0.007    X.XX      +/- 0.18			MATERIAL: <b>PLASTIC</b>
DRAWN BY BAME		DATE 11-11-10	THIRD ANGLE PROJECTION
CHK	SCALE	DRAWING NUMBER: V10404BT-DC	
	NONE	SHT 1 OF 1	SIZE A