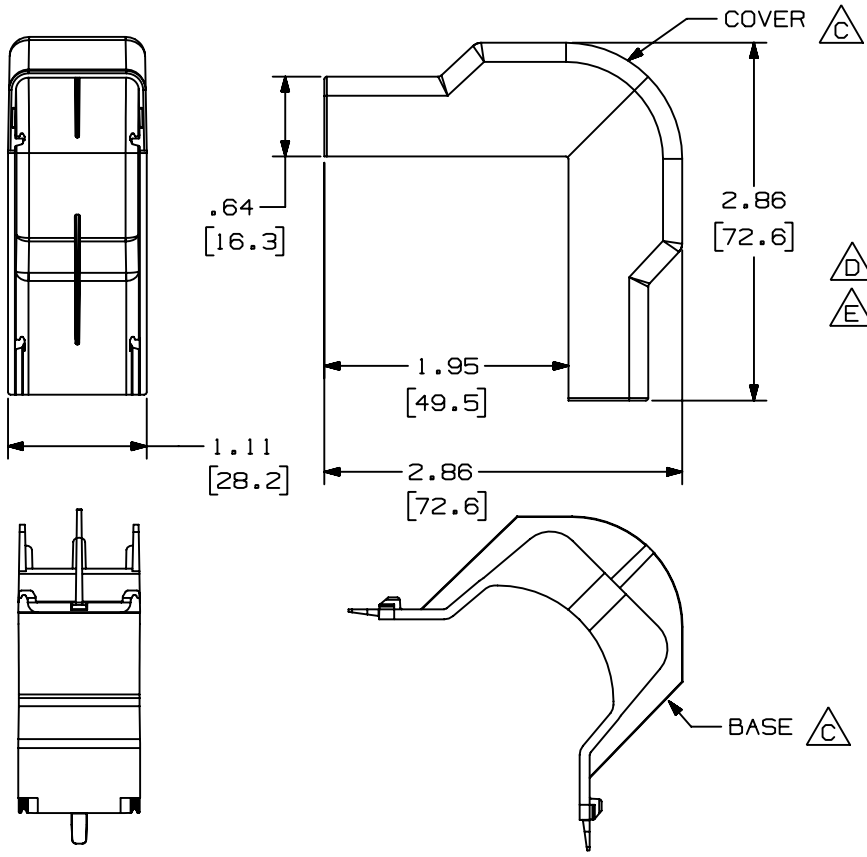
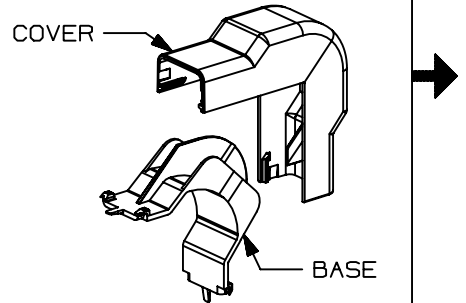


THIS COPY IS PROVIDED ON A RESTRICTED BASIS AND IS NOT TO BE USED IN ANY WAY DETRIMENTAL TO THE INTERESTS OF PANDUIT CORP.



PANDUIT PART NO.	WEIGHT
OCFX5	5.1 LB/100 PCS (2334 g/100 PCS)

- NOTES:
- SEE CURRENT CATALOG FOR ADDITIONAL PART NUMBER SUFFIXES TO INDICATE COLOR AND OR PACKAGE QUANTITY.
  - THIS PRODUCT IS INTENDED TO BE USED WITH PANDUIT TYPE LD5 AND LDP5 RACEWAY.
  - NOMINAL WALL THICKNESSES;  
BASE = .080 [2.0]  
COVER = .055 [1.4]
  - THIS PRODUCT IS FEATURED WITH THE TIA/EIA COMPLIANT BEND RADIUS.
  - DIMENSIONS IN PARENTHESIS ARE IN METRIC.



CAD FILENAME/LAYERS D35012BB\_LD\_OCFX5\_03.PRT

**PANDUIT** CORP. TINLEY PARK, ILLINOIS  
 OUTSIDE CORNER FITTING BASE AND COVER (OCFX5)  
 CUSTOMER DRAWING

REV	DATE	BY	CHK	DESCRIPTION	ECN	CHK	CUST	SUP
3	03-15-04	JHEP	RGRO	E. REMOVED CD5 FROM NOTE 2.	35012-02	RGRO	RGRO	
2	03-30-99	DW	HIW	D. REVISED NOTE 2 WAS LD2P5 RACEWAY. C. REVISED PICTURES.	35012-02	HIW	HIW	
1	09-05-96	JBA	CEF	B. UPDATED METRIC DIMENSIONS. A. REV'D MATERIAL: WAS PVC.	35012-02	CEF	CEF	
R	11-09-95	DW	CEF	RELEASED TO PRODUCTION	35012-02	CEF		

UNLESS OTHERWISE SPECIFIED, DIMENSIONAL TOLERANCES ARE: (.X) ± (.XXX) ±.015 [.4] (.XX) ±.03 [.8] ANGLES ±		UNLESS OTHERWISE SPECIFIED, ALL DIMENSIONS ARE GIVEN IN INCHES, THIRD ANGLE PROJECTION.	
DRAWN BY DW	MAT'L: ABS/PC	SCALE NONE	
DATE 11-09-95	A	DRAWING NO. 35012-02	DWG A
CHECKED BY CEF		SIZE	