

THIS COPY IS PROVIDED ON A RESTRICTED BASIS AND IS NOT TO BE USED IN ANY WAY DETRIMENTAL TO THE INTERESTS OF PANDUIT CORP.

PANDUIT PART #	STUD SIZE	DIMENSIONS - in. [mm]				
		A ± .02 [0,5]	W ± .01 [0,3]	C ± .02 [0,5]	M ± .02 [0,5]	H ± .01 [0,3]
P14-6LF	#6	.70 [17,78]	.25 [6,35]	.22 [5,59]	.48 [12,19]	.15 [3,81]
P14-6LFW	#6	.70 [17,78]	.29 [7,37]	.22 [5,59]	.48 [12,19]	.15 [3,81]
P14-8LF	#8	.77 [19,56]	.29 [7,37]	.27 [6,86]	.53 [13,46]	.17 [4,32]
P14-10LF	#10	.77 [19,56]	.33 [8,38]	.27 [6,86]	.53 [13,46]	.20 [5,08]
P14-10LFN*	#10	.77 [19,56]	.29 [7,37]	.27 [6,86]	.53 [13,46]	.20 [5,08]

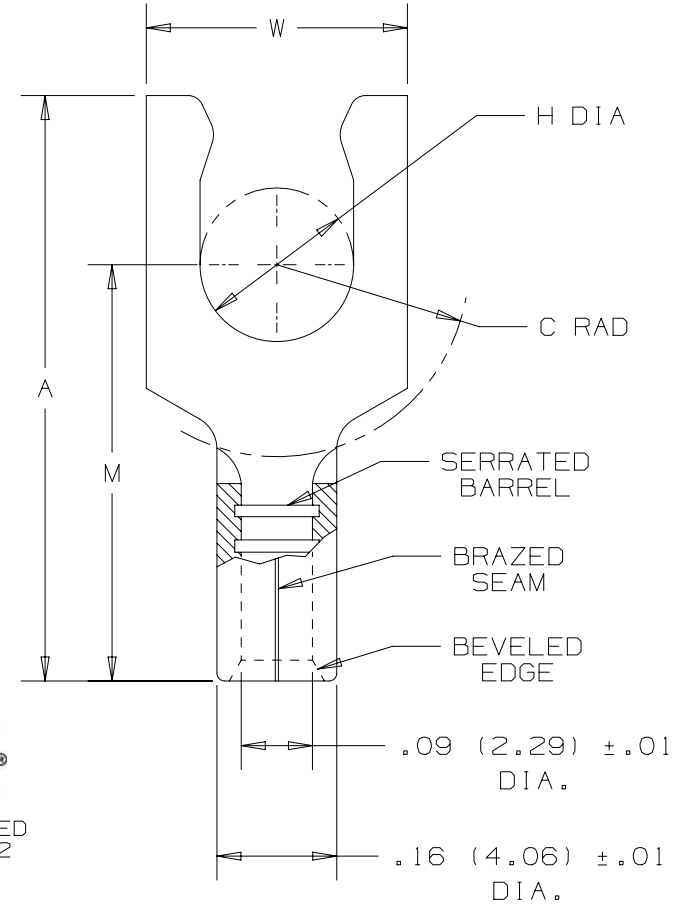
*NOT CSA CERTIFIED

NOTES:

- UL LISTED & CSA CERTIFIED FOR:
 - #18-14 AWG SOLID OR STRANDED COPPER WIRE
 - 302°F [150°C] MAX TEMP RATING
 - 2000 VOLTS MAX
- SEE WWW.PANDUIT.COM FOR PACKAGE QUANTITIES
- MATERIAL:
 - STAMPING - .03" [0,8] THK COPPER, TIN PLATED
- DIMENSIONS IN BRACKETS ARE IN MILLIMETERS
- WIRE STRIP LENGTH: $9/32" \begin{smallmatrix} +1/32 \\ -0 \end{smallmatrix}$ [7,1mm $\begin{smallmatrix} +0,8 \\ -0 \end{smallmatrix}$]

UL & CSA TOOLS
CT-100A CT-200 CT-600-A (CT-570CH) CT-1570 CT-2500 (CT-2570CH)

PANDUIT APPROVED TOOLS
CT-160 CT-260



TITLE		#18-14 BARREL NON-INSULATED LOCKING FORK	
CUSTOMER DRAWING			
ITEM REVISION NAME	N41054BA/09	PANDUIT	
DATASET FILE NAME	N41054BA/09		
UNLESS OTHERWISE SPECIFIED, DIMENSIONAL TOLERANCES ARE: IN [mm]		MATERIAL: SEE NOTE 3	
$.X \pm$ $.XX \pm$		$.XXX \pm$ ANGLES \pm	
THIRD ANGLE PROJECTION		DRAWING NUMBER: A41054	
DRAWN BY	MS	SCALE	NONE
DATE		CHK	RLS
DESCRIPTION		SHT 1 OF 1	
ECN		A	

REV	DATE	BY	CHK	APR	DESCRIPTION	ECN
09	5/17	JHNU	TMR	RGB	ADDED CSA BACK TO DWG, UPDATED TOOL CHART FORMAT	N41054BA-A41054
08	06/14	MBY	JHNU	RGB	REVISED CERTIFICATIONS, REVISED NOTES, MOVED TOOLS TO TABLE, UPDATED BORDER	N41054BA-A41054

D101000DA/16