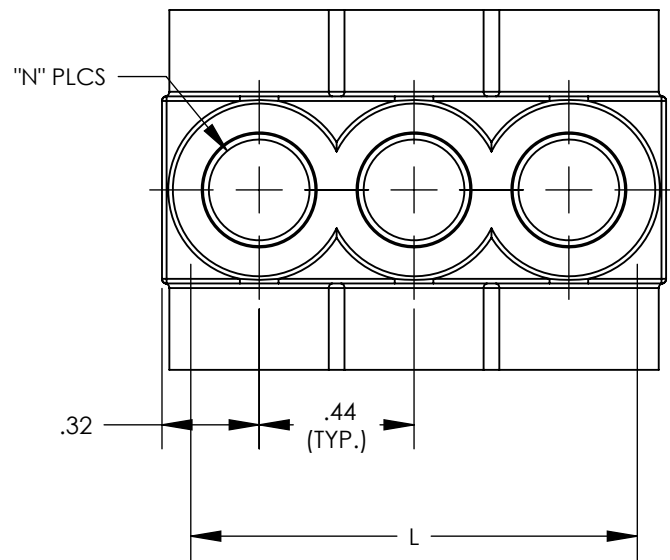
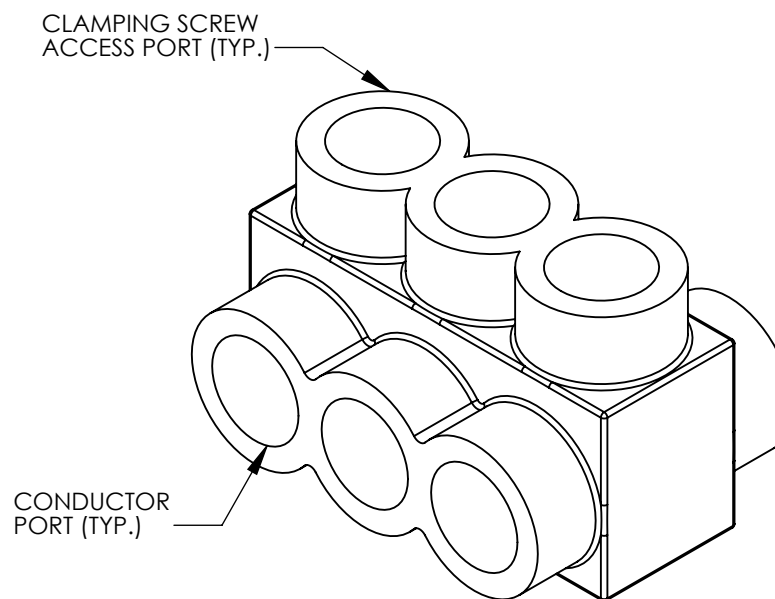
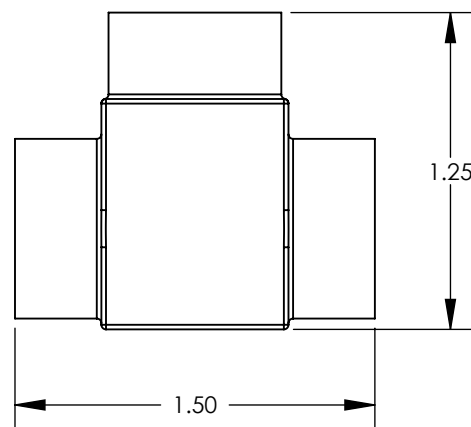
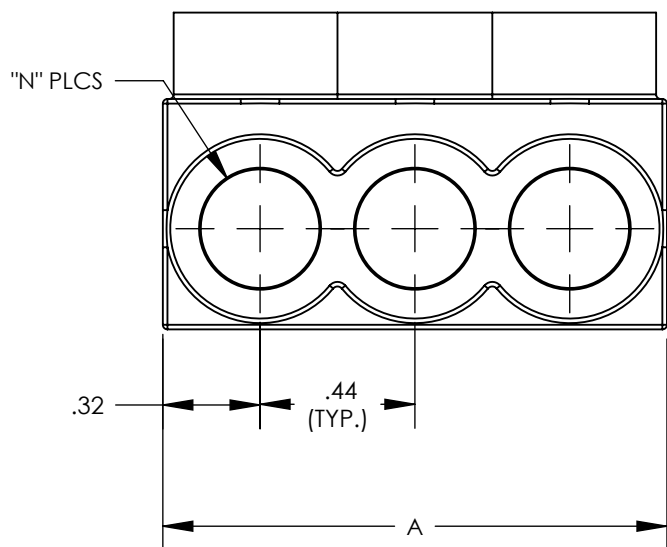


THIS COPY IS PROVIDED ON A RESTRICTED BASIS AND IS NOT TO BE USED IN ANY WAY DETRIMENTAL TO THE INTERESTS OF PANDUIT CORP.

PANDUIT PART NUMBER	CONDUCTOR RATING	HEX KEY	SCREW QUANTITY	CAP (SCREW PORT) QUANTITY	CAP (WIRE PORT) QUANTITY	A	L	N	TIGHTENING TORQUE
PCSB4-2-12Y	#4 - #14 STR #10 - #14 SOL	1/8"	2	2	4	1.08	0.83	2	#10 - #14 = 45 IN-LBS #4 - #8 = 50 IN-LBS
PCSB4-3-12Y			3	3	6	1.518	1.268	3	
PCSB4-4-6Y			4	4	8	1.956	1.706	4	
PCSB4-5-6Y			5	5	10	2.394	2.144	5	
PCSB4-6-6Y			6	6	12	2.832	2.582	6	
PCSB4-8-4Y			8	8	16	3.708	3.458	8	
PCSB4-10-4Y			10	10	20	4.584	4.334	10	
PCSB4-12-3Y			12	12	24	5.46	5.21	12	
PCSB4-14-2Y			14	14	28	6.336	6.086	14	



THREE PORT CONNECTOR BLOCK SHOWN WITH PLASTIC CLOSURE PLUGS REMOVED. SEE TABLE FOR DIMENSIONS OF PARTS WITH ADDITIONAL PORTS



NOTES:

- UL486A-UL486B LISTED, DUAL RATED CU9AL FOR ALUMINUM OR COPPER CONDUCTORS. MEETS OR EXCEEDS ANSI C119.4
- SEE TABLE FOR WIRE RANGE.
- STRIP LENGTH: .56 +.06/-0
- SEE PACKAGE LABEL FOR TIGHTENING TORQUE SPECIFICATIONS.
- VOLTAGE RATING: 600 V. MAX. BUILDING WIRE, 1000 V. MAX. IN SIGNS & FIXTURES.
- TEMPERATURE RATING: 90 °C (CU9AL).
- CONNECTOR BLOCK BODY ARE MADE FROM ALUMINUM. CONDUCTOR PORTS IN CONNECTOR BLOCK ARE PREFILLED WITH AN OXIDE-INHIBITING COMPOUND.
- CONNECTOR TO INCLUDE ZINC PLATED STEEL CLAMPING SCREWS FOR EACH CONDUCTOR PORT.
- INSULATION MATERIAL IS CLEAR PVC.
- CLAMPING SCREW ACCESS PORTS AND ALL WIRE ENTRY PORTS ARE PROVIDED WITH REMOVABLE PLASTIC CLOSURE PLUGS.
- ALL DIMENSIONS SHOWN ARE NOMINAL.
- ONLY ONE CONDUCTOR PER PORT ALLOWED.
- PACKAGE QTY: -12 = 12 PCS.
-6 = 6 PCS.
-4 = 4 PCS.
- THIS PART IS RoHS COMPLIANT

REV	DATE	BY	CHK	APR	DESCRIPTION	ECN	TITLE	ITEM REVISION NAME	DATASET FILE NAME	MATERIAL	DRAWING NUMBER	SHEET 1 OF 1	SIZE
							MULTI-TAP INSULATED CONNECTORS PCSB4 SERIES CUSTOMER DRAWING	N41573BB-C41573/07	C41573/07.SLDDRW	SEE NOTES	C41573		B
07	6/19	JHNU	TMR	RGB	REVISED WIRE RANGE FORMAT REVISED TIGHTENING TORQUE	048653							
06	1/16	JHNU	JHNU	RGB	REVISED DIM: .32 WAS .42, .44 WAS .67 REVISED A AND L DIM'S FOR ALL PART NUMBERS REVISED NOTE 2: .56 WAS .50 REVISED NOTE 8: ZINC PLATED STEEL WAS TIN PLATED ALUM. REVISED NOTE 4	N41573BB-C41573							
05	2/13	JHNU	JHNU	RGB	REVISED TITLE BLOCK	N41573BB-C41573							

UNLESS OTHERWISE SPECIFIED, DIMENSIONAL TOLERANCES ARE: IN [mm]

.X ± .XX ± .02 .XXX ± ANGLES ±

THIRD ANGLE PROJECTION

PANDUIT