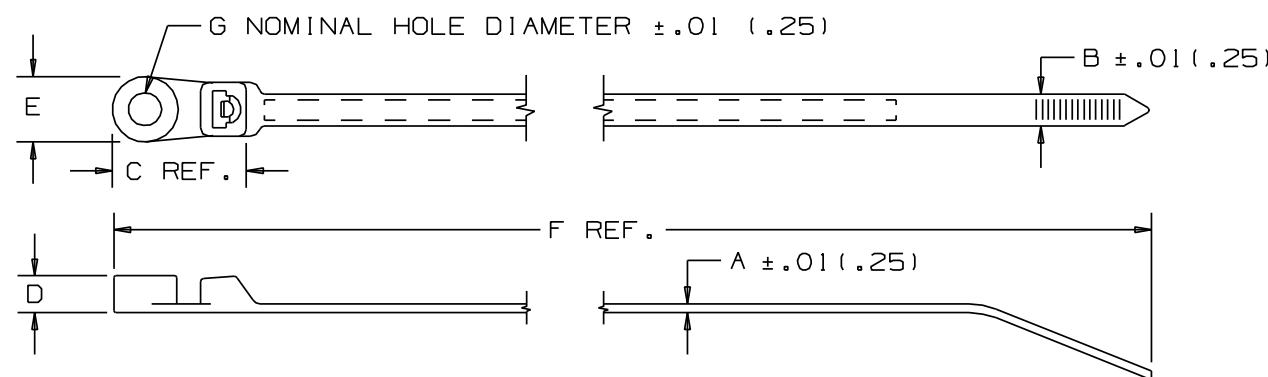
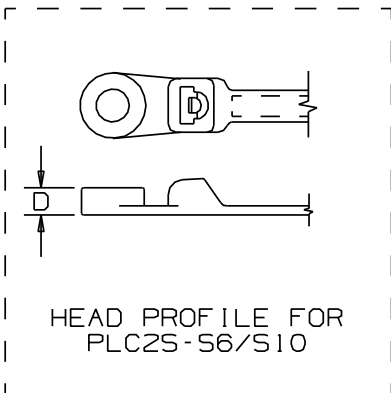


THIS COPY IS PROVIDED ON A RESTRICTED BASIS AND IS NOT TO BE USED IN ANY WAY DETRIMENTAL TO THE INTERESTS OF PANDUIT CORP.



PANDUIT PART NO.	BUNDLE DIA.		A In (mm)	B In (mm)	C In (mm)	D In (mm)	E In (mm)	F In (mm)	G In (mm)	MIN. LOOP TENSILE lbs (N)	CROSS-SECTION	RECM. FASTENER	WEIGHT lbs/100pcs (g)
	MIN. In (mm)	MAX. In (mm)											
PLC1M-S4	.06 (1.5)	.75 (19)	.045 (1.1)	.100 (2.5)	.542 (13.8)	.153 (3.9)	.239 (6.1)	4.3 (109.2)	.122 (3.1)	18 (80)	MINIATURE	#4 (M2.5) SCREW	.08 (36)
PLC1.5I-S8	.06 (1.5)	1.25 (32)	.045 (1.1)	.135 (3.4)	.694 (17.6)	.166 (4.2)	.335 (8.5)	6.1 (154.9)	.174 (4.4)	40 (178)	INTERMEDIATE	#8 (M4) SCREW	.18 (82)
PLC2S-S6	.06 (1.5)	1.84 (47)	.047 (1.2)	.190 (4.8)	.765 (19.4)	.160 (4.1)	.373 (9.5)	7.9 (200.7)	.148 (3.8)	50 (222)	STANDARD	#6 (M3) SCREW	.32 (145)
PLC2S-S10	.06 (1.5)	1.84 (47)	.047 (1.2)	.190 (4.8)	.765 (19.4)	.160 (4.1)	.373 (9.5)	7.9 (200.7)	.200 (5.1)	50 (222)	STANDARD	#10 (M5) SCREW	.32 (145)
PLC3S-S10	.06 (1.5)	3.00 (76)	.052 (1.3)	.190 (4.8)	.765 (19.4)	.220 (5.6)	.373 (9.5)	12 (304.8)	.200 (5.1)	50 (222)	STANDARD	#10 (M5) SCREW	.50 (227)
PLC4S-S10	.06 (1.5)	4.00 (102)	.052 (1.3)	.190 (4.8)	.765 (19.4)	.220 (5.6)	.373 (9.5)	15 (381.0)	.200 (5.1)	50 (222)	STANDARD	#10 (M5) SCREW	.59 (268)

NOTES:

\*1) SEE [www.panduit.com](http://www.panduit.com) FOR CURRENT PART NUMBER SUFFIX DESIGNATION AND FOR PACKAGE SIZE AND PART COLOR.

DIMENSIONS IN PARENTHESES ARE IN METRIC UNITS

REV	DATE	BY	CHK	APR	DESCRIPTION	ECN	TITLE	ITEM REVISION NAME	MATERIAL	DRAWING NUMBER	SIZE
19	8/13/13	BWG	KJM	RTFI	UPDATED TITLE BORDER, REVISED NOTES. SEE ECN FOR DETAILS.	SS-2724/19	<b>PAN-TY LOCKING CLAMP TIE - PLC SERIES</b>	W10001EH/00	NYLON 6.6	SS-2724	A
							<b>CUSTOMER DRAWING</b>	W10001EH/00-SS-2724_REV19			
							UNLESS OTHERWISE SPECIFIED, DIMENSIONAL TOLERANCES ARE: IN   mm				
							***   .020   .51				
							**   .02   .51				
							THIRD ANGLE PROJECTION				
							DRAWN BY: L.V./AJC	DATE: 2-11-71	CHK: HVP	SCALE: NONE	SHT 1 OF 1

D101000A/16