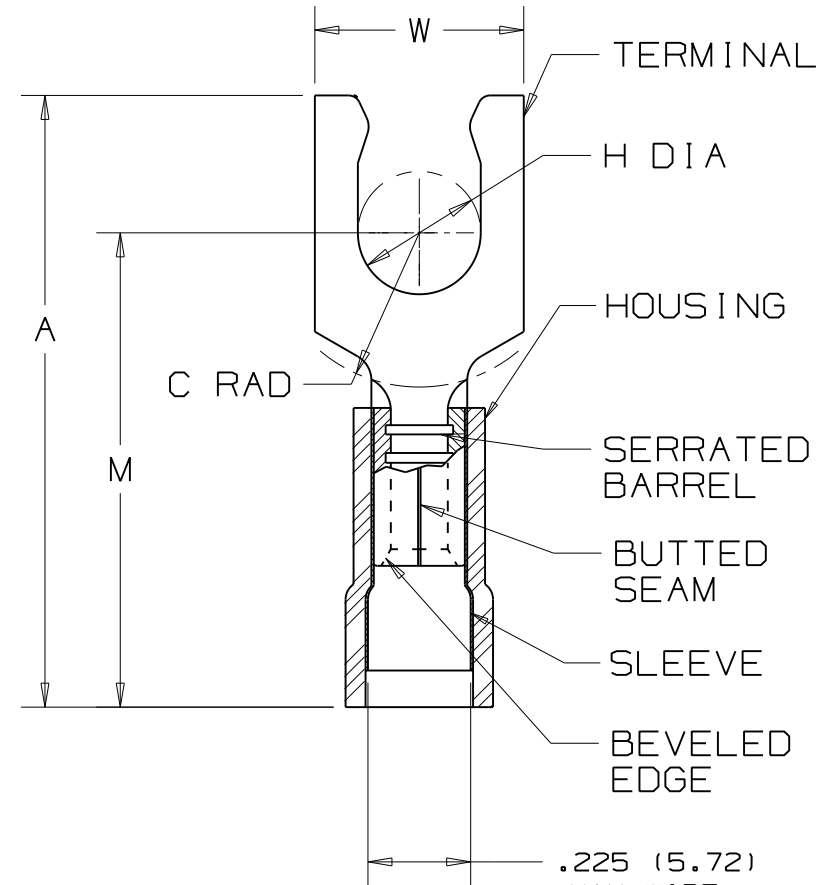


PANDUIT PART NUMBER	STUD SIZE	DIMENSIONS in.				
		A ±.04	W ±.01	C MIN	M ±.04	H ±.01
PN10-6LF	#6	1.02 (25.91)	.30 (7.62)	.23 (5.84)	.79 (20.07)	.14 (3.56)
PN10-8LF	#8	1.05 (26.67)	.30 (7.62)	.23 (5.84)	.79 (20.07)	.16 (4.06)
PN10-10LF	#10	1.05 (26.67)	.34 (8.64)	.23 (5.84)	.79 (20.07)	.19 (4.83)
PN10-14LF	1/4"	1.17 (29.72)	.46 (11.68)	.32 (8.13)	.90 (22.86)	.25 (6.35)

NOTES:

- UL LISTED AND CSA CERTIFIED FOR:
  - 600V. MAX. BLDG WIRE  
(1000 V. MAX IN SIGNS, FIXTURES & LUMINARIES)
  - #14-10 AWG SOLID OR STRANDED  
COPPER WIRE WITH THE CT-550  
INSTALLATION TOOL.
  - #12-10 AWG STRANDED AND NO.12 AWG  
SOLID COPPER WIRE WITH THE CT-1550  
AND CT-1551 INSTALLATION TOOLS.
  - 221°F (105°C) MAX TEMP. RATING
- MATERIAL:
  - STAMPING - .04" (1.02) THK COPPER, TIN PLATED
  - HOUSING - NYLON, YELLOW
  - SLEEVE - BRASS, TIN PLATED
- STRIP LENGTH -  $9/32 +^{1/32}_{-0}$
- SEE [www.panduit.com](http://www.panduit.com) FOR PART NUMBER  
SUFFIX DESIGNATION FOR PACKAGE SIZE.
- DIMENSIONS IN BRACKETS ARE IN MILLIMETERS



LISTED  
587H  
E52164



CERTIFIED  
LR31212

09	5/11	SB		REVISED NOTE # 4					
REV	DATE	BY	CHK	DESCRIPTION	ECN	CUST	PM	DRAWN BY	CHK'D

**PANDUIT**

CORP.

TINLEY PARK, ILLINOIS

#12-10 BARREL NYLON INSULATED  
LOCKING FORK, .225 (5.72) MAX.  
WIRE INSULATION DIAMETER

DRAWN BY DAW	CHK'D LA	SCALE NONE	DRAWING NO. A41292
-----------------	-------------	---------------	-----------------------