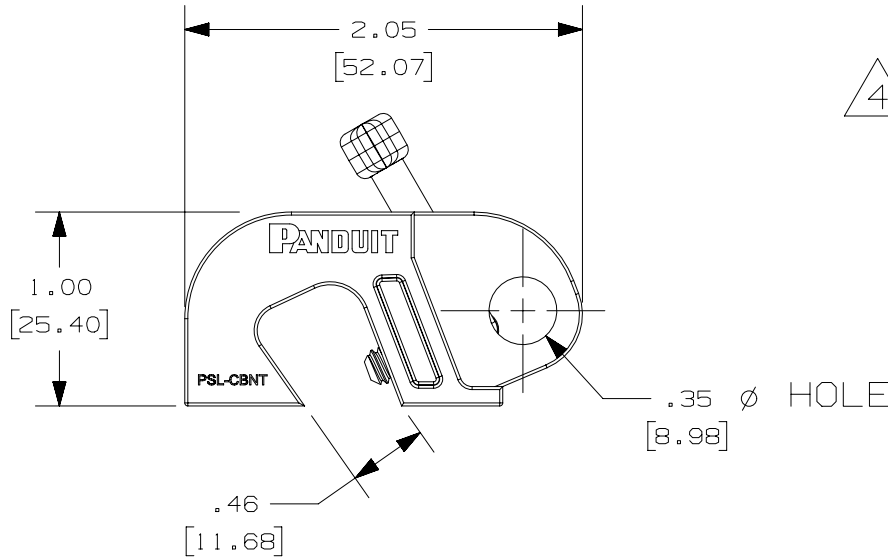
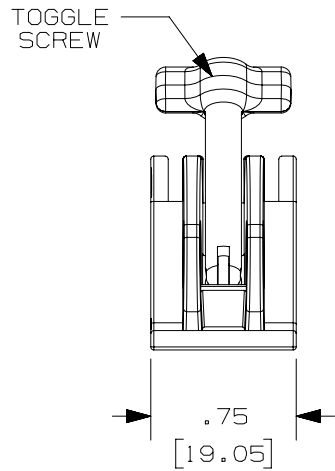
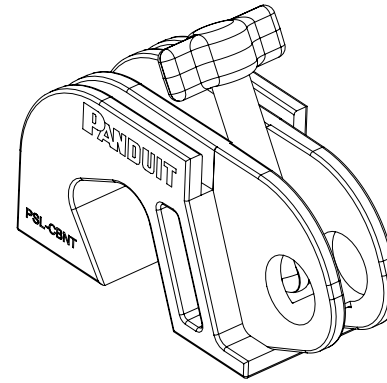


THIS COPY IS PROVIDED ON A RESTRICTED BASIS AND IS NOT TO BE USED IN ANY WAY DETRIMENTAL TO THE INTERESTS OF PANDUIT CORP.

PART NUMBER	PACKAGE QTY.
PSL-CBNT	1
PSL-CBNT-V	5

NOTES:

1. MILLIMETERS ARE SHOWN IN BRACKETS.



NOTES:

- [] DENOTE MILLIMETERS
- TOGGLE SCREW CAP IS SAME MATERIAL AS DEVICE BODY. TOGGLE SCREW IS 303 STAINLESS STEEL
- OPERATING TEMPERATURE -40°F (-40°C) TO 250°F (121°C)
- EXCELLENT CHEMICAL RESISTANCE TO THE FOLLOWING:
SULFURIC ACID, HYDROCHLORIC ACID, SODIUM HYDROXIDE, METHYL ETHYL KETON, ACETONE, 1,1,1 TRICHLOROETHANE, METHANOL, IPA, ASTM #3 OIL, SAE 20 OIL, ALCONOX, TOLUENE, MINERAL SPIRITS, GLACIAL ACETIC ACID, DIESEL FUEL, HEPTANE, CELLOSOLVE ACETATE, AMMONIA, TURPENTINE, KEROSENE, WATER, AND GASOLINE
- FOR USE INDOOR AND OUTDOOR
- MAX SWITCH HANDLE WIDTH: .35 [8.9]

REV	DATE	BY	CHK	APR	DESCRIPTION	ECN
4	4/18/17	RVU	DJW	JHAC	ADD NOTES FROM 1 THRU 6. CHANGE MATERIAL FROM RED NYLON TO RED 33% GLASS-FILLED NYLON. ADD ISO VIEW.	GAECN04096
3	8/15/14	RVU	MJPF	MSAD	REMOVE PN, PSL-CBNTG.	GAECN02251
2	5/12/14	RVU	MJPF	MSAD	REVERSE THE RIGHT VIEW. CREATED NEW TABLE FOR FINISHED PART NUMBERS. ADDED PSL-CBNT-V, AND PSL-CBNTG TO DWG.	GAECN01969
1	2/18/12	RVU			UPDATE PSL-CBNT LOCKOUT TO REPLACE OLD SCREW TO THE NEW TOGGLE SCREW.	6711
R	3/28/03	RVU			DRAWING RELEASE.	3224

TITLE		PSL-CBNT, & PSL-CBNT-V NO-TOOL CIRCUIT BREAKER LOCKOUT DEVICE CUSTOMER DRAWING		
ITEM REVISION NAME		100295EG/06		
DATASET FILE NAME		100295EG_DC_C10019/06E		
UNLESS OTHERWISE SPECIFIED, DIMENSIONAL TOLERANCES ARE: IN [mm]		MATERIAL: RED 33% GLASS-FILLED NYLON		
.x ± .1 [2.54] .xxx ± .005 [0.127]		DRAWING NUMBER: C10019		
.xx ± .01 [0.25] ANGLES ± 5°		THIRD ANGLE PROJECTION		
DRAWN BY	DATE	CHK	SCALE	SIZE
RVU	3/28/03	MSAD	NTS	SHT 1 OF 1 A