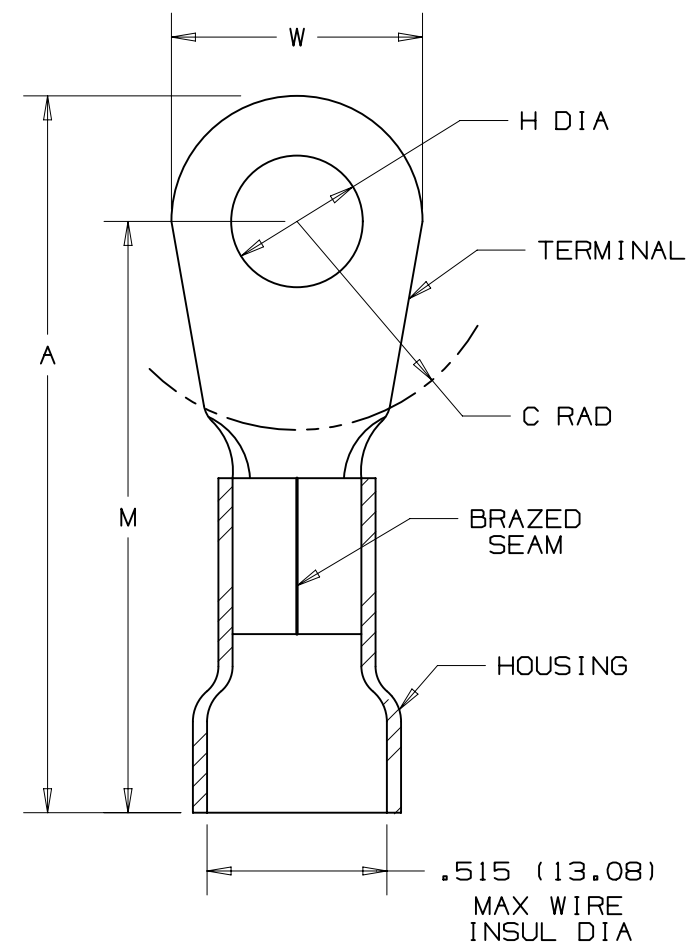


THIS COPY IS PROVIDED ON A RESTRICTED BASIS AND IS NOT TO BE USED IN ANY WAY DETRIMENTAL TO THE INTERESTS OF PANDUIT CORP.

PANDUIT PART NUMBER	STUD SIZE	DIMENSIONS - in.					TOOLS
		A ± .03	W ± .01	C ± .02	M ± .03	H ± .01	
PV4-10RX	#10	1.87 (47.50)	.55 (13.97)	.53 (13.46)	1.60 (40.64)	.20 (5.08)	CT-720 (CD-720PV8-2) CT-2600 (CD-2600-PV4)
PV4-14RX	1/4"	1.87 (47.50)	.55 (13.97)	.53 (13.46)	1.60 (40.64)	.27 (6.86)	
PV4-56RX	5/16"	1.94 (49.28)	.68 (17.27)	.53 (13.46)	1.60 (40.64)	.33 (8.38)	
PV4-38RX	3/8"	1.94 (49.28)	.68 (17.27)	.53 (13.46)	1.60 (40.64)	.39 (9.91)	
PV4-12RX	1/2"	2.03 (51.56)	.86 (21.84)	.53 (13.46)	1.60 (40.64)	.52 (13.21)	

NOTES:

- cULus LISTED FOR:
 - A. 600V MAX VOLTAGE RATING
 - B. 221° F (105° C) MAX TEMP RATING
 - C. #4 AWG STRANDED COPPER WIRE
- SEE WWW.PANDUIT.COM FOR PACKAGE QUANTITIES
- MATERIAL:
 - A. STAMPING - .050" (1.27) THK, COPPER TIN PLATED
 - B. HOUSING - VINYL, YELLOW
- DIMENSIONS IN BRACKETS ARE IN MILLIMETERS
- WIRE STRIP LENGTH: $1/2 + 1/32$ (12.7 + .8) - 0



REV	DATE	BY	CHK	APR	DESCRIPTION	ECN
06	09/14	JHNU	JHNU	RGB	REVISED DIE NUMBER: CD-2600-PV4 WAS CD-2600-PV6	N41221BB-A41221
05	06/14	MBY	JHNU	RGB	REVISED UL LOGO TO cULus LOGO, REVISED NOTES, MOVED TOOLS TO TABLE, UPDATED BORDER	N41221BB-A41221

TITLE		#4 VINYL INSULATED RING TONGUE .515 [13.08] MAX. WIRE INSUL. DIAMETER	
ITEM REVISION NAME		N41221BB/06	
DATASET FILE NAME		N41221BB/06	
UNLESS OTHERWISE SPECIFIED, DIMENSIONAL TOLERANCES ARE: IN [mm]		MATERIAL: SEE NOTE 3	
DRAWING NUMBER: A41221		DRAWING NUMBER: A41221	
DRAWN BY	DATE	CHK	SCALE
DAW			NONE
SHT 1 OF 1		A	

D10100DA/16