

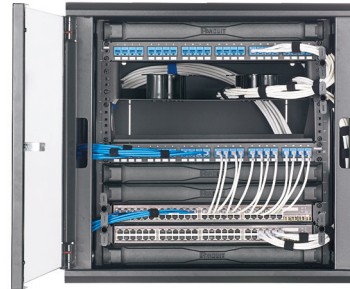
# PanZone® Wall Mount Cabinet

# PANDUIT®

SPECIFICATION SHEET

## specifications

Hinged wall mount cabinet shall be constructed from steel and capable of managing 12, 18, or 26 rack units of active and passive networking equipment. The cabinet shall have hinged doors on front and back for complete access to networking equipment. The cabinet shall have removable and locking side panels. Cabinet shall allow use of standard length patch cords and have capabilities for managing all patch cord slack without blocking ventilation openings or vertical pathways. Cabinet shall be engineered to allow proper climate control for use with various networking equipment including Power over Ethernet (PoE) switches and Uninterrupted Power Supplies (UPS).



## technical information

**Standards:** Accepts 19" EIA rack mount panels and equipment.

**Performance:** Tested to 2X the working load rating  
 12RU 250 lbs.  
 18RU 300 lbs.  
 26RU 350 lbs.

**Packaging:** Cabinet and keys, locks, two adjustable #12-24 threaded rails, removable cover panel for vent on top of cabinet, assembly hardware and rear cable routing accessory kit.

Part Number	No. of Rack Units	Height In. (mm)	Width In. (mm)	Depth In. (mm)
PZWMC12*	12	23.8 (605)	25.0 (635)	25.0 (635)
PZWMC1230*	12	23.8 (605)	25.0 (635)	30.0 (762)
PZWMC18*	18	34.0 (864)	25.0 (635)	25.0 (635)
PZWMC1830*	18	34.0 (864)	25.0 (635)	30.0 (762)
PZWMC26*	26	48.1 (1224)	25.0 (635)	25.0 (635)
PZWMC2630*	26	48.1 (1224)	25.0 (635)	30.0 (762)
PZWMC1230WH	12	23.8 (605)	25.0 (635)	30.0 (762)
PZWMC1830WH	18	34.0 (864)	25.0 (635)	30.0 (762)
PZWMC2630WH	26	48.1 (1224)	25.0 (635)	30.0 (762)

## key features and benefits

**Structurally engineered design** Allows cabinet to swing freely for easy operation even under maximum load capacity

**Horizontal slack manager (available)** Improves cable routing by enabling front accessible moves, adds, and changes; increases airflow through the cabinet because patch cords are no longer in the vertical channel blocking side ventilation

**Thermal management system** Optimizes airflow for improved heat dissipation from various switches and power supplies

**Fan kits (available)** Provides additional ventilation for multiple switches or PoE enabled devices; use in cabinets with a windowed door

**Adjustable equipment rails (0.9" increments)** Increases usable cabinet depth by accommodating various equipment including 1 RU or 2 RU PoE switches up to 26.8" deep. The cabinet will also accommodate 2.3" of room in the front of the cabinet for patch cords and cable management

**Rack spaces identification** Allows for quick and easy location of rack spaces speeding installation of horizontal rack mount products

**Grounding kit (available)** Complies with TIA/EIA grounding and bonding specifications

**Removable and locking side panels** Allows for easy, secured access to installed equipment and cable routing

## applications

The PanZone® Wall Mount Cabinet is a zone cabling solution for connecting anywhere from 96 zsecurity is a concern. There are two options for cable routing and management inside the cabinet. The optional horizontal slack manager can be installed between an active network switch and patch panel to manage the patch cords, which is especially useful for high-density applications. This method allows for improved airflow and cooling of network equipment and is of particular benefit for

PoE applications. The second option is to use traditional horizontal cable managers located adjacent to the patch panels to route the patch cords and any slack should be bundled in the cabinet's vertical channel. Optional rear equipment rails provide additional support for network equipment up to 26.8" deep, providing versatility for greater range of applications.

## PanZone® Wall Mount Cabinets

**Windowed Door:** PZWMC12^  
 PZWMC1230^  
 PZWMC18^  
 PZWMC1830^  
 PZWMC26^  
 PZWMC2630^  
**White:** PZWMC1230WH  
 PZWMC1830WH  
 PZWMC2630WH

## PanZone® Cable Management Options

**Horizontal slack manager:** PZCHSM2  
**Cable bend radius post, 3":** PZBR3  
**Cable bend radius post, 3.5":** PZBR3.5  
**Cable bend radius post, 4":** PZBR4  
**Strain relief bracket, 2" offset:** SRB19BLY

## PanZone® Accessories

**Fan kit, 51 cfm:** PZCFK  
**Fan kit, 120 cfm:** PZWCMCFKHF  
**Fan filter replacement:** PZCFR  
**Grounding kit:** PZWCMCGK  
**Rear equipment rails kit, #12-24 threaded:** PZWMC12RR  
 PZWMC18RR  
 PZWMC26RR  
 PZWMC12RRWH  
 PZWMC18RRWH  
 PZWMC26RRWH

**White:**

**Combination Lock Kit:** PZWMC-CL  
**1 RU Shelf:** SRM19FM1  
**2 RU Shelf:** SRM19FM2

## PanZone® Solid UTP Patch Cords\*\*

**Cat. 6A, plenum, plug to plug, blue:** UZPPBU  
**Cat. 6, plenum, plug to plug, blue:** UPPBU\*

## PanZone® Solid STP Patch Cords\*\*

**Cat. 6A, plenum, plug to plug, blue:** SAPPBU\*

## Power Strips 19" Horizontal

**15 A:** P12B01M  
**20 A:** P12B19M

## Mini-Com® Ultimate ID® Modular Patch Panels

**24-port:** UICMPP24BLY  
**48-port:** UICMPP48BLY

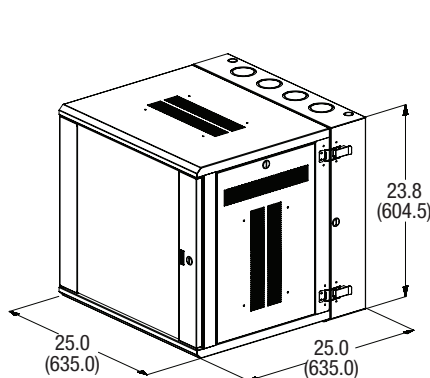
Replace ^ with W for windowed doors or P for perforated doors.

\*Zone cords are available in 10 to 100 ft. lengths in 5 ft. increments. And 100 to 150 ft. lengths in 10 ft. increments.

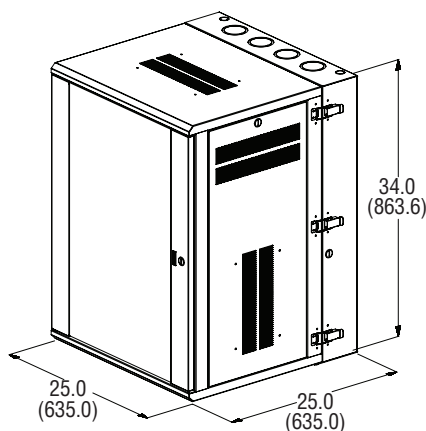
\*\*Plug to Plug versions are listed. Jack to Plug and Jack to Jack options are also available.

# PanZone® Wall Mount Cabinet

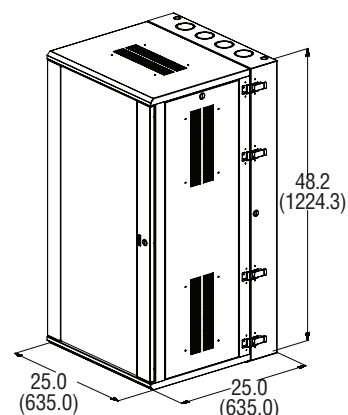
Part Number	Number of Rack Units	Depth In. (mm)	Load Rating Lbs. (kg)	Door
PZWMC12W	12	25 (635)	250 (113.4)	Windowed
PZWMC12P				Perforated
PZWMC1230W		30 (762)		Windowed
PZWMC1230P				Perforated
PZWMC18W	18	25 (635)	300 (136.1)	Windowed
PZWMC1830P				Perforated
PZWMC1830W		30 (762)		Windowed
PZWMC1830P				Perforated
PZWMC26W	26	25 (635)	350 (158.8)	Windowed
PZWMC26P				Perforated
PZWMC2630W		30 (762)		Windowed
PZWMC2630P				Perforated



**PZWMC12W – Wall Mount Cabinet with windowed door**

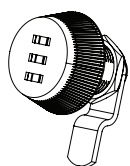


**PZWMC18W – Wall Mount Cabinet with windowed door**

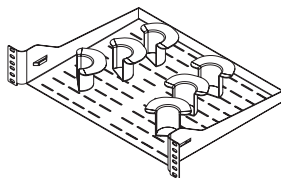


**PZWMC26W – Wall Mount Cabinet with windowed door**

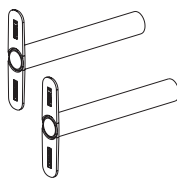
## PanZone® Wall Mount Cabinet Cable Management Options and Accessories



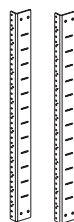
**PZWMC-CL  
Combination  
Lock**



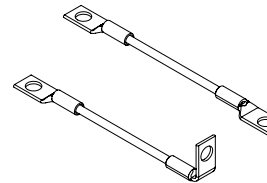
**PZCHSM2  
Horizontal Slack  
Manager, 2 RU**



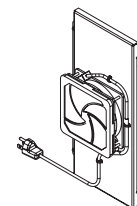
**PZBR4  
4" Bend Radius  
Post Kit**



**PZWMC\*\*RR  
Rear Equipment  
Rail Kit**



**PZWMC GK  
Grounding Kit**



**PZCFK  
Fan Kit**

\*\*12, 18, or 26 to align with Wall Mount Cabinet size. Dimensions are in inches. [Dimensions in parenthesis are metric]

### WORLDWIDE SUBSIDIARIES AND SALES OFFICES

PANDUIT US/CANADA  
Phone: 800.777.3300

PANDUIT EUROPE LTD.  
London, UK  
Phone: 44.20.8601.7200

PANDUIT SINGAPORE PTE. LTD.  
Republic of Singapore  
Phone: 65.6305.7575

PANDUIT JAPAN  
Tokyo, Japan  
Phone: 81.3.6863.6000

PANDUIT LATIN AMERICA  
Guadalajara, Mexico  
Phone: 52.33.3777.6000

PANDUIT AUSTRALIA PTY. LTD.  
Victoria, Australia  
Phone: 61.3.9794.9020

For a copy of Panduit product warranties, log on to [www.panduit.com/warranty](http://www.panduit.com/warranty)

For more information

Visit us at [www.panduit.com](http://www.panduit.com)

Contact Customer Service by email: [cs@panduit.com](mailto:cs@panduit.com)  
or by phone: 800.777.3300

**PANDUIT®**

© 2020 Panduit Corp.  
ALL RIGHTS RESERVED.  
ZCSP31--WW-ENG  
2/2020