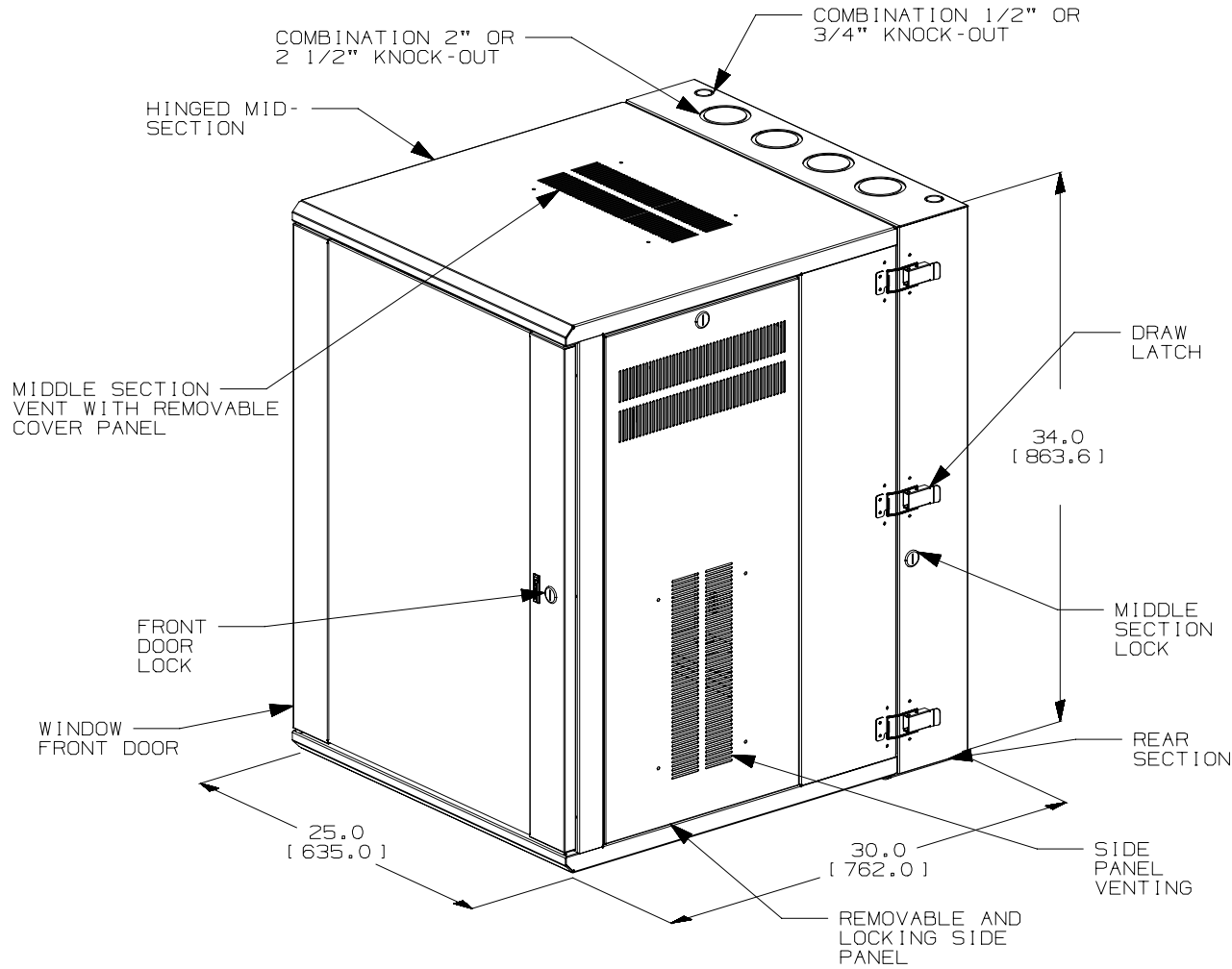


THIS COPY IS PROVIDED ON A RESTRICTED BASIS AND IS NOT TO BE USED IN ANY WAY DETRIMENTAL TO THE INTERESTS OF PANDUIT CORP.



PANDUIT PART NO.	COLOR	WEIGHT
PZWMC1830W	BLACK	137 LBS/EACH
PZWMC1830WH	WHITE	62.1 kg/EACH

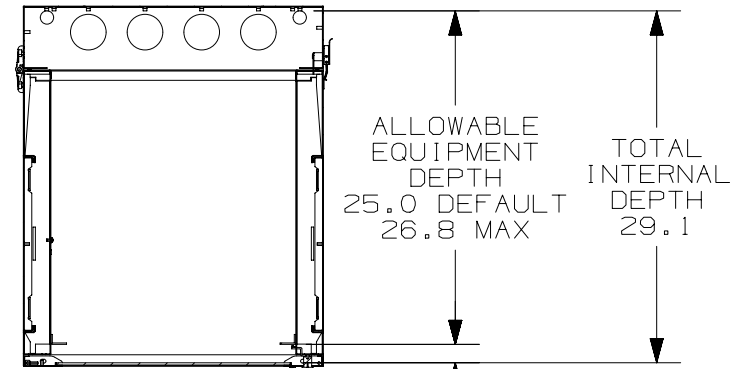
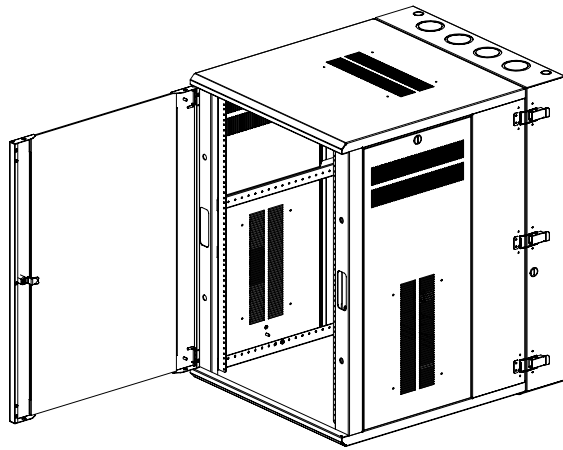
NOTES:

- VISIT OUR ON-LINE CATALOG AT WWW.PANDUIT.COM FOR A LIST OF CURRENT PARTS APPLICABLE FOR USE WITH THIS PRODUCT.
- DIMENSIONS IN PARENTHESES ARE METRIC (mm).
- CAN BE USED WITH ANY 19" EIA STANDARD COMPONENT UP TO 25" DEEP WITH ROOM FOR PATCH CORDS OR 26.8" DEEP WITH THE RAILS IN FORWARD MOST POSITION.
- 18 AVAILBLE RACK SPACES.
- VERTICAL EQUIPMENT MOUNTING ANGLES ARE ADJUSTABLE FRONT TO REAR OF CABINET IN .9" INCREMENTS.
- LOAD CAPACITY, 300-LBS.
- INSTALLS IN EITHER A HINGED RIGHT OR HINGED LEFT APPLICATION.
- FRONT ACCESS THROUGH DOOR; REAR ACCESS THROUGH HINGED MID-SECTION.
- PARTS SUPPLIED: (12) - #12-24 SCREWS
(1) - ROLL OF TAK-TY
(3) - SETS OF KEYS
(1) - SPARE DOOR HINGE SPACER

REV	DATE	BY	CHK	APR	DESCRIPTION	ECN
00B	8-12-19	BJN	KZU	BETL	ADDED WHITE CABINET OPTION	M09000JW
00A	9-27-18	TWV	KZU	JEFK	RELEASED TO PRODUCTION	00198EAE-DC

TITLE PANZONE 18RU, 30" DEEP HINGED WALL MOUNT CABINET (PZWMC1830W) WINDOW DOOR CUSTOMER DRAWING	
ITEM REVISION NAME 00198EAE/00.PRT	PANDUIT
DATASET FILE NAME 00198EAE_DC/00B.PRT	
UNLESS OTHERWISE SPECIFIED, DIMENSIONAL TOLERANCES ARE: IN (mm)	
MATERIAL: CABINET - STEEL WINDOW DOOR - TEMPERED SAFETY GLASS	
DRAWING NUMBER: 00198EAE-DC	
DRAWN BY TWV	DATE 9-27-18
CHK KZU	SCALE NONE
SHT 1 OF 2	
SIZE A	

THIS COPY IS PROVIDED ON A RESTRICTED BASIS AND IS NOT TO BE USED IN ANY WAY DETRIMENTAL TO THE INTERESTS OF PANDUIT CORP.

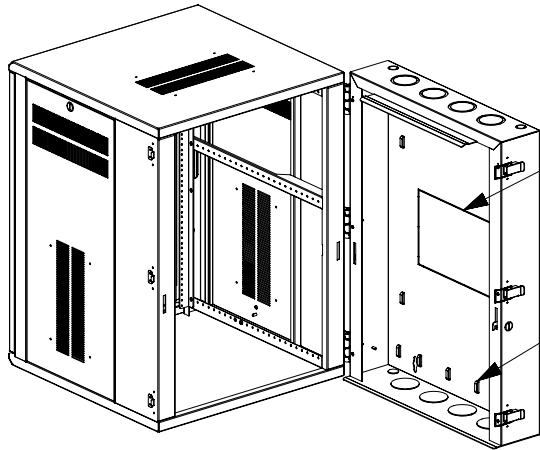


SECTION A - A
EQUIPMENT RAIL
SPACING

ALLOWABLE
EQUIPMENT
DEPTH
25.0 DEFAULT
26.8 MAX

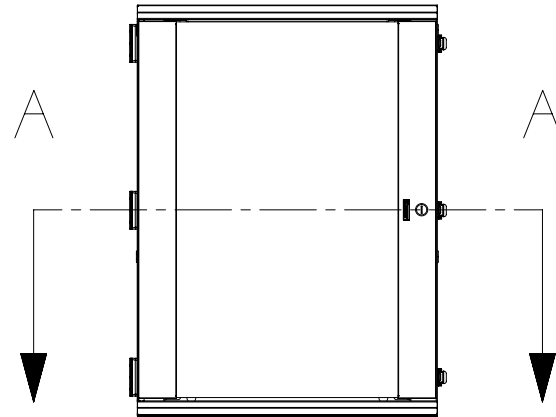
TOTAL
INTERNAL
DEPTH
29.1

CABLE
MANAGEMENT
DEPTH
4.1 DEFAULT
2.3 MINIMUM



15" X 8.5"
RECTANGULAR
KNOCK - OUT

CABLE TIE
POINTS



FRONT VIEW

REV	DATE	BY	CHK	APR	DESCRIPTION	ECN
00B	8-12-19	BJN	KZU	BETL	SEE SHEET ONE FOR REVISIONS	M09000JW\
00A	9-27-18	TWV	KZU	JEFK	SEE SHEET ONE FOR REVISIONS	00198EAE-DC

TITLE PANZONE 18RU, 30" DEEP HINGED WALL MOUNT CABINET (PZWMC1830W) WINDOW DOOR CUSTOMER DRAWING					
ITEM REVISION NAME 00198EAE/00.PRT	PANDUIT				
DATASET FILE NAME 00198EAE_DC/00B.PRT					
UNLESS OTHERWISE SPECIFIED, DIMENSIONAL TOLERANCES ARE: IN (mm)					
MATERIAL: CABINET - STEEL WINDOW DOOR - TEMPERED SAFETY GLASS					
DRAWING NUMBER: 00198EAE - DC					
DRAWN BY TWV	DATE 9-27-18	CHK KZU	SCALE NONE	SHT 2 OF 2	SIZE A