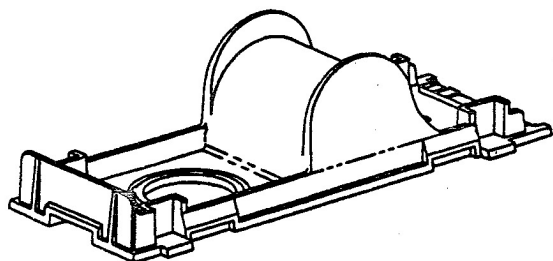
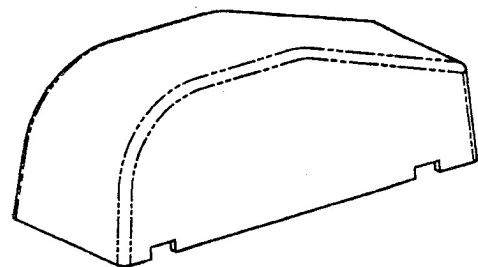
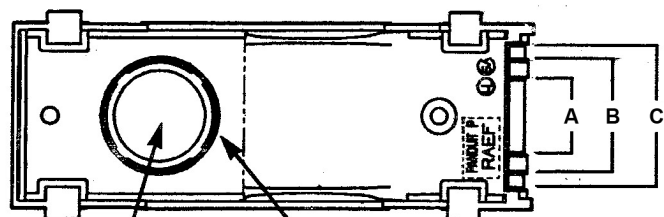


G

Part Number: RAEFX

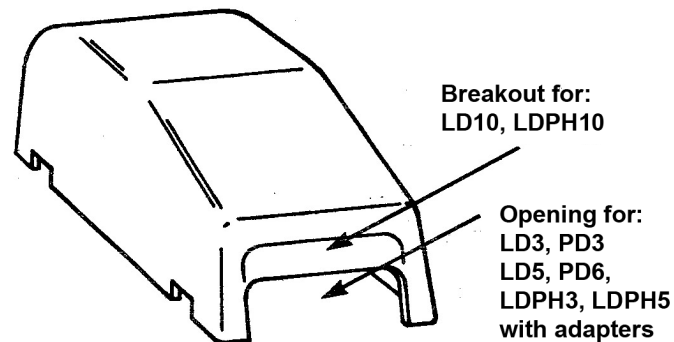


Low voltage or power applications up to 600V



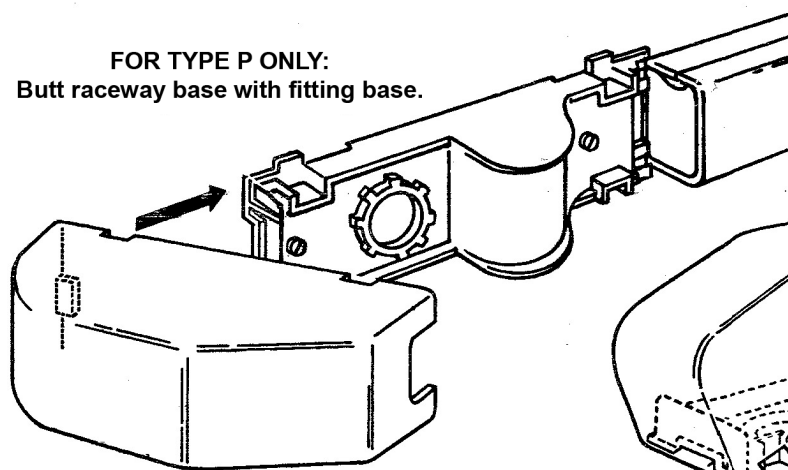
1/2" conduit opening      3/4" conduit breakout

| Raceway Breakout | Used with PAN-WAY™ Raceway | Adapters |
|------------------|----------------------------|----------|
| A                | LD3, LDPH3                 | CA3      |
| A                | PD3                        | BA3      |
| B                | LD5, LDPH5                 | CA5      |
| B                | PD6                        | BA6      |
| C                | LD10, LDPH10               | N/A      |

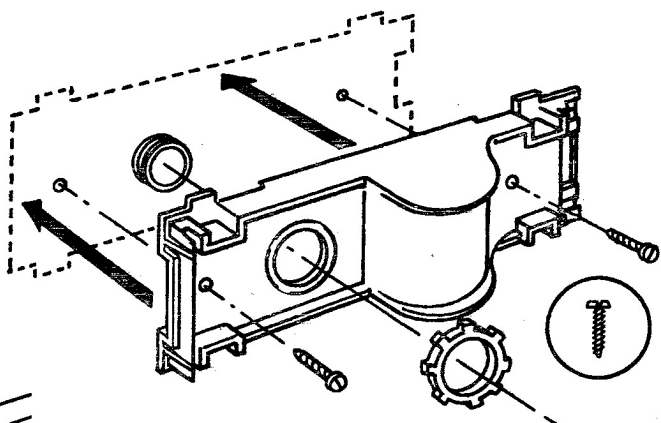


Breakout for: LD10, LDPH10

Opening for: LD3, PD3, LD5, PD6, LDPH3, LDPH5 with adapters



FOR TYPE P ONLY:  
Butt raceway base with fitting base.



For Instructions in Local Languages and Technical Support:  
www.panduit.com/resources/install\_maintain.asp

**PANDUIT**  
www.panduit.com

E-mail: cs@panduit.com  
Fax: (815) 836-0394

# PANDUIT

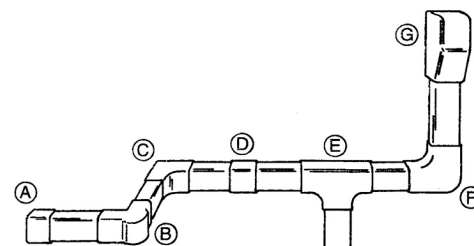
PAN-WAY SURFACE RACEWAY  
TIA/EIA COMPLIANT FITTINGS



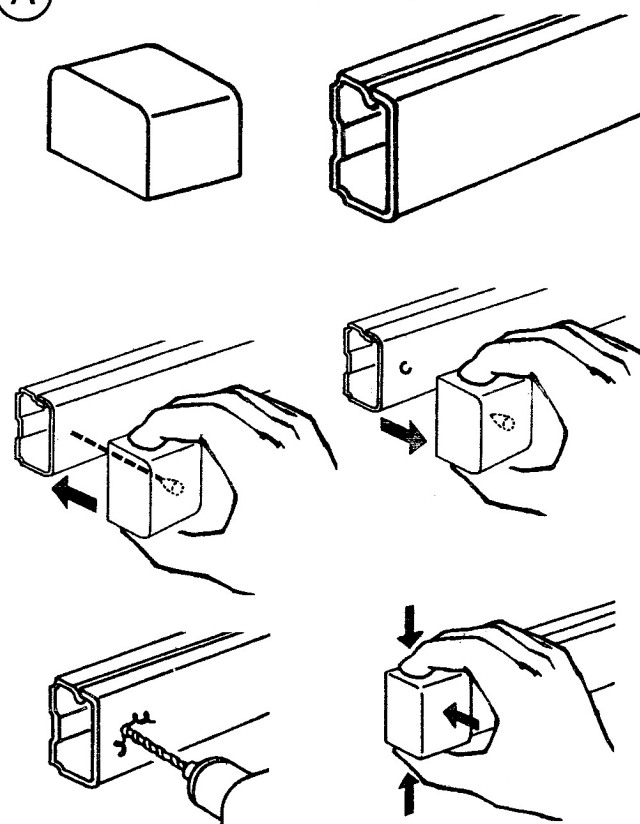
© Panduit Corp. 2011

INSTALLATION INSTRUCTIONS

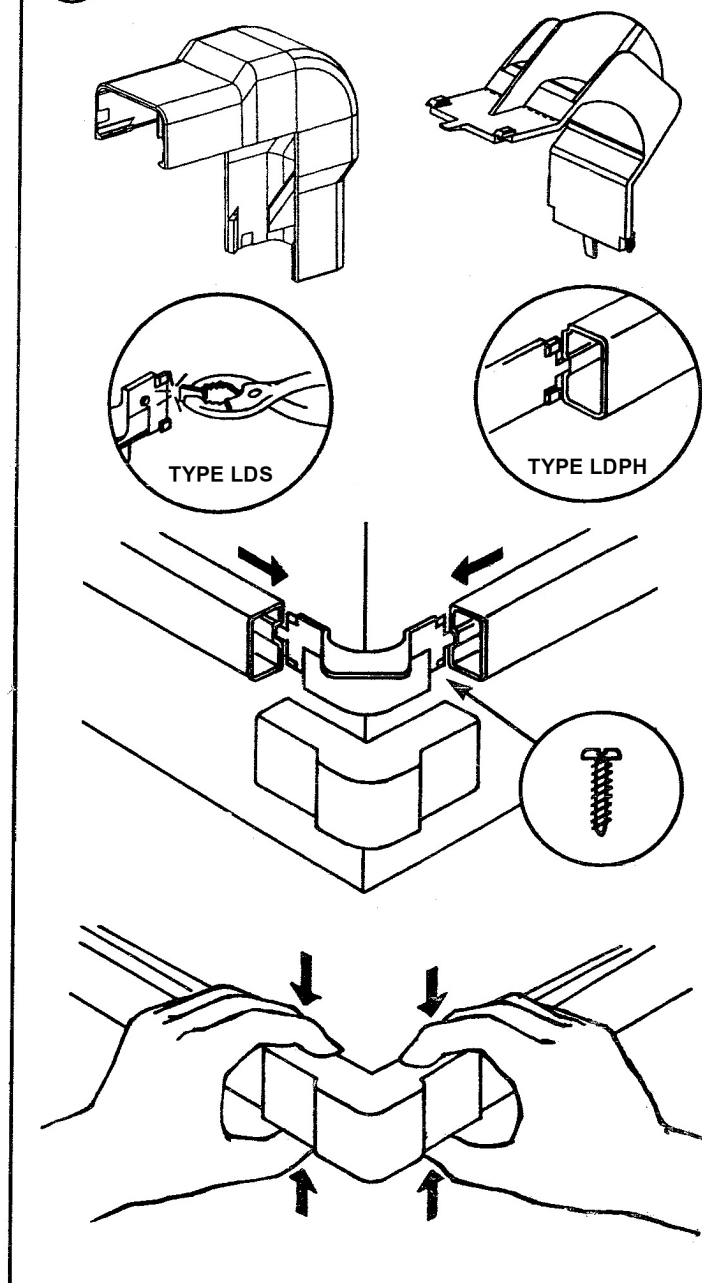
PN26



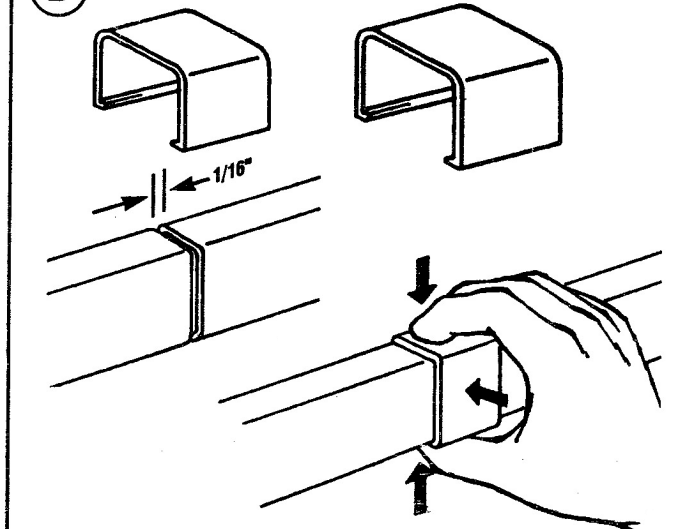
A Part Numbers: ECFX3, ECFX5, ECFX10



B Part Numbers: OCFX3, OCFX5, OCFX10



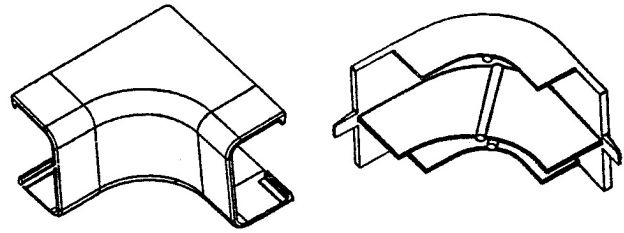
D Part Numbers: CFX3, CFX5, CFX10



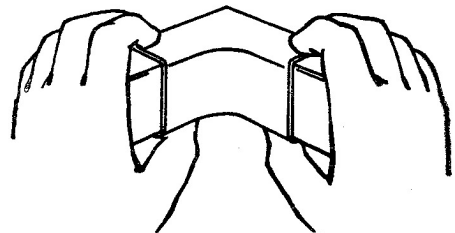
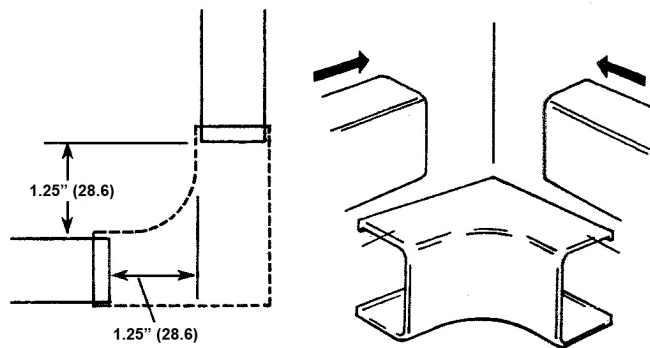
A, B, D

Low voltage or power applications up to 600V

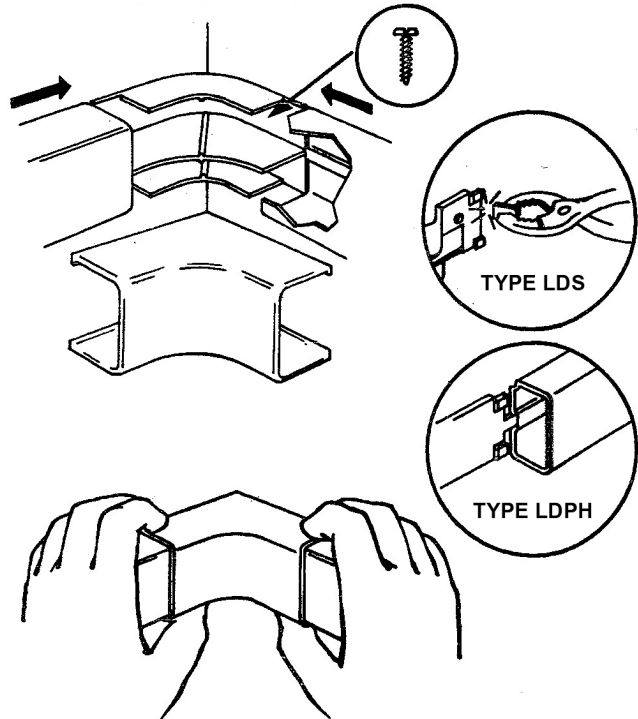
**C** Part Numbers: ICFC3, ICFC5, ICFC10  
 Part Numbers: ICFX3, ICFX5, ICFX10



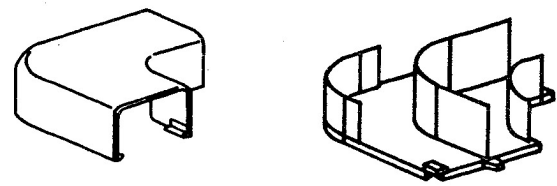
Low voltage applications (Cover only)



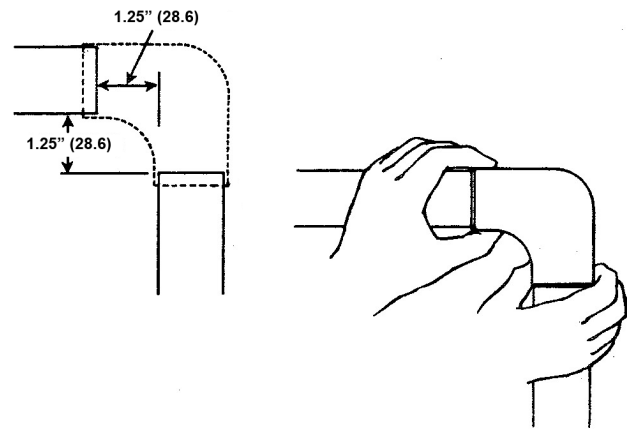
Low voltage or power applications up to 600V



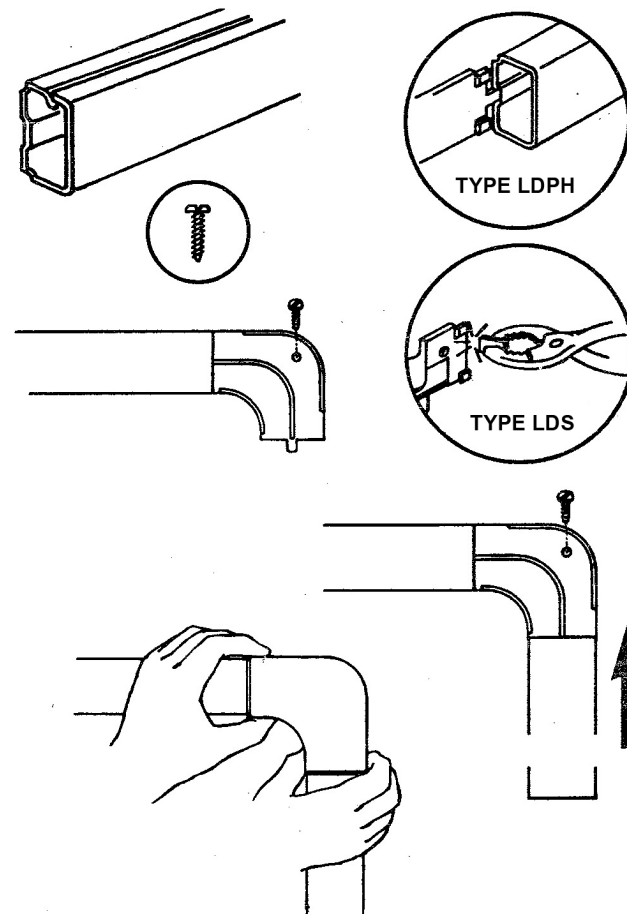
**F** Part Numbers: RAFC3, RAFC5, RAFC10  
 Part Numbers: RAFX3, RAFX5, RAFX10



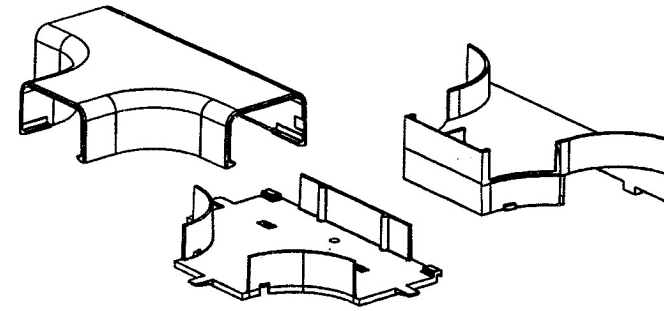
Low voltage applications (Cover only)



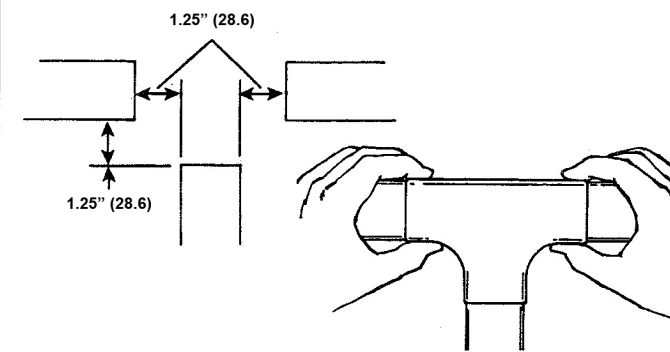
Low voltage or power applications up to 600V



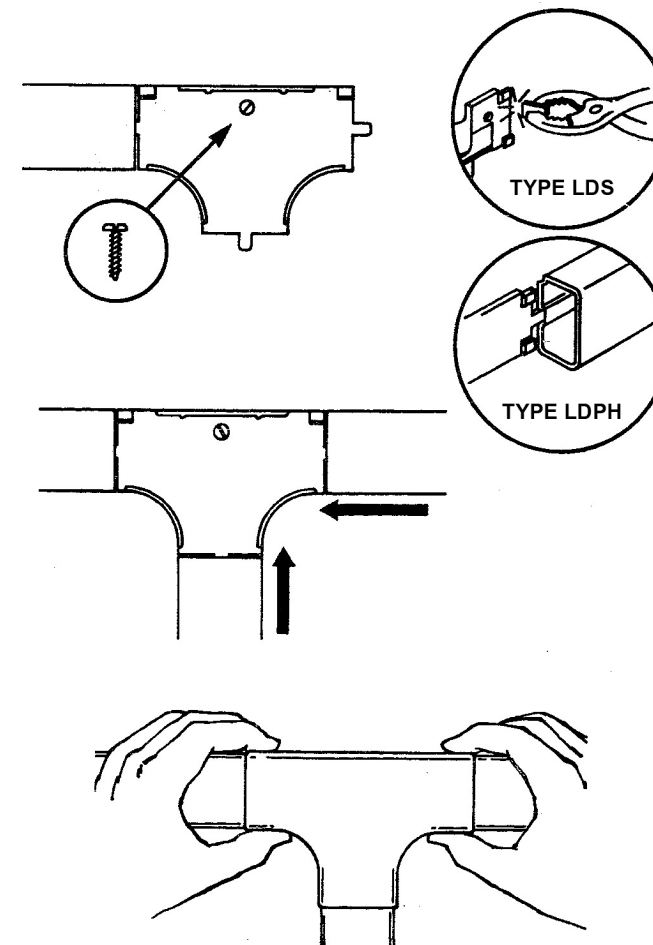
**E** Part Numbers: TFC3, TFC5, TFC10  
 TFX3, TFX5, TFX10, TFXD10



Low voltage applications (Cover only)



Low voltage or power applications up to 600V



Low voltage or power applications up to 600V

