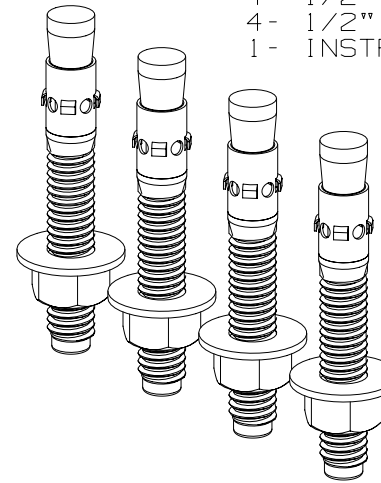
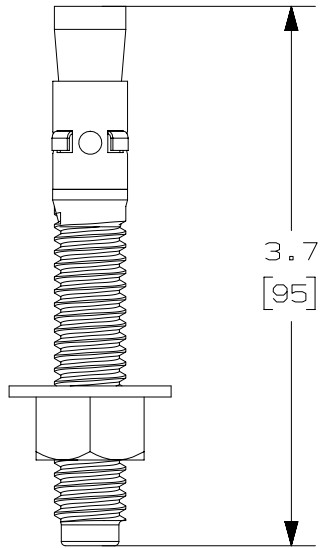
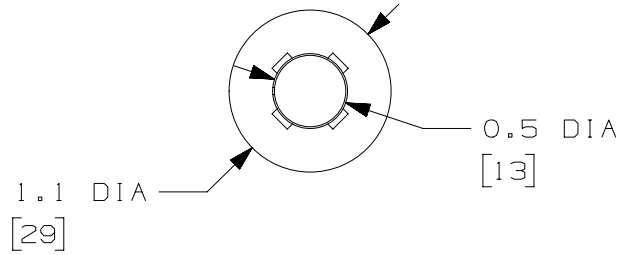


THIS COPY IS PROVIDED ON A RESTRICTED BASIS AND IS NOT TO BE USED IN ANY WAY DETRIMENTAL TO THE INTERESTS OF PANDUIT CORP.



PANDUIT PART NO.	WEIGHT
RFAKIT	0.7 LBS/EACH 0.32 Kg/EACH

NOTES:

- VISIT OUR ON-LINE CATALOG AT [WWW.PANDUIT.COM](http://WWW.PANDUIT.COM) FOR A LIST OF CURRENT PARTS APPLICABLE FOR USE WITH THIS PRODUCT.
- DIMENSIONS IN PARENTHESIS ARE METRIC.
- COMPONENTS:
  - 4- 1/2-13 X 3.75" CONCRETE ANCHORS
  - 4- 1/2-13 HEX NUTS
  - 4- 1/2" FLAT WASHERS
  - 1- INSTRUCTION SHEET

REV	DATE	BY	CHK	APR	DESCRIPTION	ECN
00A	9-16-16	TWV	JEFK	KRKE	RELEASED TO PRODUCTION	00150NBB-DC

TITLE		RACK FLOOR ATTACHMENT KIT (RFAKIT)	
CUSTOMER DRAWING			
ITEM REVISION NAME		00150NBB/00	
DATASET FILE NAME		00150NBB_DC/00A	
UNLESS OTHERWISE SPECIFIED, DIMENSIONAL TOLERANCES ARE:		MATERIAL:	
ANGLE		STEEL	
+/- .1°		DRAWING NUMBER:	
THIRD ANGLE PROJECTION		00150NBB-DC	
DRAWN BY	DATE	CHK	SCALE
TWV	9-16-16	JEFK	NONE
SHT 1 OF 1			SIZE
			A