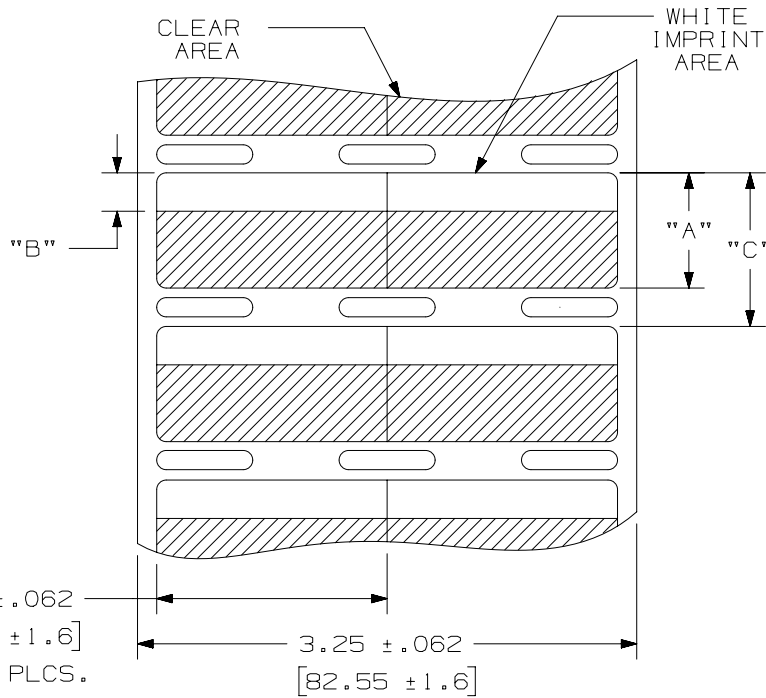


THIS COPY IS PROVIDED ON A RESTRICTED BASIS AND IS NOT TO BE USED IN ANY WAY DETRIMENTAL TO THE INTERESTS OF PANDUIT CORP.

PART NUMBER	MATERIAL	"A" HEIGHT +/- .062	IMPRINT AREA "B" +/- .062	VERTICAL REPEAT "C" +/- .062	LABELS PER ROW	STANDARD PKG. QTY.
S150X150VATY	GMV16 OR GMV17	1.50 [38.1]	0.50 [12.7]	1.75 [44.45]	2	5000
S150X225VATY		2.25 [57.2]	0.75 [19.1]	2.50 [63.5]		2500
S150X400VATY		4.00 [101.6]	1.00 [25.4]	4.25 [108.0]		



NOTE:
1. MILLIMETER ARE IN [].

REV	DATE	BY	CHK	APR	DESCRIPTION	ECN
9	8/11/16	RVU	SEWH	JHAC	4.25 [108.0] WAS 4.25 [114.3].	GAECN03563
8	9/25/13	RVU	SEWH	MSAD	2500 WAS 5000 FOR S150X400VATY ONLY.	GAECN01219
7	####	RVU	SEWH	MSAD	REMOVE PN, S150X225TAT.	GAECN01163
6	10/25/11	RVU		MSAD	"GMV16 OR GMV17" WAS "GMV".	6548

TITLE S150X***VATY OPTIMUM SELF-LAMINATING THERMAL TRANSFER PRINTABLE LABELS CUSTOMER DRAWING					
ITEM REVISION NAME 100701MV/11	PANDUIT				
DATASET FILE NAME 100701MV_DC_C10438/11K					
UNLESS OTHERWISE SPECIFIED, DIMENSIONAL TOLERANCES ARE: IN [mm] .x ± .12 [3.04] .xxx ± .025 [.635] .xx ± .062 [1.57] ANGLES ±					
DRAWING NUMBER: C10438					
DRAWN BY RVU	DATE 8/4/06	CHK MSAD	SCALE NTS	SHT 1 OF 1	SIZE A

D101000DA/16