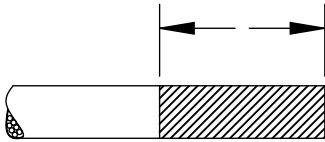
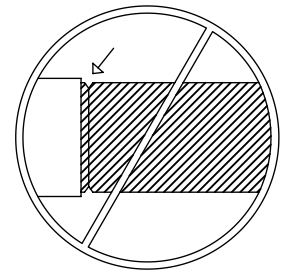
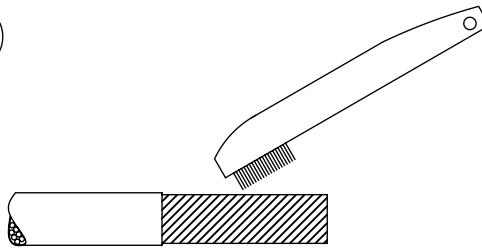




1



2

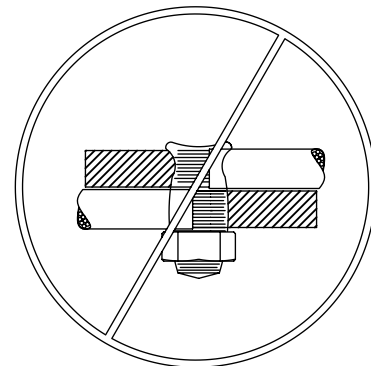
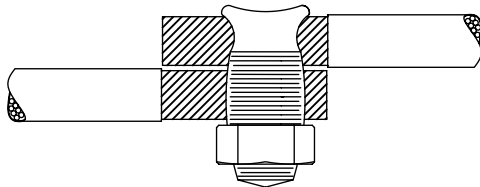
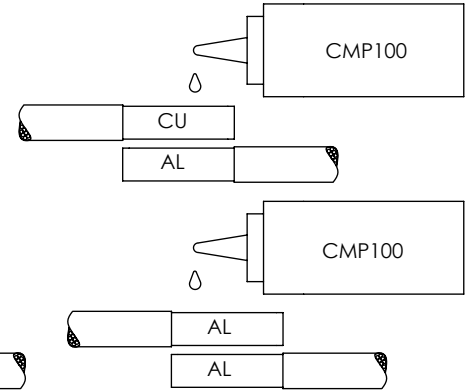
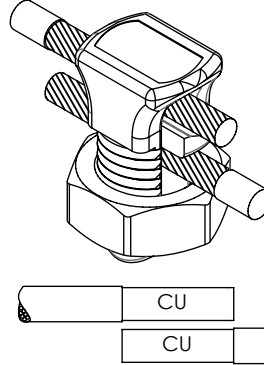
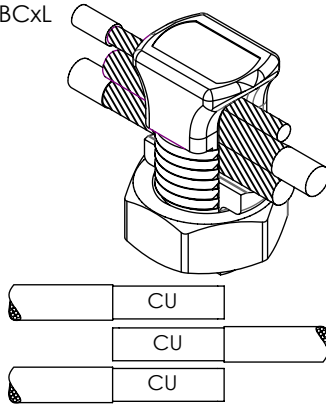
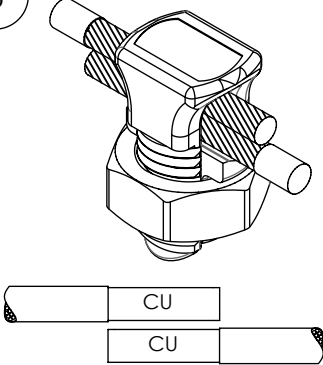


3

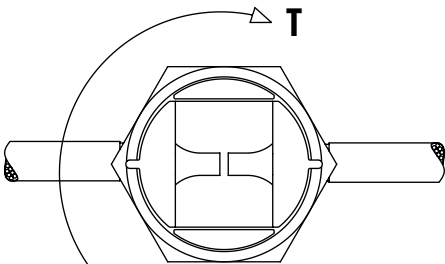
SBCx

SBCxL

SBCTx



4



BOTTOM VIEW SHOWN

PART NUMBERS

- | | | |
|----------|---------|---------|
| SBC8 | SBC3/0 | SBCT2/0 |
| SBC6S | SBC250 | SBCT3/0 |
| SBC6SL** | SBC350 | SBCT250 |
| SBC4S | SBC500 | SBCT350 |
| SBC4SL** | SBCT8 | SBCT500 |
| SBC3 | SBCT6 | |
| SBC2 | SBCT3 | |
| SBC1/0 | SBCT2 | |
| SBC2/0 | SBCT1/0 | |

NOTE:
SBCT8 THRU SBCT2/0 ARE
UL LISTED FOR USE WITH BOTH
ALUMINUM AND COPPER CONDUCTORS

NOTE:
SBCT3/0 AND LARGER ARE
UL LISTED FOR USE WITH COPPER CONDUCTORS
THEY CAN STILL BE USED ON ALUMINUM CONDUCTORS,
HOWEVER THEY ARE NOT UL LISTED FOR THAT APPLICATION

** DB \perp
RATED



PART NUMBERS

- | | |
|-----------|----------|
| SBC8L** | SBCT10 |
| SBC2L** | SBCT750 |
| SBC750** | SBCT1000 |
| SBC1000** | |

NOTE:
CAN BE USED ON ALUMINUM CONDUCTOR,
HOWEVER THEY ARE NOT UL LISTED FOR
THAT APPLICATION

NOTE:
OVER 500 kcmil NOT UL OR CSA
LISTED FOR GROUNDING OR BONDING



** DB \perp
RATED

TIN PLATED AND COPPER SPLIT BOLTS

CATALOG NUMBER	COPPER CONDUCTOR		MIN. TAP WITH ONE MAX MAIN (AWG or kcmil)	MAX CONDUCTOR		REQUIRED TORQUE (T) (IN.-LB)
	RANGE OF EQUAL RUN & TAP (AWG or kcmil)			COPPER WELD		
	MIN.	MAX.		STR.	TYPE A	
SBCT10	16 STR	10 STR	16 STR	----	----	80
SBC8	10 SOL	8 STR	16 STR	----	----	80
SBC8L	16 STR	8 STR	16 STR	----	----	80
SBCT8	8 SOL	6 SOL	14 SOL	----	----	165
SBC6S	8 SOL	6 SOL	16 SOL	----	----	165
SBC6SL	8 STR	6 SOL	16 STR	----	----	165
SBCT6	8 SOL	6 STR	10 STR	----	----	165
SBC4S	8 SOL	6 STR	14 STR	----	----	165
SBC4SL	8 STR	6 STR	14 STR	----	----	165
SBC3	8 SOL	4 STR	14 STR	----	----	275
SBCT3	8 SOL	4 STR	10 STR	----	----	275
SBC2	6 SOL	2 STR	14 STR	----	----	275
SBC2L	6 SOL	2 STR	14 STR	3 No. 7	3A	275
SBCT2	6 SOL	2 STR	14 STR	----	----	275
SBC1/0	4 SOL	1/0 STR	14 STR	----	----	385
SBCT1/0	4 SOL	1/0 STR	10 STR	----	----	385
SBC2/0	2 SOL	2/0 STR	14 STR	----	----	385
SBCT2/0	2 SOL	2/0 STR	8 STR	----	----	385
SBC3/0	1 SOL	3/0 STR	8 STR	----	----	500
SBCT3/0	1 SOL	3/0 STR	8 STR	----	----	500
SBC250	1 SOL	250 STR	8 STR	----	----	650
SBCT250	1 SOL	250 STR	8 STR	----	----	650
SBC350	2/0 SOL	350 STR	2/0 SOL	----	----	650
SBCT350	2/0 SOL	350 STR	1/0 STR	----	----	650
SBC500	300 STR	500 STR	2/0 STR	----	----	825
SBCT500	300 STR	500 STR	2/0 STR	----	----	825
SBC750	350 STR	750 STR	8 SOL	19 No. 5	----	1000
SBCT750	250 STR	750 STR	2/0 STR	19 No. 5	----	1000
SBC1000	500 STR	1000 STR	8 SOL	----	----	1100
SBCT1000	350 STR	1000 STR	4/0 STR	----	----	1100

For Instructions in Local Languages and Technical Support:

www.panduit.com/resources/install_maintain.asp



www.panduit.com

E-mail: cs@panduit.com

Fax: 708-444-6993