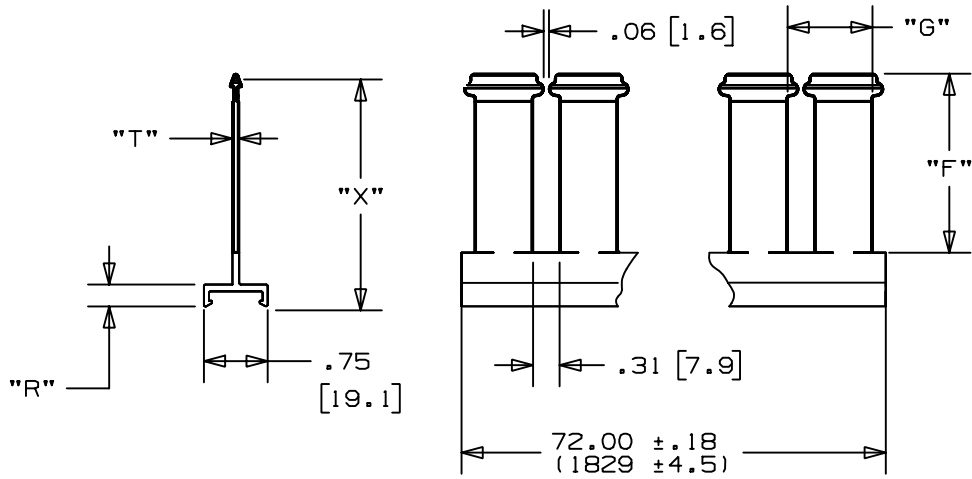


THIS COPY IS PROVIDED ON A RESTRICTED BASIS AND IS NOT TO BE USED IN ANY WAY DETRIMENTAL TO THE INTERESTS OF PANDUIT CORP.

△ B

| PANDUIT P/N | "X"                       | "T"                   | "R"                   | "F"                     | "G"                     | WEIGHT                    |
|-------------|---------------------------|-----------------------|-----------------------|-------------------------|-------------------------|---------------------------|
| SD2H6       | 1.79 ±.03<br>(45.3 ±.8)   | .07 ±.01<br>(1.7 ±.3) | .24 ±.03<br>(6.0 ±.7) | 1.18 ±.03<br>(29.9 ±.8) | .8 ±.04<br>(2.0 ±1.0)   | .077 LB/FT<br>(.115 Kg/M) |
| SD3H6       | 2.74 ±.05<br>(69.7 ±1.3)  | .09 ±.02<br>(2.1 ±.4) | .26 ±.03<br>(6.5 ±.7) | 2.11 ±.03<br>(55.4 ±.8) | 1.0 ±.04<br>(25.4 ±1.0) | .132 LB/FT<br>(.197 Kg/M) |
| SD4H6       | 3.53 ±0.06<br>(89.8 ±1.5) | .11 ±.02<br>(2.8 ±.5) | .26 ±.03<br>(6.5 ±.7) | 2.90 ±.03<br>(73.7 ±.8) | 1.0 ±.04<br>(25.4 ±1.0) | .288 LB/FT<br>(.429 Kg/M) |



NOTES:

1. SEE CURRENT CATALOG FOR ADDITIONAL PART SUFFIXES TO INDICATE COLOR AND OR PACKAGE QUANTITY.
- △ 2. THIS PART IS INTENDED TO BE USED WITH MOUNTING BASE DB-C OR DBM-C IN ORDER TO SUCCEED AS A DIVIDER WALL APPLICATION.
3. DIMENSIONS IN PARENTHESES ARE METRIC.

△ C

CAD FILENAME/LAYERS D36089BG\_DC\_SDW\_02A.prt

PANDUIT CORP. TINLEY PARK, ILLINOIS  
 SLOTTED DIVIDER WALL FOR  
 WIRING DUCT (SD2H6, SD3H6, SD4H6)  
 CUSTOMER DRAWING

UNLESS OTHERWISE SPECIFIED,  
 DIMENSIONAL TOLERANCES ARE:  
 (.X) ± (.XXX) ±  
 (.XX) ±.03 (.8) ANGLES ±

UNLESS OTHERWISE SPECIFIED,  
 ALL DIMENSIONS ARE GIVEN  
 IN INCHES, THIRD ANGLE PROJECTION.

| REV | DATE     | BY   | CHK | DESCRIPTION                            | ECN      | CHK | CUST | SUP |
|-----|----------|------|-----|--|----------|-----|------|-----|
| 2   | 4/12/04  | JCST | JKG | C. MODIFIED TITLE<br>B. MODIFIED CHART | 36089-07 | HIW | HIW  |     |
| 1   | 12-10-98 | DW   | HIW | A. ADDED DBM-C TO NOTE 2.              | 36089-07 | HIW | HIW  |     |
| R   | 7-23-97  | DW   | HIW | RELEASED TO PRODUCTION.                | 36089-07 | HIW | HIW  |     |

|                   |               |
|-------------------|---------------|
| DRAWN BY<br>DW    | MAT'L:<br>PVC |
| DATE<br>7-23-97   |               |
| CHECKED BY<br>HIW |               |

|               |                         |          |
|---------------|-------------------------|----------|
| SCALE<br>NONE | DRAWING NO.<br>36089-07 | DWG<br>A |
| SIZE          |                         |          |