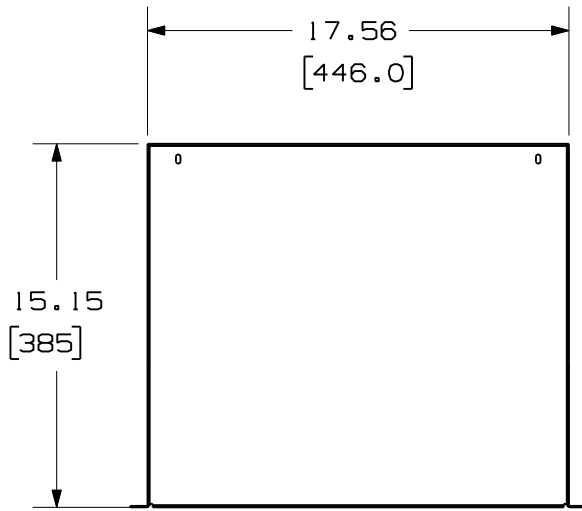


THIS COPY IS PROVIDED ON A RESTRICTED BASIS AND IS NOT TO BE USED IN ANY WAY DETRIMENTAL TO THE INTERESTS OF PANDUIT CORP.



PANDUIT P/N	WEIGHT
SRM19FM2	5.86LBS/EACH 2658.03g/EACH

NOTES:

1. IDENTIFICATION: RACK MOUNT SHELF 19" FRONT MOUNT 2 RU

PART NO.
SRM19FM2

COLOR
GAVANNEALED STEEL WITH BLACK POWDER COAT FINISH

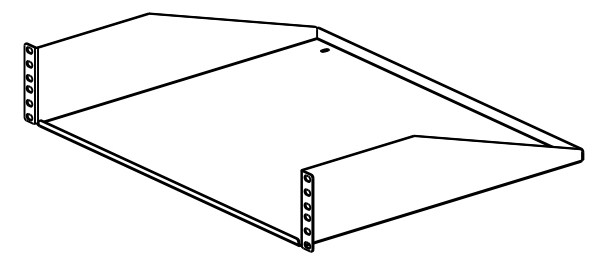
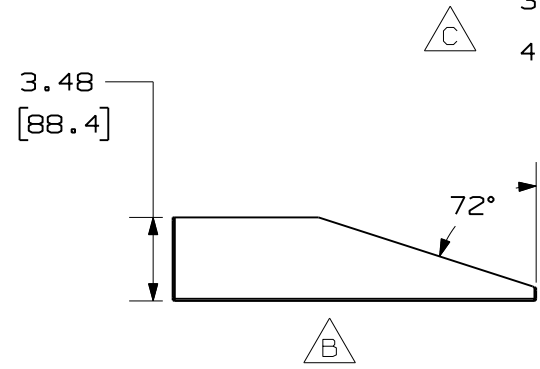
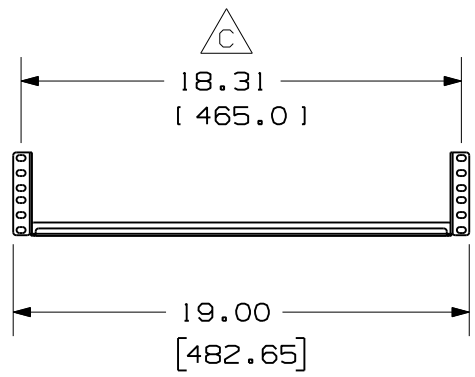
2. COMPONENTS:

- (1) 19" RACK MOUNT SHELF
- (4) #12-24 MOUNTING SCREWS
- (4) M6 METRIC SCREWS.



3. DIMENSIONS IN PARENTHESIS ARE METRIC.

4. LOAD RATED TO 66 LBS. (30KG)



MODEL FILENAME	M10009BB_SRM19FM2_01A.PRT
CAD FILENAME/LAYERS	M10009BB_DC_01E.PRT

PANDUIT CORP. TINLEY PARK, ILLINOIS

19" RACK MOUNT SHELF (SRM19FM2) CUSTOMER DRAWING

UNLESS OTHERWISE SPECIFIED, DIMENSIONAL TOLERANCES ARE:
 (.X) ± .03 (.XXX) ± .005
 (.XX) ± .01 ANGLES ± 1°

UNLESS OTHERWISE SPECIFIED, ALL DIMENSIONS ARE GIVEN IN INCHES, THIRD ANGLE PROJECTION.

DRAWN BY JDWE	MAT'L:	SCALE 1/8
DATE 7-30-01	SEE NOTES	DRAWING NO. 10009-05
CHK'D		DWG A SIZE

REV	DATE	BY	CHK	DESCRIPTION	ECN	R	CUST	SUP	OTH
4	5-14-02	JDWE		E. ADDED METRIC SCREWS.	10009-05				
3	9-25-01	MECA	MECA	D. ADDED NOTE 4	10009-05	RTSU			
2	9-21-01	JDWE	MECA	C. REASSOCIATED DIMENSION. B. REMOVED DIMENSION.	10009-05	RTSU			
1	9-5-01	JDWE	RTSU	A. CHANGED WEIGHTS; WAS 4.34LBS	10009-05	RTSU			
R	7-30-01	JDWE	RTSU	RELEASE TO PRODUCTION	10009-05	RTSU			