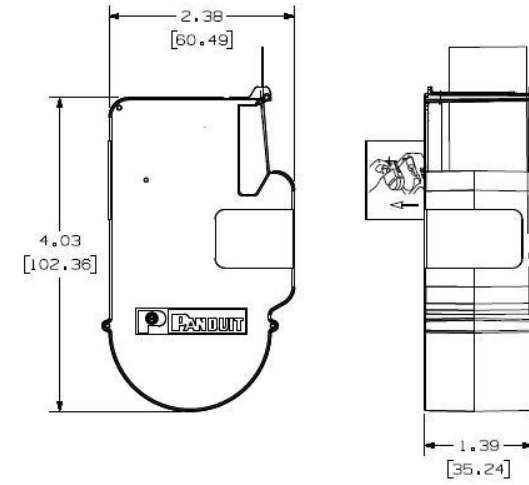
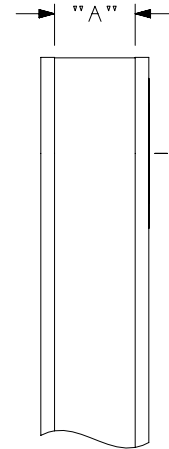


THIS COPY IS PROVIDED ON A RESTRICTED BASIS AND IS NOT TO BE USED IN ANY WAY DETRIMENTAL TO THE INTERESTS OF PANDUIT CORP.

PART NO.	PART DESCRIPTION	LABEL "A"	MATERIAL	ROLL LENGTH
T019X000FJC-BK	BLACK ON WHITE, POLYOLEFIN TAPE	0.19 [4.83]	GMPO4	300"
T024X000FJC-BK	BLACK ON WHITE, POLYOLEFIN TAPE	0.24 [6.10]	GMV14	
T024X000YKC-BK	BLACK ON CLEAR, POLYESTER TAPE		GMV15	
T024X000VPC-BK	BLACK ON WHITE, VINYL TAPE		GMV14	
T024X000VYC-WH	WHITE ON BLACK, VINYL TAPE		GMV15	
T031X000FJC-BK	BLACK ON WHITE, POLYOLEFIN TAPE	0.31 [7.87]	GMPO4	
T038X000FJC-BK	BLACK ON WHITE, POLYOLEFIN TAPE	0.38 [9.65]	GMV14	
T038X000VPC-BK	BLACK ON WHITE, VINYL TAPE		GMV15	
T038X000VQC-BK	BLACK ON BLUE, VINYL TAPE		GMV14	
T038X000VQC-WH	WHITE ON BLUE, VINYL TAPE		GMV15	
T038X000VSC-BK	BLACK ON GREEN, VINYL TAPE		GMV14	
T038X000VSC-WH	WHITE ON GREEN, VINYL TAPE		GMV15	
T038X000VUC-BK	BLACK ON ORANGE, VINYL TAPE		GMV14	
T038X000VUC-WH	WHITE ON ORANGE, VINYL TAPE		GMV15	
T038X000VVC-BK	BLACK ON RED, VINYL TAPE		GMV14	
T038X000VVC-WH	WHITE ON RED, VINYL TAPE		GMV15	
T038X000VXC-BK	BLACK ON YELLOW, VINYL TAPE	GMV14		
T038X000VYC-WH	WHITE ON BLACK, VINYL TAPE	GMV15		
T038X000YKC-BK	BLACK ON CLEAR, POLYESTER TAPE	GMV14		



1 OF 3



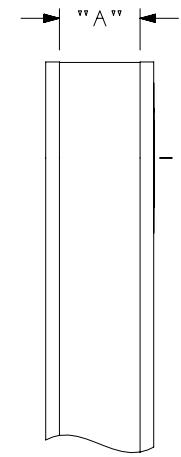
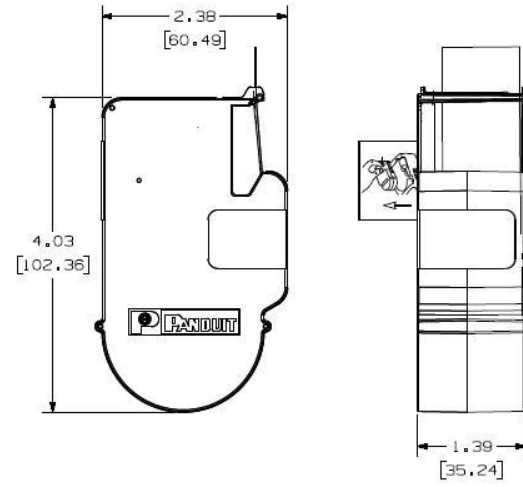
NOTES:
1. DIMENSIONS IN [] ARE IN MILLIMETERS.

6	9/18/19	RVU	JW	JHAC	ADDED NEW PART NUMBERS, T100X000RWC-WH, WHITE ON RED, REFLECTIVE VINYL, AND ROLL LENGTH 216" to table.	GAECN04996
5	7/12/18	RVU	JW	JHAC	GMRS1 WAS GMRS. Remove T100X000YKC-WH and T050X000YKC-WH.	GAECN04617
4	10/3/14	RVU	SEWH	MSAD	T038X000VXC-BK, T050X000VXC-BK, T075X000VXC-BK AND T100X000VXC-BK, MATERIAL: GMV14 WAS GMV15. REMOVE NOTE 2. COMBINE OTHER DWG., C10866, & C10867.	GAECN02340
3	10/12/12	RVU	SEWH	MSAD	T024X000VPC-BK, T038X000VPC-BK, T050X000VPC-BK, T075X000VPC-BK, T100X000VPC-BK, MATERIAL: GMV14 WAS GMV15.	GAECN00369
2	10/19/10	RVU			UPDATE ALL TABLE FROM THE NEW PART NO.	6195
1	4/14/09	LDG			ADDED T050X000VPC-RD, T100X000VPC-RD.	5702
REV	DATE	BY	CHK	APR	DESCRIPTION	ECN

TITLE	
P1 T***X*** CASSETTE CONTINUOUS TAPE LABEL	
CUSTOMER DRAWING	
ITEM REVISION NAME	100743B0/29
DATASET FILE NAME	100743B0_DC_C10695/29
UNLESS OTHERWISE SPECIFIED, DIMENSIONAL TOLERANCES ARE: IN [mm]	
.x ± .xx ± .03 [.762]	.xxx ± .025 [.635]
ANGLES ±	
THIRD ANGLE PROJECTION	
DRAWING NUMBER: C10695	
DRAWN BY	DATE
RVU	4/30/08
CHK	SCALE
MSAD	NTS
SHT 1 OF 1	
SIZE	
A	

THIS COPY IS PROVIDED ON A RESTRICTED BASIS AND IS NOT TO BE USED IN ANY WAY DETRIMENTAL TO THE INTERESTS OF PANDUIT CORP.

P1 CASSETTE PART NO.	PART DESCRIPTION	LABEL "A"	MATERIAL	ROLL LENGTH	
T050X000VPC-BK	BLACK ON WHITE, VINYL TAPE	0.50 [12.70]	GMV14	300"	
T050X000VPC-RD	RED ON WHITE, VINYL TAPE		GMV15		
T050X000YKC-BK	BLACK ON CLEAR, POLYESTER TAPE		GMV4-C		
T050X000VXC-BK	BLACK ON YELLOW, VINYL TAPE		GMV14		
T050X000VUC-BK	BLACK ON ORANGE, VINYL TAPE		GMV15		
T050X000VWC-BK	BLACK ON RED, VINYL TAPE				
T050X000VSC-BK	BLACK ON GREEN, VINYL TAPE				
T050X000VQC-BK	BLACK ON BLUE, VINYL TAPE				
T050X000VYC-WH	WHITE ON BLACK, VINYL TAPE				
T050X000VQC-WH	WHITE ON BLUE, VINYL TAPE				
T050X000VSC-WH	WHITE ON GREEN, VINYL TAPE				
T050X000VWC-WH	WHITE ON RED, VINYL TAPE				
T075X000VPC-BK	BLACK ON WHITE, VINYL TAPE	0.75 [19.05]			GMV14
T075X000VQC-BK	BLACK ON BLUE, VINYL TAPE				GMV15
T075X000VQC-WH	WHITE ON BLUE, VINYL TAPE				
T075X000VSC-BK	BLACK ON GREEN, VINYL TAPE				
T075X000VSC-WH	WHITE ON GREEN, VINYL TAPE				
T075X000VUC-BK	BLACK ON ORANGE, VINYL TAPE				
T075X000VWC-BK	BLACK ON RED, VINYL TAPE				
T075X000VWC-WH	WHITE ON RED, VINYL TAPE				
T075X000VXC-BK	BLACK ON YELLOW, VINYL TAPE		GMV14		
T075X000VYC-WH	WHITE ON BLACK, VINYL TAPE		GMV15		
T075X000YKC-BK	BLACK ON CLEAR, POLYESTER TAPE		GMV4-C		



2 OF 3

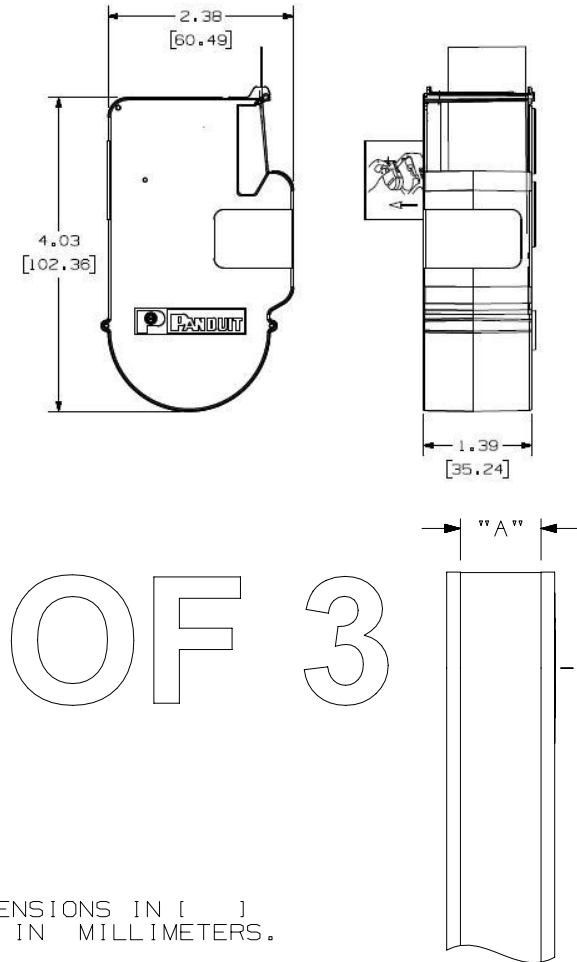
NOTES:
1. DIMENSIONS IN [] ARE IN MILLIMETERS.

6	9/18/19	RVU	JW	JHAC	ADDED NEW PART NUMBERS, T100X000RWC-WH, WHITE ON RED, REFLECTIVE VINYL, AND ROLL LENGTH 216" to table.	GAECN04996
5	7/12/18	RVU	JW	JHAC	GMRS1 WAS GMRS. Remove T100X000YKC-WH and T050X000YKC-WH.	GAECN04617
4	10/3/14	RVU	SEWH	MSAD	T038X000VXC-BK, T050X000VXC-BK, T075X000VXC-BK AND T100X000VXC-BK, MATERIAL: GMV14 WAS GMV15. REMOVE NOTE 2. COMBINE OTHER DWG., C10866, & C10867.	GAECN02340
3	10/12/12	RVU	SEWH	MSAD	T024X000VPC-BK, T038X000VPC-BK, T050X000VPC-BK, T075X000VPC-BK, T100X000VPC-BK, MATERIAL: GMV14 WAS GMV15.	GAECN00369
2	10/19/10	RVU			UPDATE ALL TABLE FROM THE NEW PART NO.	6195
1	4/14/09	LDG			ADDED T050X000VPC-RD, T100X000VPC-RD.	5702
REV	DATE	BY	CHK	APR	DESCRIPTION	ECN

TITLE	
P1 T***X*** CASSETTE CONTINUOUS TAPE LABEL CUSTOMER DRAWING	
ITEM REVISION NAME	100743B0/29
DATASET FILE NAME	100743B0_DC_C10695/29
UNLESS OTHERWISE SPECIFIED, DIMENSIONAL TOLERANCES ARE: IN [mm]	
.x ± .03 [.762]	.xxx ± .025 [.635]
ANGLES ±	
THIRD ANGLE PROJECTION	
MATERIAL: SEE TABLE	
DRAWING NUMBER: C10695	
DRAWN BY	DATE
RVU	4/30/08
CHK	SCALE
MSAD	NTS
SHT 1 OF 1	
SIZE A	

THIS COPY IS PROVIDED ON A RESTRICTED BASIS AND IS NOT TO BE USED IN ANY WAY DETRIMENTAL TO THE INTERESTS OF PANDUIT CORP.

P1 CASSETTE PART NO.	PART DESCRIPTION	LABEL "A"	MATERIAL	ROLL LENGTH
T100X000VPC-BK	BLACK ON WHITE, VINYL TAPE	1.00 [25.40]	GMV15	300"
T100X000VPC-RD	RED ON WHITE, VINYL TAPE		GMV14	
T100X000YKC-BK	BLACK ON CLEAR, POLYESTER TAPE		GMV4-C	
T100X000VXC-BK	BLACK ON YELLOW, VINYL TAPE		GMV14	
T100X000VUC-BK	BLACK ON ORANGE, VINYL TAPE		GMV15	
T100X000VWC-BK	BLACK ON RED, VINYL TAPE			
T100X000VSC-BK	BLACK ON GREEN, VINYL TAPE			
T100X000VQC-BK	BLACK ON BLUE, VINYL TAPE			
T100X000VYC-WH	WHITE ON BLACK, VINYL TAPE			
T100X000VXC-WH	WHITE ON YELLOW, VINYL TAPE			
T100X000VUC-WH	WHITE ON ORANGE, VINYL TAPE		GMRS1	
T100X000VWC-WH	WHITE ON RED, VINYL TAPE			
T100X000VSC-WH	WHITE ON GREEN, VINYL TAPE			
T100X000VQC-WH	WHITE ON BLUE, VINYL TAPE			
T100X000RPC-BK	BLACK ON WHITE, REFLECTIVE VINYL			
T100X000RUC-BK	BLACK ON ORANGE, REFLECTIVE VINYL			
T100X000RWC-WH	WHITE ON RED, REFLECTIVE VINYL	216"		
T100X000RXC-BK	BLACK ON YELLOW, REFLECTIVE VINYL			



3 OF 3

NOTES:
1. DIMENSIONS IN [] ARE IN MILLIMETERS.

6

6	9/18/19	RVU	JW	JHAC	ADDED NEW PART NUMBERS, T100X000RWC-WH, WHITE ON RED, REFLECTIVE VINYL, AND ROLL LENGTH 216" to table.	GAECN04996
5	7/12/18	RVU	JW	JHAC	GMRS1 WAS GMRS. Remove T100X000YKC-WH and T050X000YKC-WH.	GAECN04617
4	10/3/14	RVU	SEWH	MSAD	T038X000VXC-BK, T050X000VXC-BK, T075X000VXC-BK AND T100X000VXC-BK, MATERIAL: GMV14 WAS GMV15. REMOVE NOTE 2. COMBINE OTHER DWG., C10866, & C10867.	GAECN02340
3	10/12/12	RVU	SEWH	MSAD	T024X000VPC-BK, T038X000VPC-BK, T050X000VPC-BK, T075X000VPC-BK, T100X000VPC-BK, MATERIAL: GMV14 WAS GMV15.	GAECN00369
2	10/19/10	RVU			UPDATE ALL TABLE FROM THE NEW PART NO.	6195
1	4/14/09	LDG			ADDED T050X000VPC-RD, T100X000VPC-RD.	5702

TITLE	
P1 T***X*** CASSETTE CONTINUOUS TAPE LABEL CUSTOMER DRAWING	
ITEM REVISION NAME	10074380/29
DATASET FILE NAME	10074380_DC_C10695/29
UNLESS OTHERWISE SPECIFIED, DIMENSIONAL TOLERANCES ARE: IN [mm] .x ± .xxx ± .025 [.635] .xx ± .03 [.762] ANGLES ±	
THIRD ANGLE PROJECTION	
MATERIAL:	
SEE TABLE	
DRAWING NUMBER:	
C10695	

REV	DATE	BY	CHK	APR	DESCRIPTION	ECN	DRAWN BY	DATE	CHK	SCALE	SIZE
							RVU	4/30/08	MSAD	NTS	SHT 1 OF 1