



FOR USE WITH PANDUIT SURFACE RACEWAY ROUTING SYSTEM

TYPE T70 RACEWAY SYSTEM

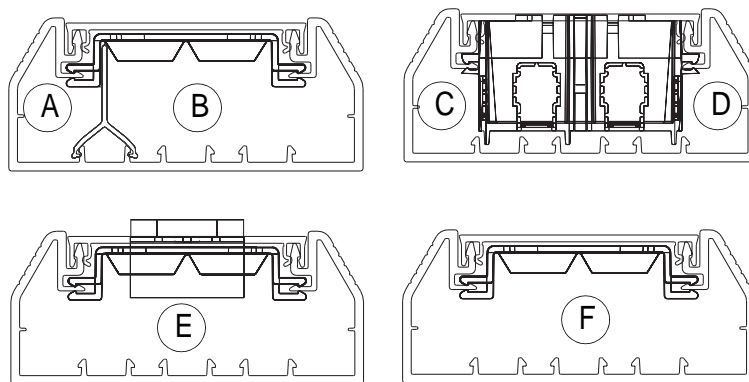
Panduit Part Numbers: T70B, T70C, T70DW, T70WR, T70HB, T70DB,
T70BC, T70CC, T70IC, T70RA, T70OC, T70EC,

INSTALLATION INSTRUCTIONS

©Panduit Corp. 2006

Printed in U.S.A.

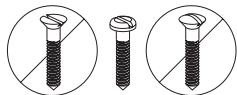
Raceway Type	See Fig.	**Electrical Cables		
		14 AWG	12 AWG	10 AWG
		0.105	0.122	0.153
T70 with Divider Wall and Wire Retainer	A	14	11	7
	B	*	*	*
T70 with Hanging Box	C	14	11	7
	D	*	*	*
T70 with Device Bracket and Device	E	24	20	15
T70 with Wire Retainers	F	24	20	15



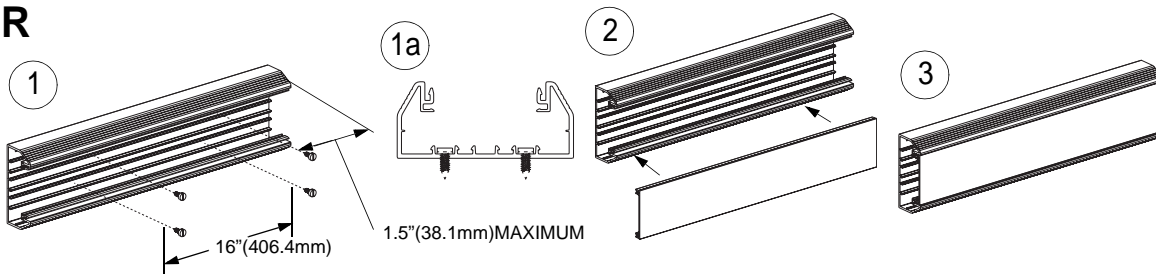
* COMMUNICATION CONDUCTORS ONLY.

** WIRES NOT BUNDLED

BASE & COVER

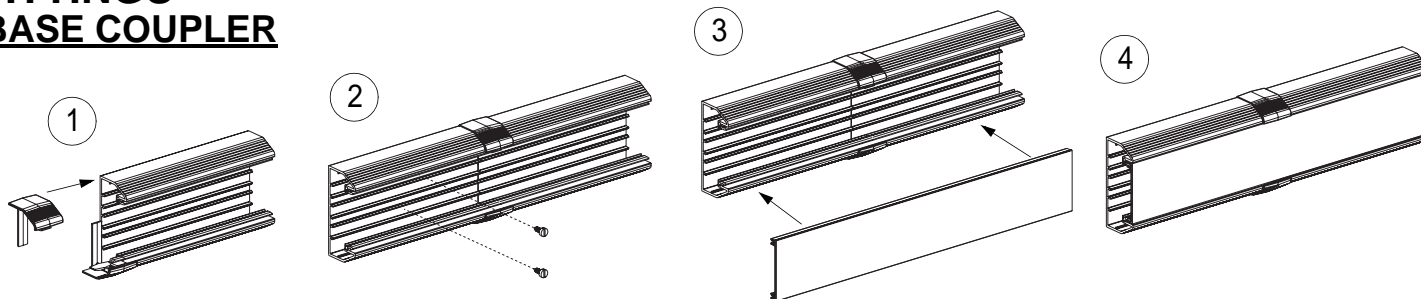


The mounting hardware used to secure the raceway shall be appropriate for the mounting

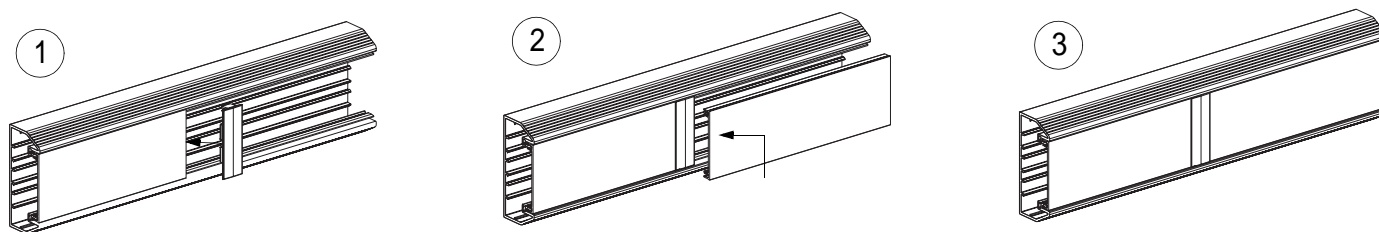


FITTINGS

BASE COUPLER

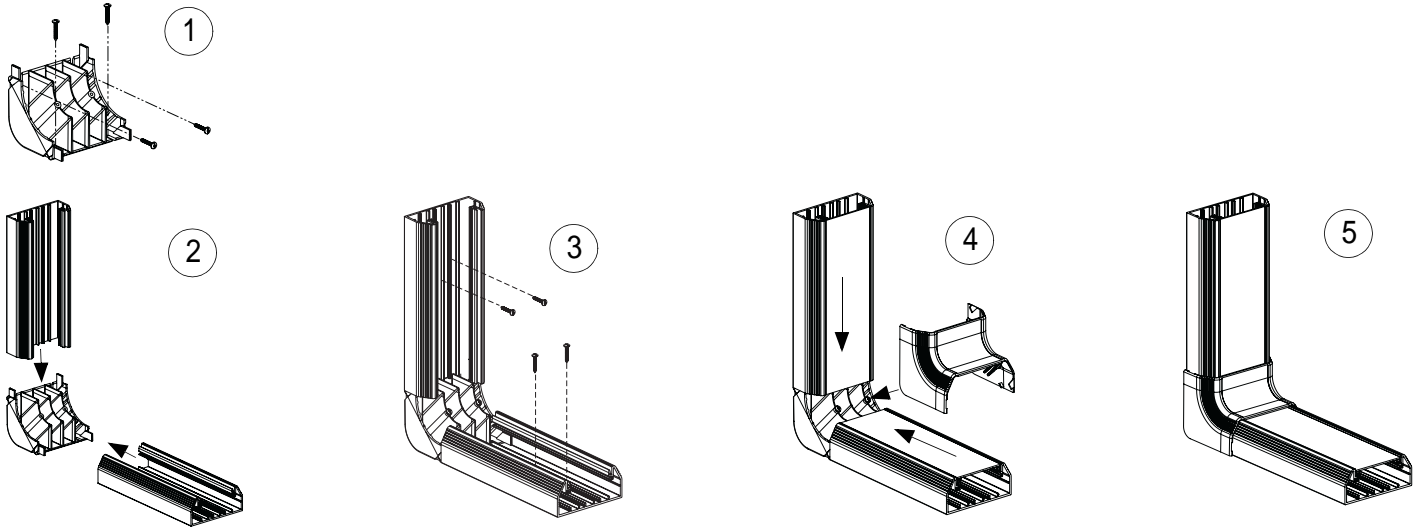


COVER COUPLER

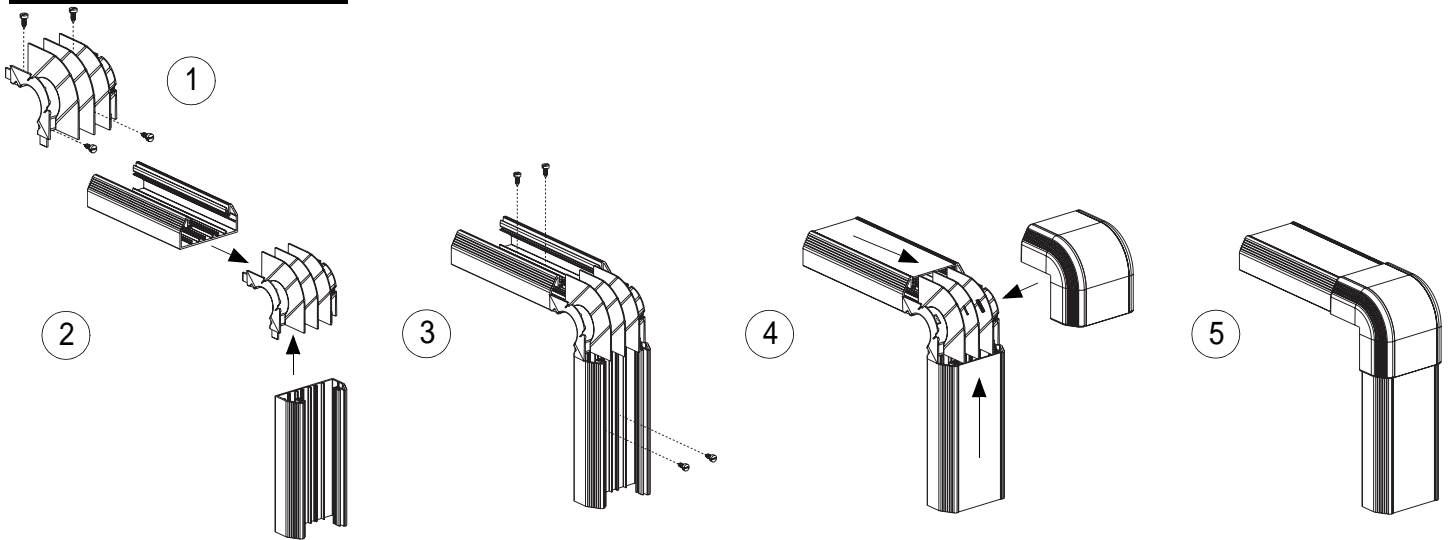


TYPE T70 RACEWAY SYSTEM INSTALLATION INSTRUCTIONS

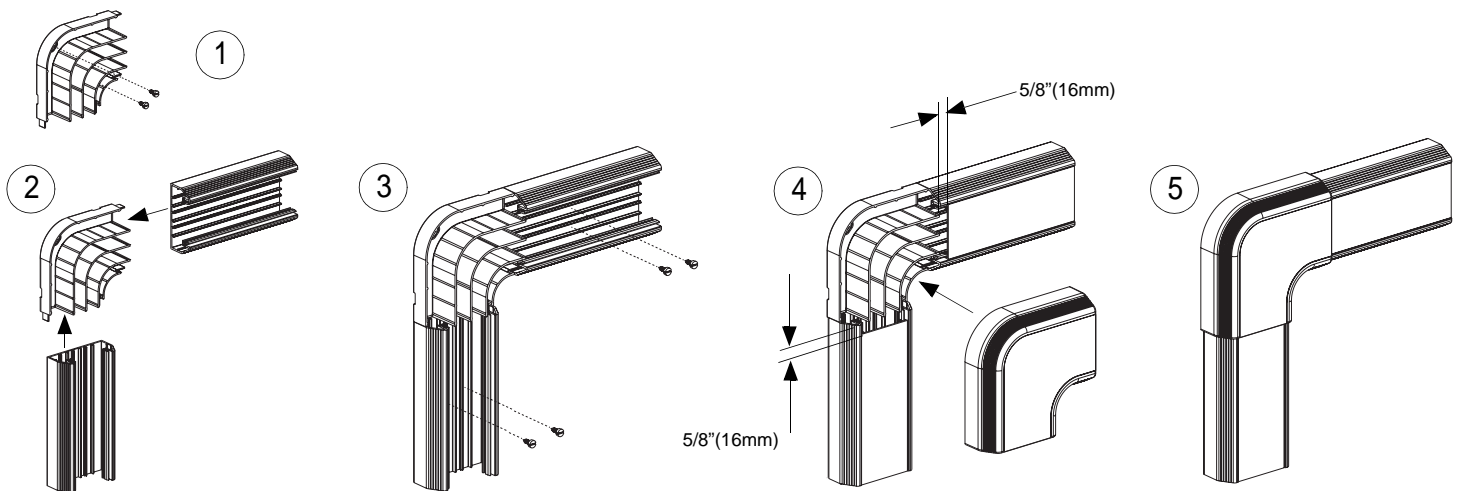
INSIDE CORNER



OUTSIDE CORNER

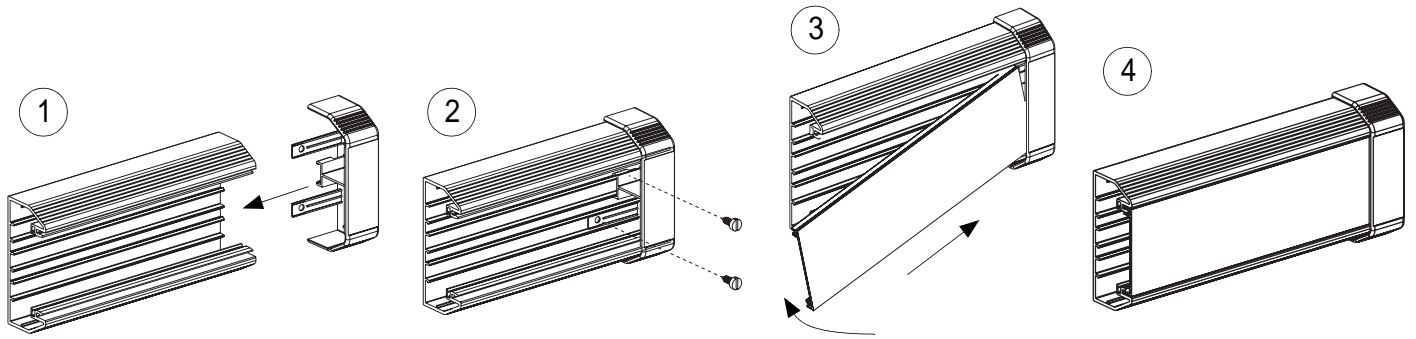


RIGHT ANGLE

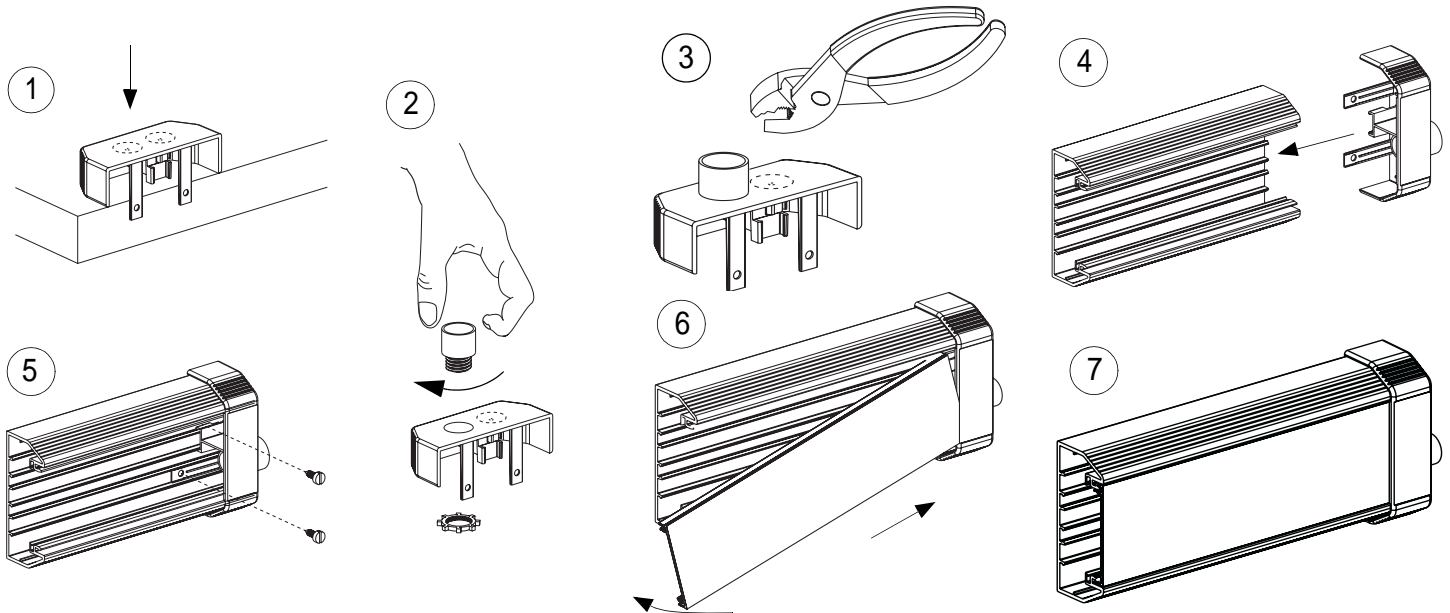


TYPE T70 RACEWAY SYSTEM INSTALLATION INSTRUCTIONS

END CAP



END CAP WITH CONDUIT CONNECTOR

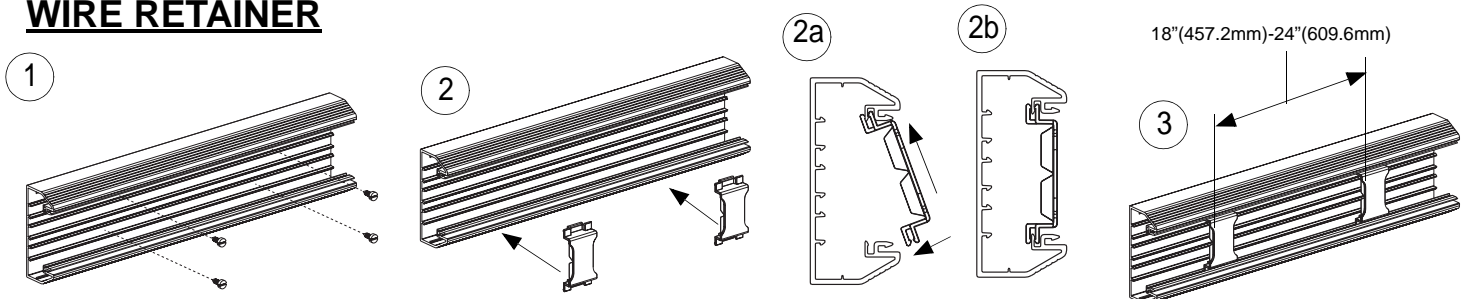


ACCESSORIES

DIVIDER WALL

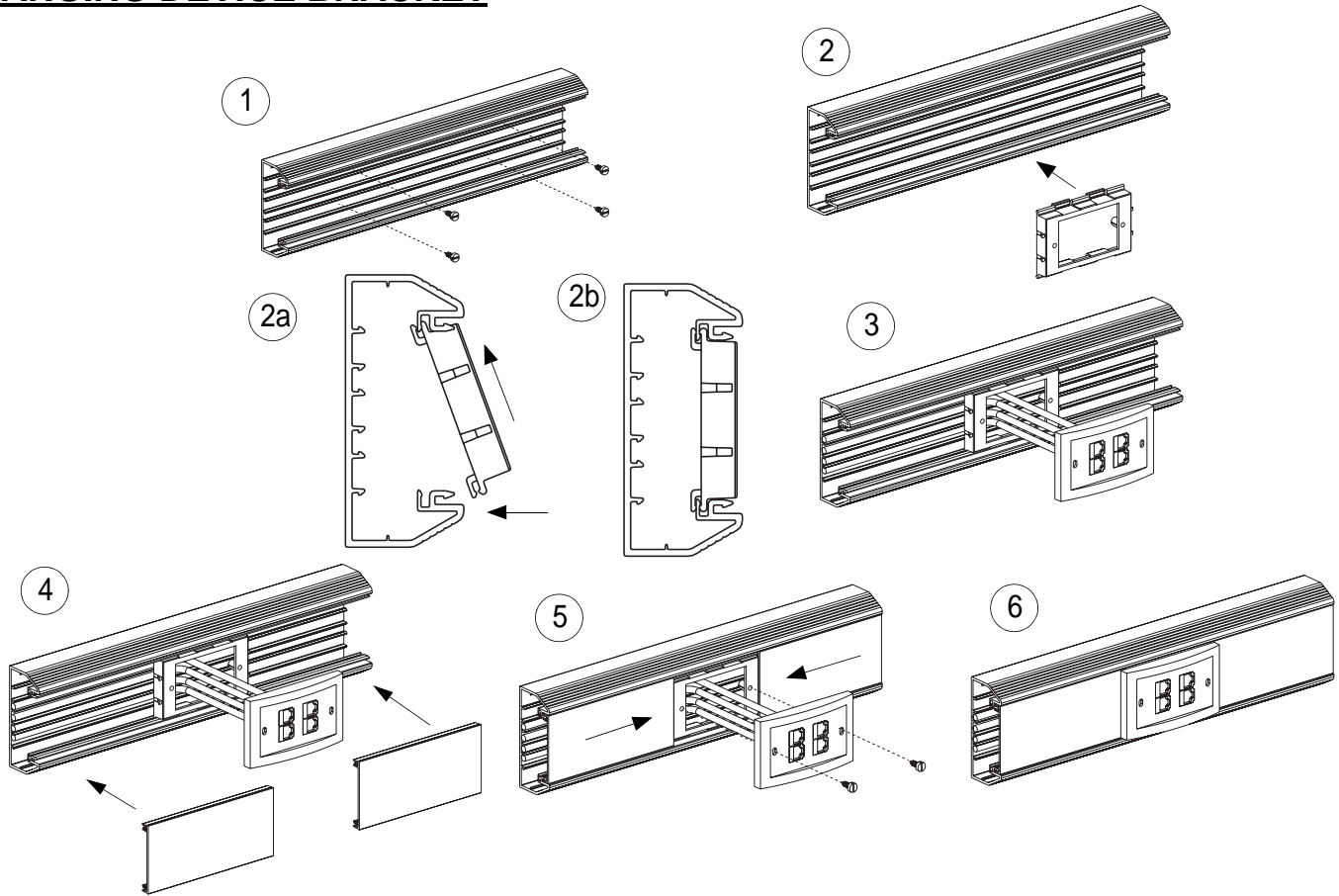


WIRE RETAINER

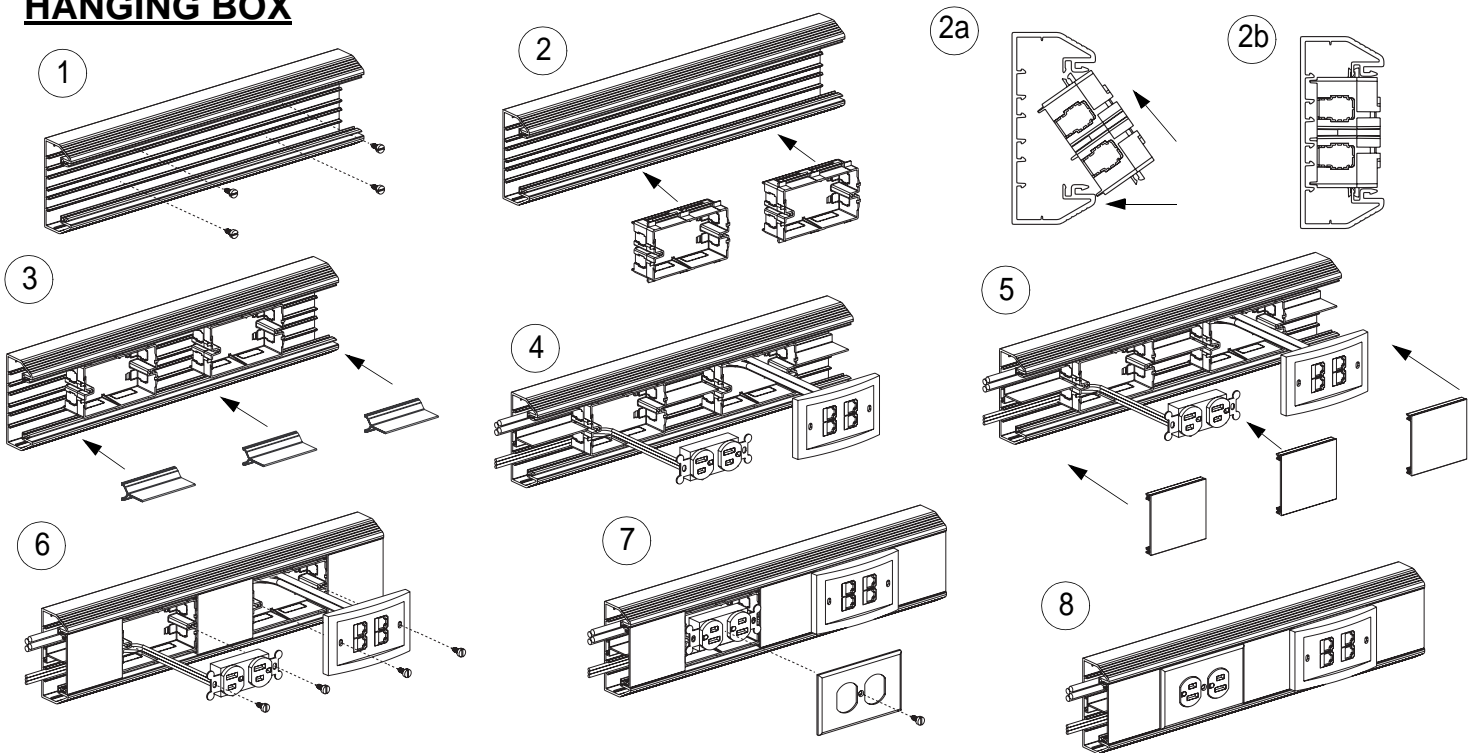


TYPE T70 RACEWAY SYSTEM INSTALLATION INSTRUCTIONS

HANGING DEVICE BRACKET



HANGING BOX



INSTRUCTION SHEET RW55B

WORLDWIDE SUBSIDIARIES AND SALES OFFICES

17301 Ridgeland Avenue
Tinley Park, IL 60477-3091
Web Site: www.panduit.com/ncg



Technical Support: 866-405-6656
Fax: 866-449-1702