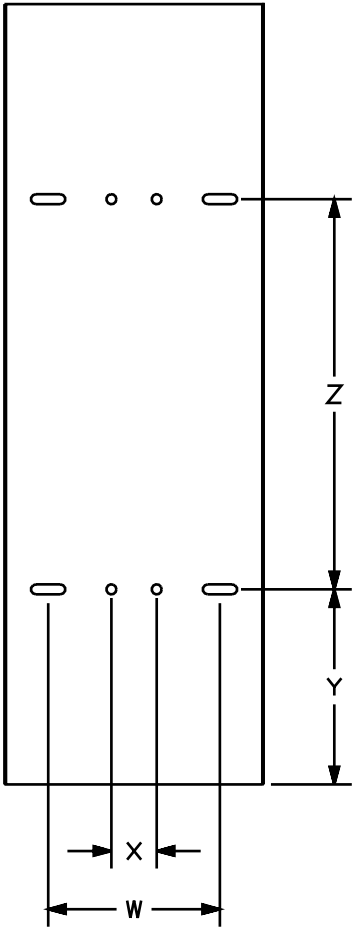


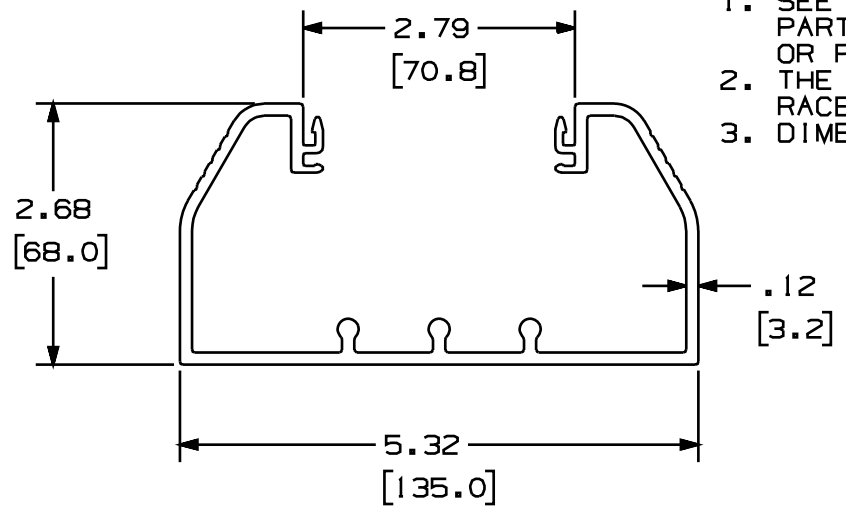
THIS COPY IS PROVIDED ON A RESTRICTED BASIS AND IS NOT TO BE USED IN ANY WAY DETRIMENTAL TO THE INTERESTS OF PANDUIT CORP.

PANDUIT PART NUMBER	LENGTH	WEIGHT	MOUNTING HOLE DIMENSIONS			
			"W"	"X"	"Y"	"Z"
TG70B**2 (SEE NOTE 4)	78.74 IN ±.13 IN (2000mm ±3.0mm)	7.4 LB/78.74 IN (3356g/2000mm)	3.52 (89)	0.93 (24)	3.37 (86)	8.00 (203)
TG70B**3 (SEE NOTE 4)	118.11 IN ±.13 IN (3000mm ±3.0mm)	11.1 LB/118.11 IN (5035g/3000mm)	3.52 (89)	0.93 (24)	3.06 (78)	8.00 (203)
TG70B**8	96.00 IN ±.13 IN (2438mm ±3.0mm)	9.0 LB/96.00 IN (4082g/2438mm)	3.52 (89)	0.93 (24)	4.00 (102)	8.00 (203)
TG70B**10	120.00 IN ±.13 IN (3048mm ±3.0mm)	11.3 LB/120.00 IN (5125g/3048mm)	3.52 (89)	0.93 (24)	4.00 (102)	8.00 (203)



NOTES:

1. SEE CURRENT CATALOG FOR ADDITIONAL PART SUFFIXES TO INDICATE COLORS AND OR PACKAGE QUANTITY.
2. THE TG70B IS USED WITH THE T70C RACEWAY COVER.
3. DIMENSIONS IN PARENTHESIS ARE IN METRIC.



CAD FILENAME/LAYERS		D37270BF_DC_TG70B_00A.prt	
PANDUIT CORP. TINLEY PARK, ILLINOIS			
TG-70 RACEWAY BASE (TG70C) CUSTOMER DRAWING			
UNLESS OTHERWISE SPECIFIED, DIMENSIONAL TOLERANCES ARE: (.X) ± (.XXX) ± .010(.3) (.XX) ± .031(.8) ANGLES ±		UNLESS OTHERWISE SPECIFIED, ALL DIMENSIONS ARE GIVEN IN INCHES, THIRD ANGLE PROJECTION.	
DRAWN BY MSO	MAT'L: PVC	SCALE NONE	
DATE 4-12-00	CHECKED BY CAZ	DRAWING NO. 37270-64	DRG A SIZE

REV	DATE	BY	CHK	DESCRIPTION	ECN	CHK	CUST	SUP
R	4-12-00	MSO	CAZ	RELEASED TO PRODUCTION	37270-64	HIW	HIW	