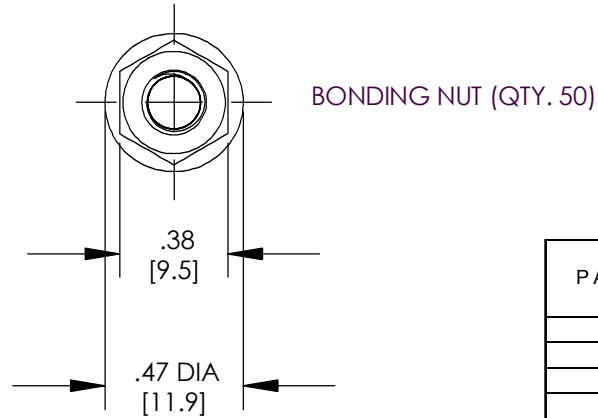
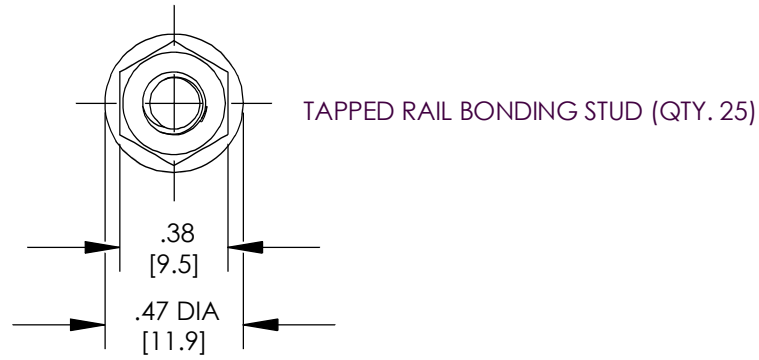
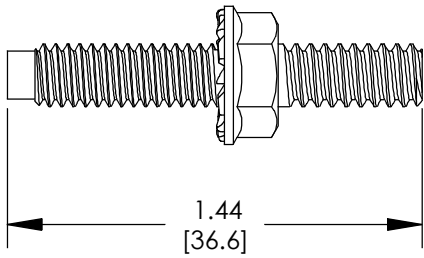


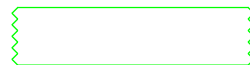
THIS COPY IS PROVIDED ON A RESTRICTED BASIS AND IS NOT TO BE USED IN ANY WAY DETRIMENTAL TO THE INTERESTS OF PANDUIT CORP.



NOTES:

1. TAPPED RAIL BONDING STUD KITS  
PART NUMBER: TRBSK  
TRBS1032K  
TRBSM6K  
TRBSM5K
2. PACKAGING: 4 KITS PER BOX
3. DIMENSIONS IN PARENTHESIS ARE MILLIMETERS.
4. ALL COMPONENTS THAT MAKE UP THIS KIT ARE RoHS COMPLIANT.

PART NUMBER	TAPPED RAIL BONDING STUD SIZE	QTY.	BONDING NUT SIZE	QTY.
TRBSK	#12-24	25	#12-24	50
TRBS1032K	#10-32	25	#10-32	50
TRBSM6K	M6	25	M6	50
TRBSM5K	M5	25	M5	50



5cc TUBE ANTI-OXIDANT PASTE (QTY. 1)

C41700\_00

REV	DATE	BY	CHK	DESCRIPTION	ECN	PM	CUST
00	2/07	JHNU	JMAR	DRAWING RELEASED	PC00674		

**PANDUIT CORP. TINLEY PARK, ILLINOIS**

TAPPED RAIL BONDING STUD KITS  
(TRBSK, TRBS1032K, TRBSM6K, TRBSM5K)  
CUSTOMER DRAWING

DRAWN BY JHNU    CHK'D    SCALE NONE    DRAWING NO / CAD FILE C41700