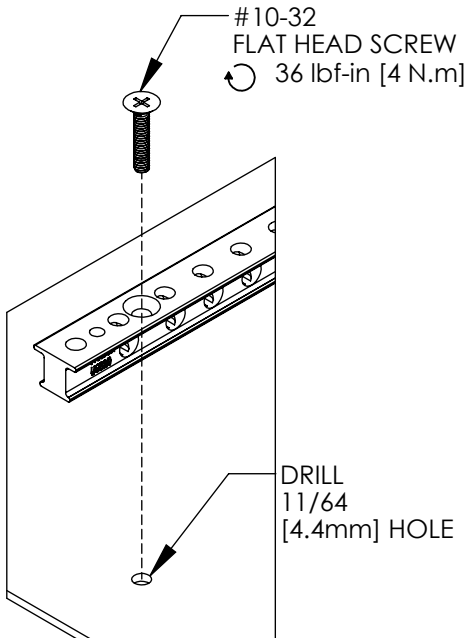
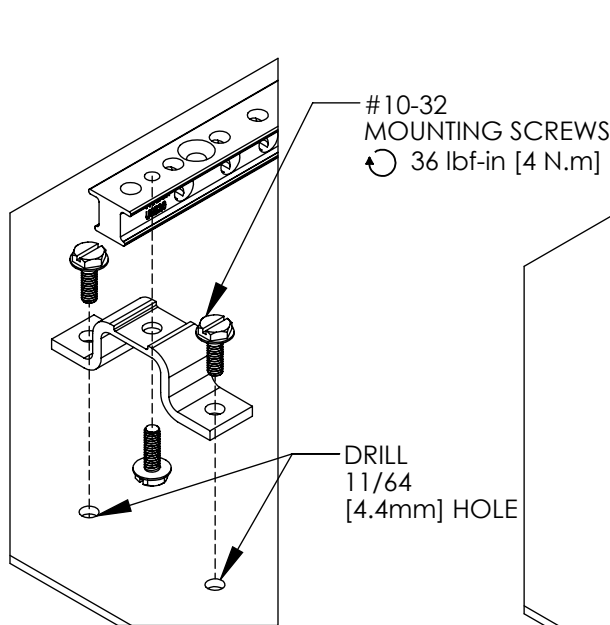


### MOUNTING UNIVERSAL GROUND BAR

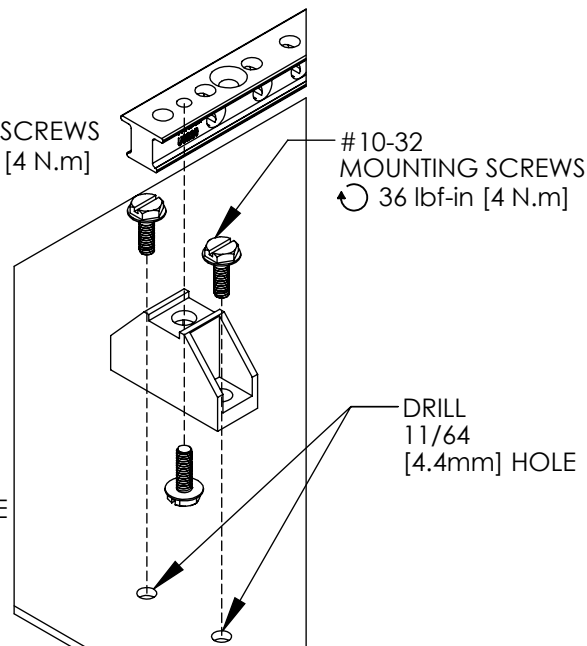
#### MOUNT DIRECTLY TO PANEL



#### MOUNT USING BONDING STAND-OFF UGB-B-SO

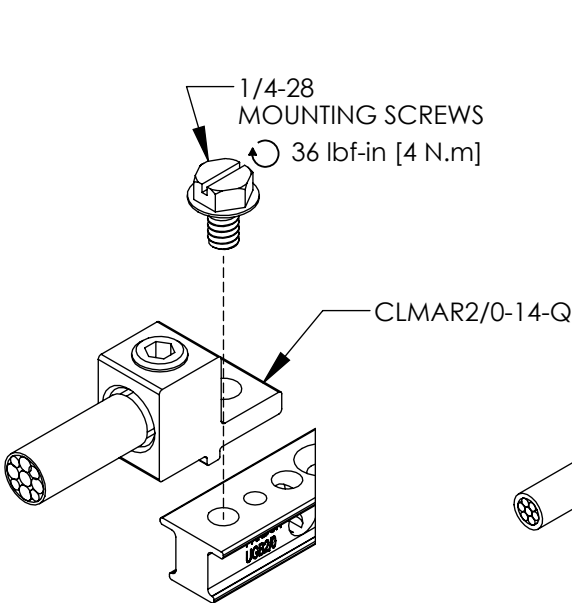


#### MOUNT USING ISOLATION STAND-OFF UGB-IN-SO

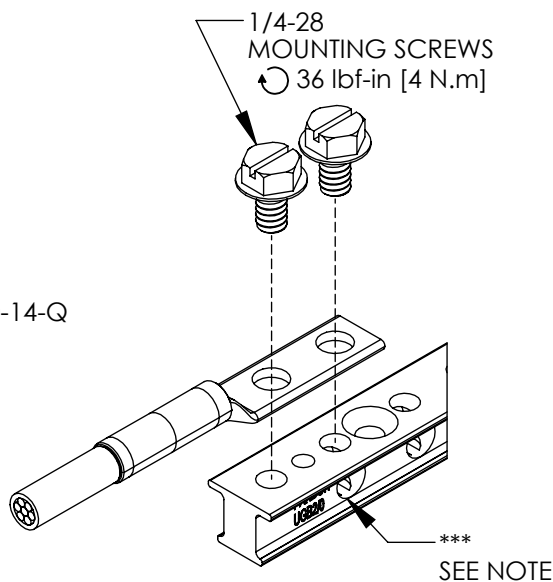


### \*ATTACHING "MAIN" EQUIPMENT GROUNDING CONDUCTOR TO UGB

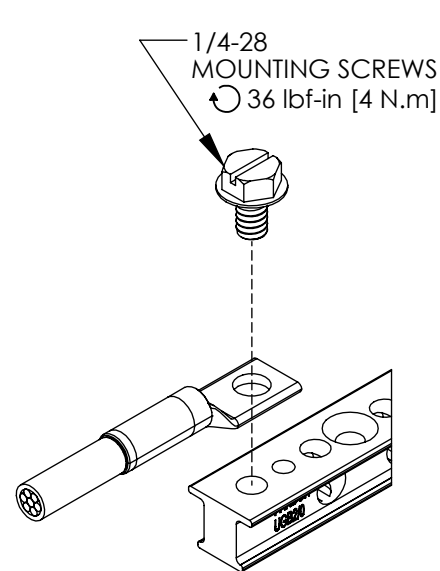
#### USING ANTI-ROTATIONAL CONNECTOR\*\* CLMAR2/0-14-Q



#### USING 2 HOLE COPPER COMPRESSION CONNECTOR\*\*, \*\*\*



#### USING 1 HOLE COPPER COMPRESSION CONNECTOR\*\*



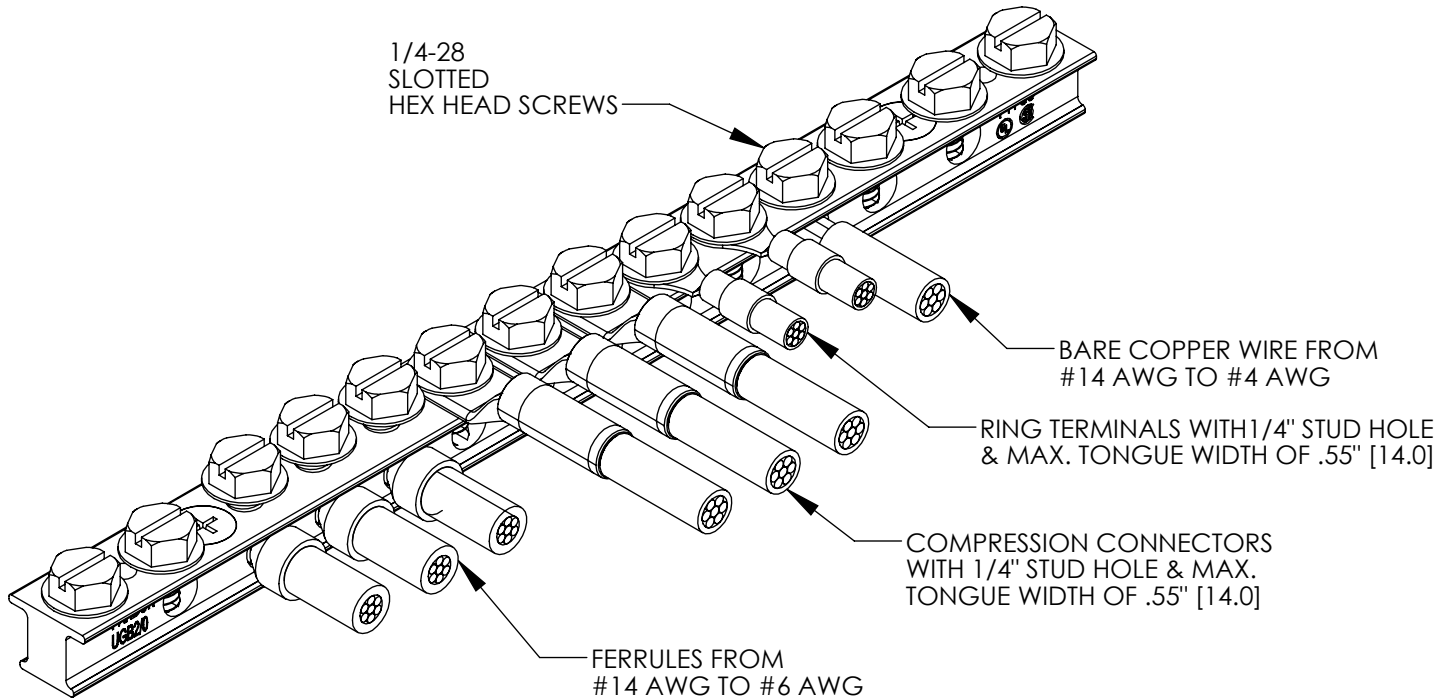
\* "MAIN" EQUIPMENT GROUNDING CONDUCTOR MAXIMUM OF 2/0 AWG COPPER CONDUCTOR

\*\* SEE PAGE 2 FOR CONNECTOR OPTIONS

\*\*\* WIRE PORT CANNOT BE USED WHEN CONNECTOR IS MOUNTED ABOVE WIRE PORT

# ATTACHING WIRES TO "PORT" CONNECTIONS\*

\* EQUIPMENT GROUNDING CONDUCTOR MAXIMUM #4 AWG COPPER



AFFIX INCLUDED GROUNDING STICKER IN CLOSE PROXIMITY TO GROUND BAR

TIGHTENING TORQUE - IN-LBS [N.m]	
CONDUCTOR SIZE	ATTACHMENT METHOD
	BARE WIRE / TERMINAL / LUG / FERRULE
14 AWG - 10 AWG	35 [4.0]
8 AWG	40 [4.5]
6 AWG - 4 AWG	50 [5.6]

## CONNECTOR OPTIONS FOR BOTH CODE AND FLEX WIRE

### 2 HOLE COPPER COMPRESSION CONNECTORS\*\*, 1/4" STUD HOLE WITH 5/8" SPACING:

PANDUIT PART SERIES: LCD, LCC, LCC-W, LCDX, LCCF, LCCX

### 1 HOLE COPPER COMPRESSION CONNECTORS\*\*, 1/4" STUD HOLE :

PANDUIT PART SERIES: LCAS, LCA, LCB, LCB-W, LCAX, LCAF, LCBX

### PANDUIT ANTI-ROTATIONAL COPPER MECHANICAL CONNECTOR:

PART # CLMAR2/0-14-Q (#14 AWG - 2/0 AWG)

### TERMINALS - RING PART SERIES:

PN-R, PN-RX, PNF-R, PV-R, PV-RX, PK-R, PH-R, PN-HDR, PV-HDR, PV-R, PV-RX, P-R, S-R, PMNF-R, PMV-R

### FERRULES TYPE:

FSD, F (12mm PIN LENGTH RECOMMENDED)

\*\* 2 HOLE AND 1 HOLE COPPER COMPRESSION CONNECTORS AVAILABLE WITH SHORT, STANDARD, AND LONG BARREL LENGTHS. BENT TONGUE AND NARROW TONGUE OPTIONS ARE ALSO AVAILABLE.

For Instructions in Local Languages and Technical Support:

[www.panduit.com/resources/install\\_maintain.asp](http://www.panduit.com/resources/install_maintain.asp)



[www.panduit.com](http://www.panduit.com)

E-mail: [cs@panduit.com](mailto:cs@panduit.com)

Fax: 708-444-6993