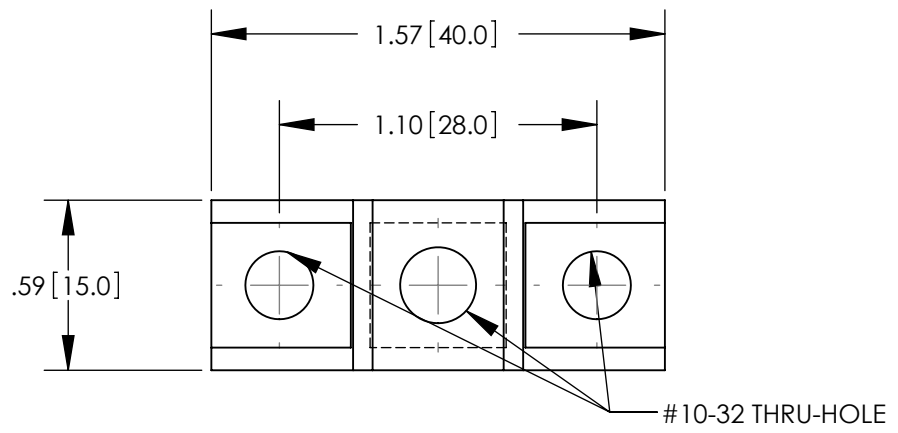
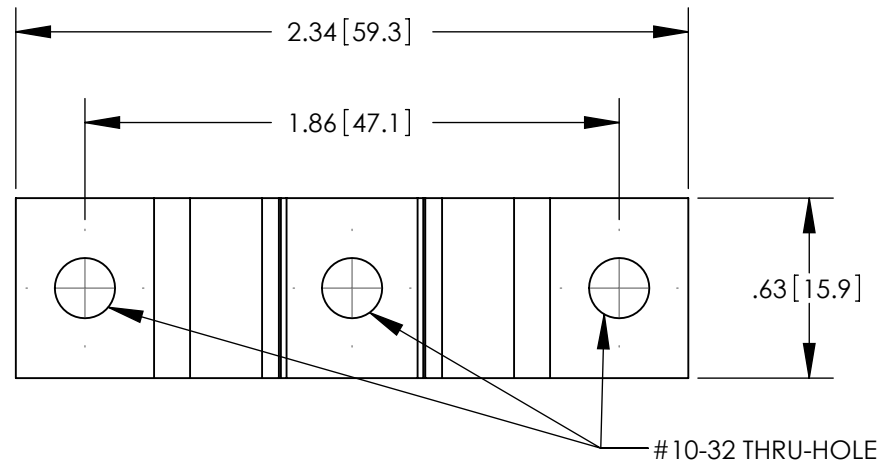
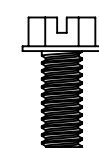
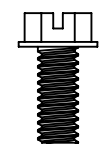
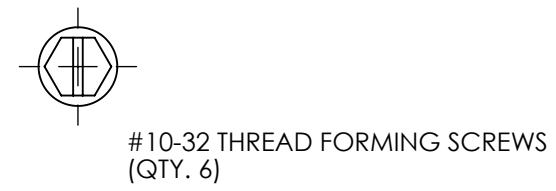
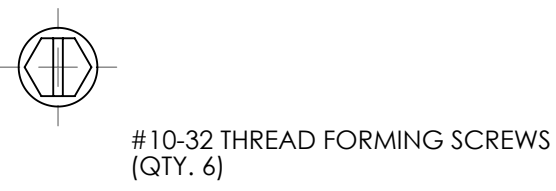
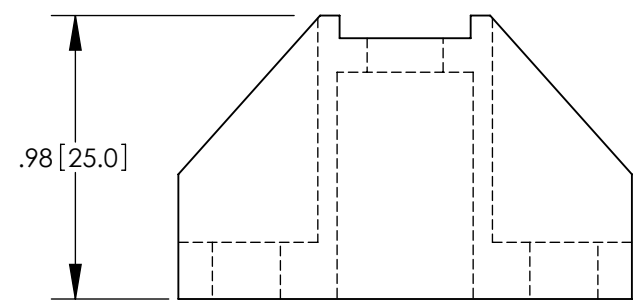
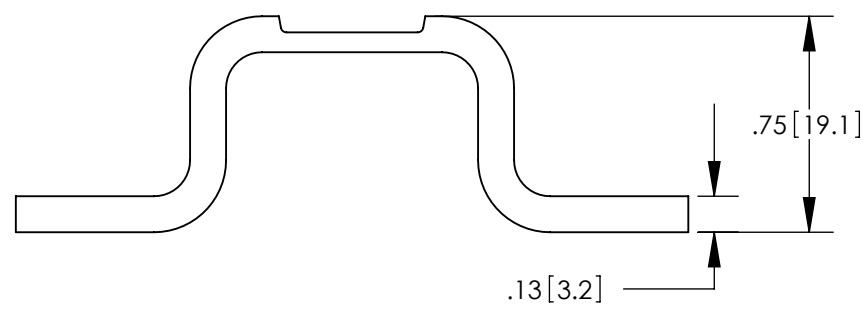


THIS COPY IS PROVIDED ON A RESTRICTED BASIS AND IS NOT TO BE USED IN ANY WAY DETRIMENTAL TO THE INTERESTS OF PANDUIT CORP.



NOTES:

- MATERIAL:  
 UGB-B-SO: CDA-110 ELECTROLYTIC COPPER, TIN PLATED  
 UGB-IN-SO: DMC GRADE DR17 RED HARD PLASTIC  
 UL 94 V-0 (HALOGEN FREE)  
 600V OF INSULATION
- DESIGNED FOR USE WITH PANDUIT UNIVERSAL GROUND BAR SYSTEM, UGB2/0 SERIES
- DIMENSIONS IN BRACKETS ARE MILLIMETERS



UGB-B-SO

UGB-IN-SO

|     |      |      |      |                        |             |     |     |  |  |  |  |  |  |
|-----|------|------|------|------------------------|-------------|-----|-----|--|--|--|--|--|--|
|     |      |      |      |                        |             |     |     |  |  | <b>PANDUIT CORP. TINLEY PARK, ILLINOIS</b>   |  |  |  |
|     |      |      |      |                        |             |     |     |  |  | UNIVERSAL GROUND BAR BONDING & ISOLATION STAND-OFFS<br>(UGB-B-SO, UGB-IN-SO)<br>CUSTOMER DRAWING                                 |  |  |  |
|     |      |      |      |                        |             |     |     |  |  | UNLESS OTHERWISE SPECIFIED<br>DIMENSIONAL TOLERANCES ARE:<br>(.X) ±                    (.XXX) ±<br>(.XX) ± .02 [0.5]    ANGLES ± |  | UNLESS OTHERWISE SPECIFIED,<br>ALL DIMENSIONS ARE GIVEN IN<br>INCHES, THIRD ANGLE PROJECTION |  |
|     |      |      |      |                        |             |     |     |  |  | DRAWN BY<br>JHNU   |  | SCALE<br>NONE  |  |
|     |      |      |      |                        |             |     |     |  |  | DATE<br>1/12   |  | DRAWING NO / CAD FILE<br>10J017CC-JC   |  |
|     |      |      |      |                        |             |     |     |  |  | CHK'D<br>SRBI  |  | DWG<br>B<br>SIZE   |  |
| 00  | 1/12 | JHNU | SRBI | RELEASED TO PRODUCTION | 10J017CC-JC | RGB | RGB |  |  |  |  |  |  |
| REV | DATE | BY   | CHK  | DESCRIPTION            | ECN         | -R  | SUP |  |  |  |  |  |  |