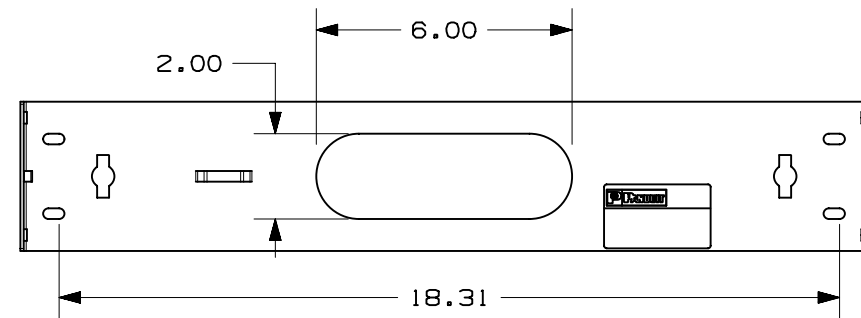
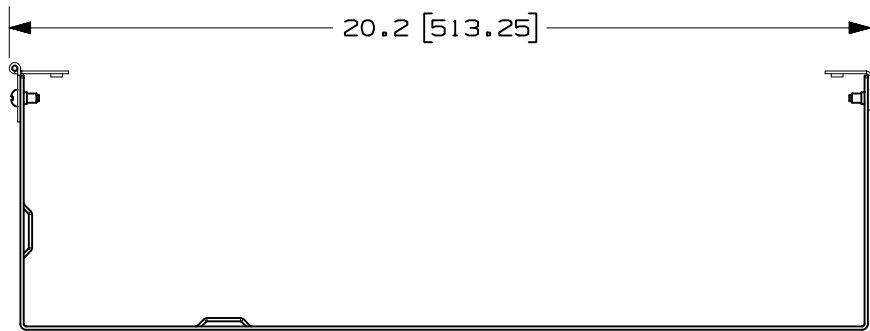
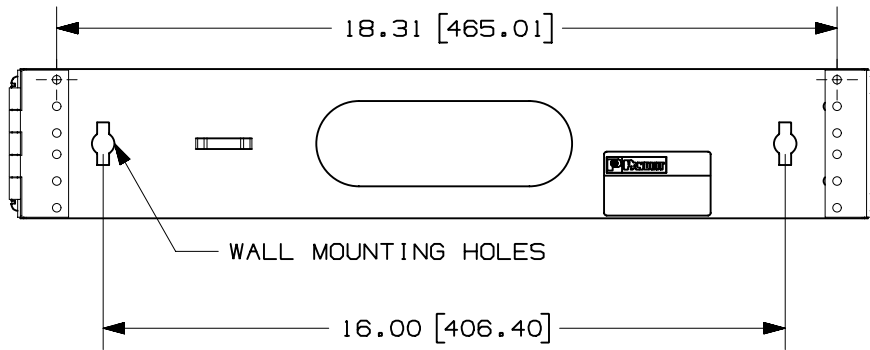


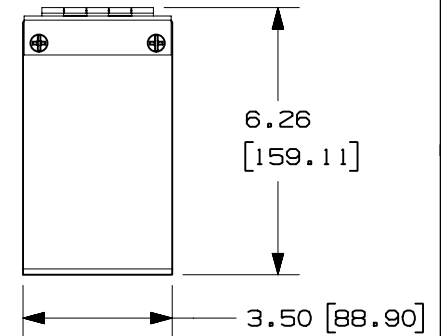
THIS COPY IS PROVIDED ON A RESTRICTED BASIS AND IS NOT TO BE USED IN ANY WAY DETRIMENTAL TO THE INTERESTS OF PANDUIT CORP.



PANDUIT P/N	WEIGHT
WBH2	3.8 LBS/EACH 1723 g/EACH

NOTES:

1. VISIT OUR ON-LINE CATALOG AT WWW.PANDUIT.COM FOR A CURRENT LIST OF PRODUCTS APPLICABLE FOR USE WITH THIS PART.
2. COMPONENTS:
1- WBH2
4- #12-24 X 1/2" SCREWS
3. DIMENSIONS IN PARENTHESIS ARE METRIC.



MODEL FILENAME		D35331AA_WBH2_01.PRT									
CAD FILENAME/LAYERS		D35331AA_DC_01A.PRT									
<h1>PANDUIT</h1> CORP. TINLEY PARK, ILLINOIS											
<h2>WBH2 CUSTOMER DRAWING</h2>											
UNLESS OTHERWISE SPECIFIED, DIMENSIONAL TOLERANCES ARE:		UNLESS OTHERWISE SPECIFIED, ALL DIMENSIONS ARE GIVEN IN INCHES, THIRD ANGLE PROJECTION.									
(.X) ± .03 (.XX) ± .015		(.XXX) ± .005 ANGLES ± 1°									
DRAWN BY	JDWE	MAT'L:	STEEL - POWDER COATED BLACK								
DATE	10-28-03	SCALE	NONE								
CHK'D		DRAWING NO.	35331-26								
REV	DATE	BY	CHK	DESCRIPTION	ECN	R	CUST	SUP	OTH	DWG SIZE	A

R	10-28-03	JDWE		RELEASED TO PRODUCTION	35331-26					
REV	DATE	BY	CHK	DESCRIPTION	ECN	R	CUST	SUP	OTH	