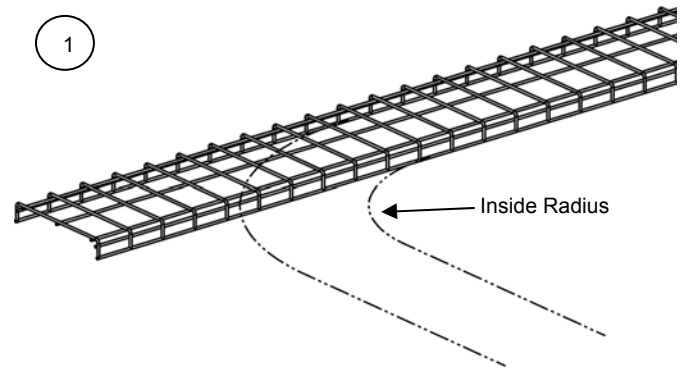
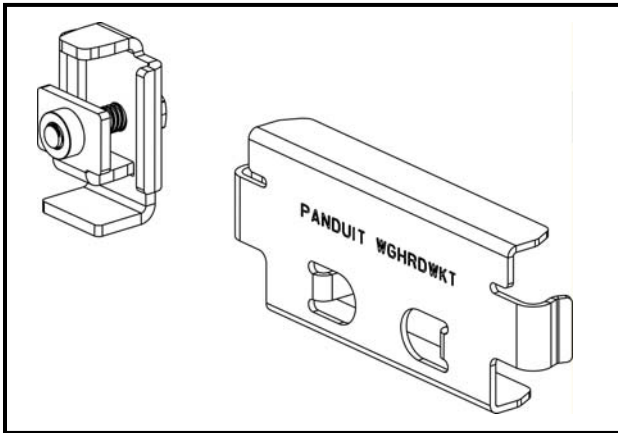


## WYR-GRID HARDWARE KIT (SWEEPING BEND RADIUS)

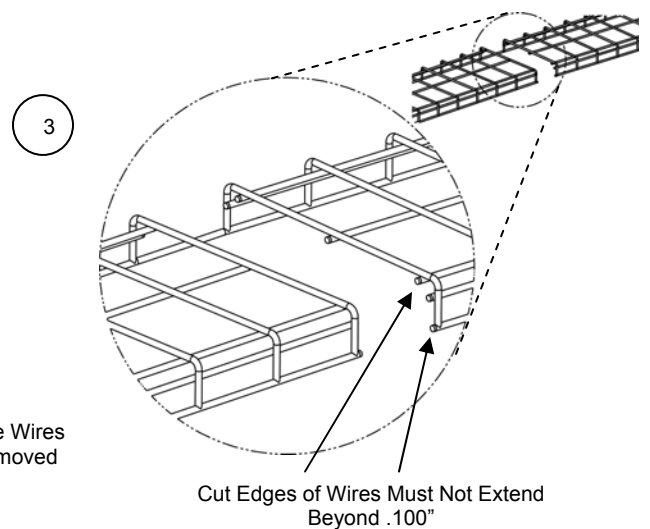
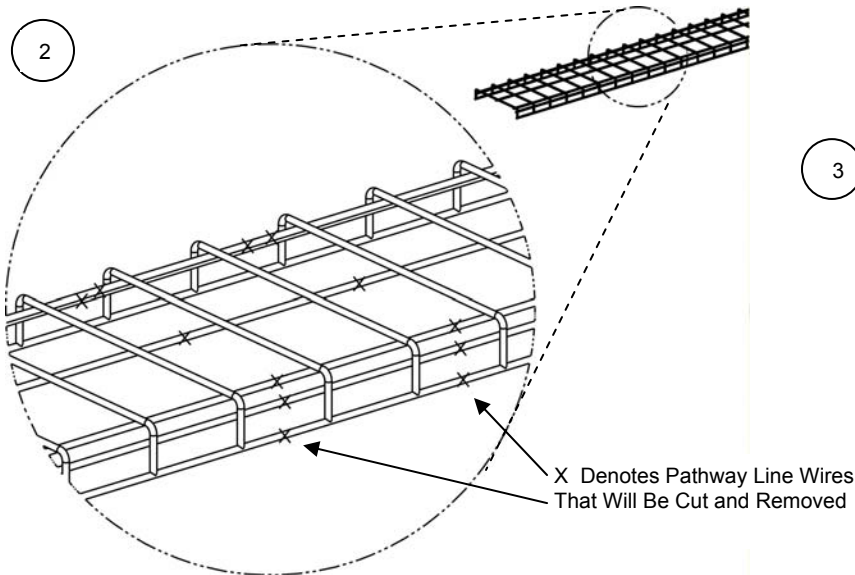
Panduit Part Number: WGHRDWKT\*\*

### INSTALLATION INSTRUCTIONS

© 2011 PANDUIT Corp.

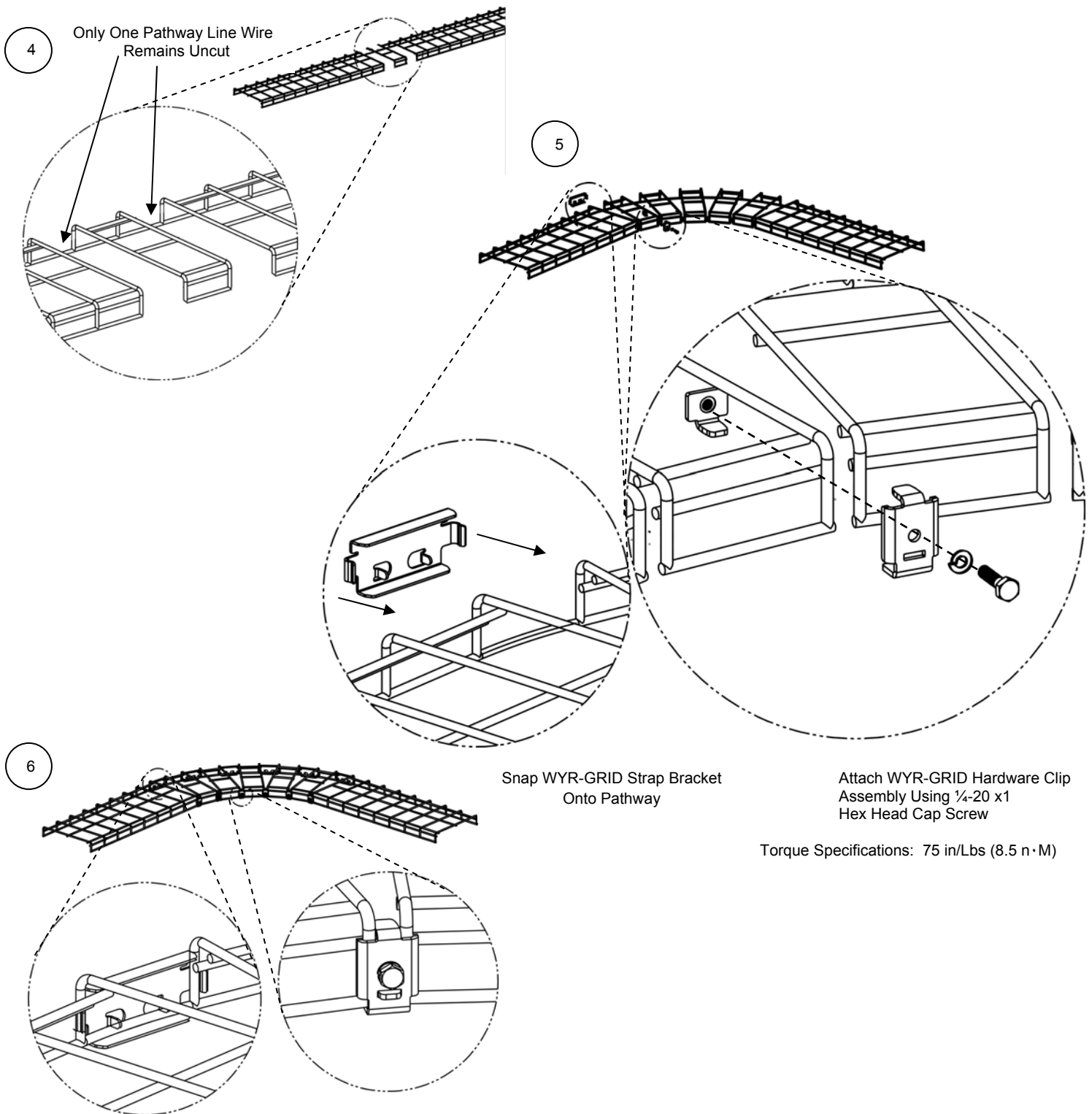


PATHWAY WIDTH	NUMBER OF WGHRDWKT NEEDED FOR 90 DEG. BEND	INSIDE RADIUS OF PATHWAY
12"	6	15.8"
18"	9	24.4"
24"	12	33.4"
30"	15	41.5"



# INSTALLATION INSTRUCTIONS

## WYR-GRID HARDWARE KIT ( SWEEPING BEND RADIUS) – Typical Installation Continued...



Instruction Sheet RW279

### WORLDWIDE SUBSIDIARIES AND SALES OFFICES

18900 Panduit Drive  
Tinley Park, IL 60487  
Web Site: [www.panduit.com](http://www.panduit.com)

**PANDUIT**<sup>®</sup>  
RACK SYSTEMS DIVISION

Fax: 708-532-1811  
Technical Support: 800-777-3300  
E-mail: [cs@panduit.com](mailto:cs@panduit.com)