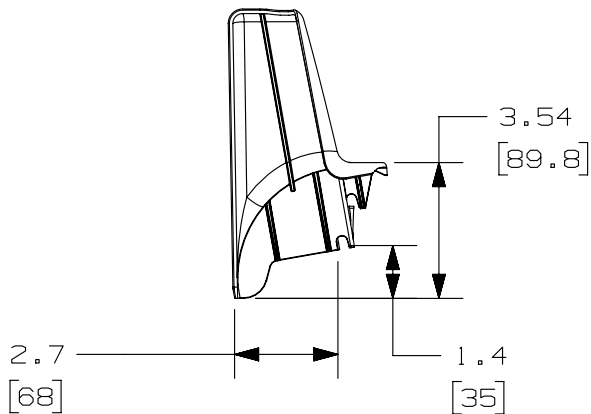
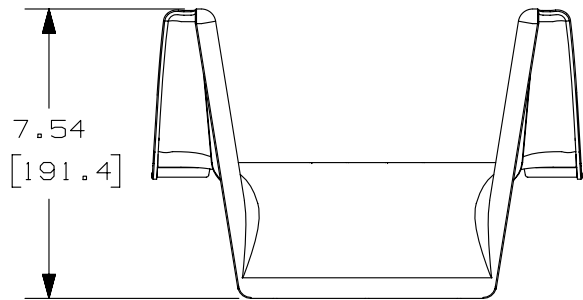
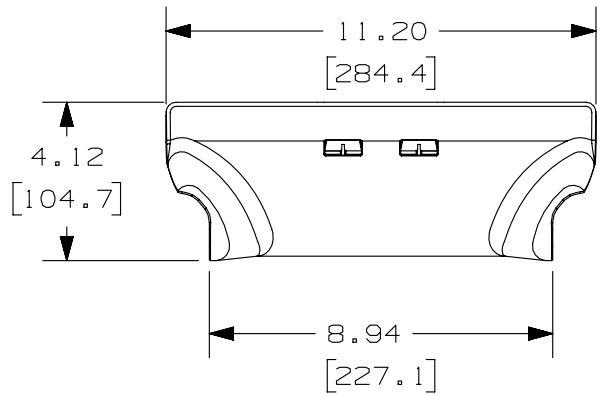
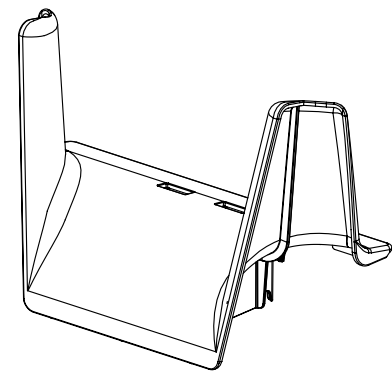


THIS COPY IS PROVIDED ON A RESTRICTED BASIS AND IS NOT TO BE USED IN ANY WAY DETRIMENTAL TO THE INTERESTS OF PANDUIT CORP.



APPROXIMATE DISTANCE FROM SIDE OF WYR-GRID PATHWAY

APPROXIMATE DISTANCE FROM BOTTOM OF WYR-GRID PATHWAY



NOTES:

1. SEE CURRENT CATALOG FOR ADDITIONAL PART SUFFIXES TO INDICATE PACKAGE QUANTITY.
2. FINISH COLOR: BLACK
3. DIMENSIONS IN PARENTHESES ARE METRIC..

PANDUIT PART NUMBER	WEIGHT
WGSWF4	0.52 LB/EACH (234 g/EACH )

TITLE		<b>WYR-GRID 4" SIDE WATERFALL (WGSWF4)</b>	
		CUSTOMER DRAWING	
ITEM REVISION NAME		10D145BB/00	
DATASET FILE NAME		10D145BB_DC/00A_WGSWF4	
UNLESS OTHERWISE SPECIFIED, DIMENSIONAL TOLERANCES ARE: IN ( mm )		<b>PANDUIT</b> ™	
.X ±		.XXX ±	
.XX ±		ANGLES ±	
MATERIAL:		ABS/ BLACK	
DRAWING NUMBER:		10D145BB-DC	
THIRD ANGLE PROJECTION	SHT 1 OF 1		
DRAWN BY	DATE	CHK	SCALE
SSP	02-12-13	EB	NONE
REV	DATE	BY	CHK
R	02-12-13	SSP	EB
APR		RN	
DESCRIPTION		ECN	
RELEASED TO PRODUCTION		10D145BB-DC	

D10100DA/12