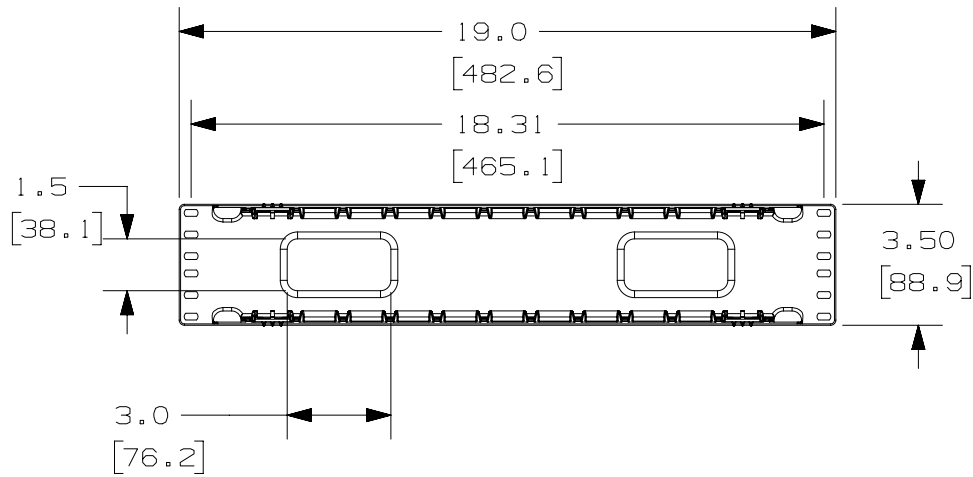


THIS COPY IS PROVIDED ON A RESTRICTED BASIS AND IS NOT TO BE USED IN ANY WAY DETRIMENTAL TO THE INTERESTS OF PANDUIT CORP.

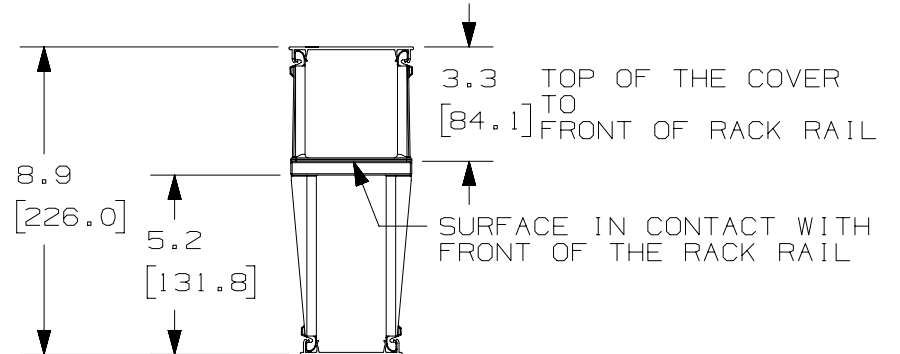
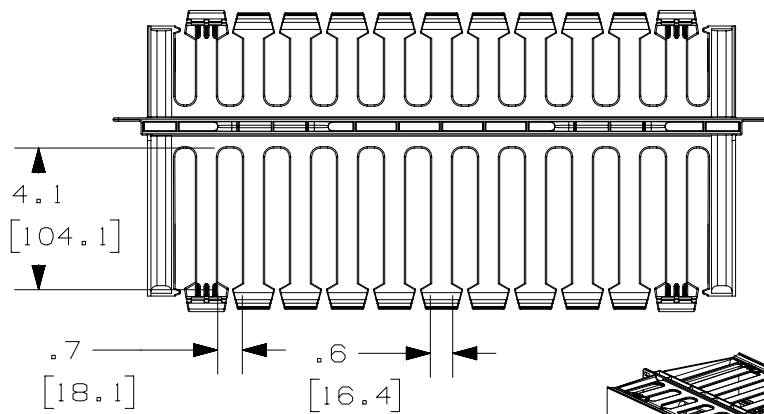


PANDUIT P/N	WEIGHT
WMP1E	2.3 LBS/EACH 1043 g/EACH

NOTES:

- DESIGNED FOR MOUNTING ON 19" EIA RACKS.
- COMPONENTS:  
1- MANAGER  
2- 17" X 3.6" DUAL HINGED COVERS  
4- #12-24 X 1/2" SCREWS
- DIMENSIONS IN PARENTHESES ARE METRIC.

MAX STORAGE TEMPERATURE 65°C (149°F)  
MAX OPERATING TEMPERATURE 60°C (140°F)



TITLE										
<b>WMP1E HORIZONTAL MANAGER</b>										
CUSTOMER DRAWING										
ITEM REVISION NAME					V10101AA/09					
DATASET FILE NAME					V10101AA_DC/09B					
					THIRD ANGLE PROJECTION					
MATERIAL					ABS					
DRAWING NUMBER					V10101AA-DC					
09B	5-11-20	JBO	JCO	JEFK	ADDED TEMPERATURE NOTE	M09000LT				
REV	DATE	BY	CHK	APR	DESCRIPTION	ECN	DRAWN BY	DATE	CHK	SCALE
							JDWE	12-17-02	MECA	NONE
SHEET 1 OF 1										
A										

A-SIZE CUSTOMER