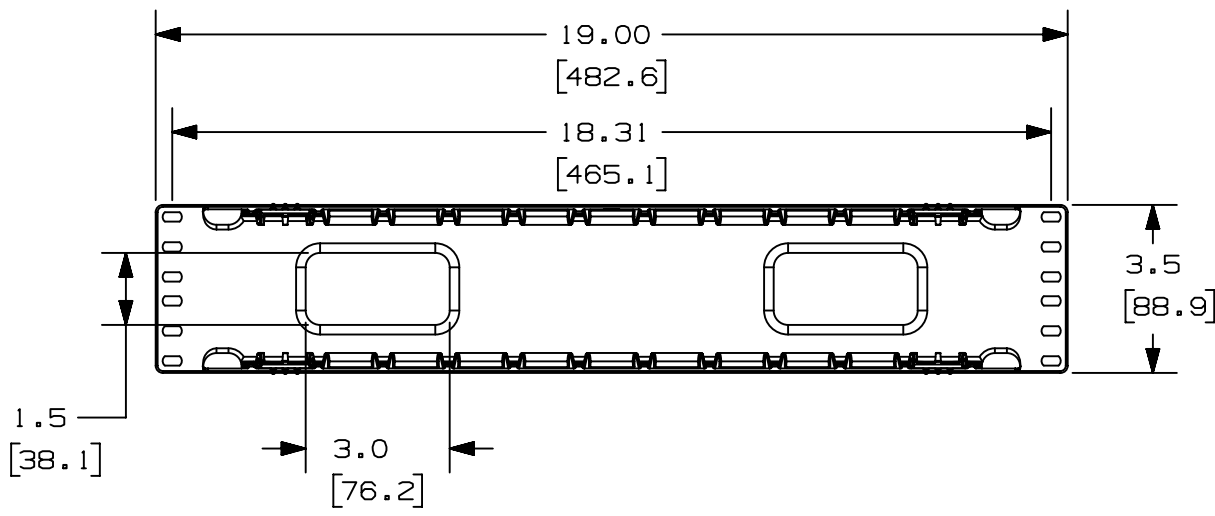


2

1

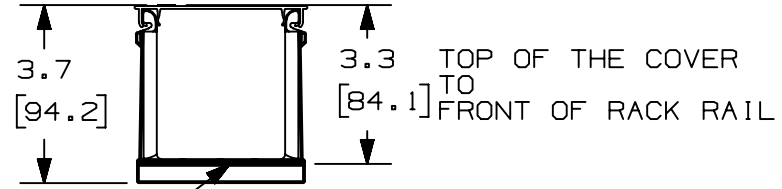
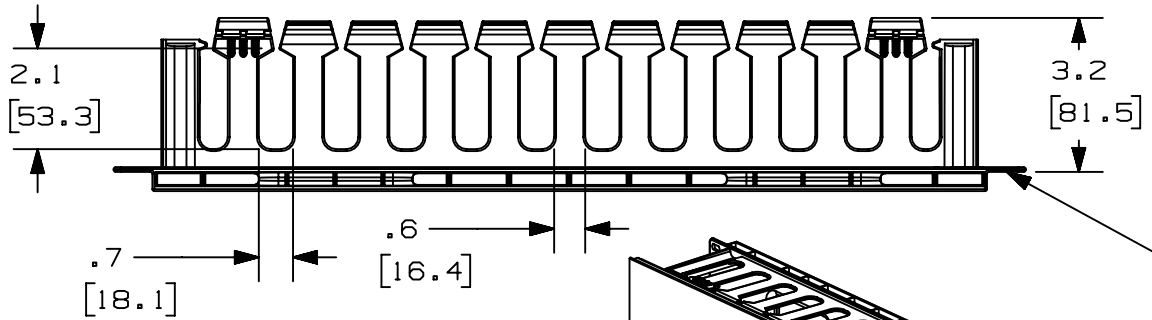
THIS COPY IS PROVIDED ON A RESTRICTED BASIS AND IS NOT TO BE USED IN ANY WAY DETRIMENTAL TO THE INTERESTS OF PANDUIT CORP.



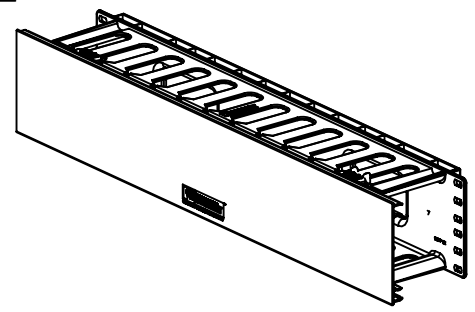
PANDUIT P/N	WEIGHT
WMPF1E	1.2 LBS/EACH 544 g/EACH

- NOTES:
- DESIGNED FOR MOUNTING ON 19" EIA RACKS.
 - COMPONENTS:
1- MANAGER
1- 17" X 3.6" DUAL HINGED COVER
4- #12-24 X 1/2" SCREWS
 - DIMENSIONS IN PARENTHESES ARE METRIC.

MAX STORAGE TEMPERATURE 65° C (149° F)
MAX OPERATING TEMPERATURE 60° C (140° F)



SURFACE IN CONTACT WITH FRONT OF THE RACK RAIL



TITLE										
WMPF1E HORIZONTAL MANAGER										
CUSTOMER DRAWING										
ITEM REVISION NAME					V10101AB/08					
DATASET FILE NAME					V10101AB_DC/08B					
					THIRD ANGLE PROJECTION					
MATERIAL					ABS					
DRAWING NUMBER					V10101AB-DC					
DRAWN BY					DATE		CHK		SCALE	
JDWE					12-17-02		MECA		NONE	
SHEET 1 OF 1									A	

A-SIZE CUSTOMER

08B	5-11-20	JBO	JCO	JEFK	ADDED TEMPERATURE NOTE	M09000LT
REV	DATE	BY	CHK	APR	DESCRIPTION	ECN

2

1