

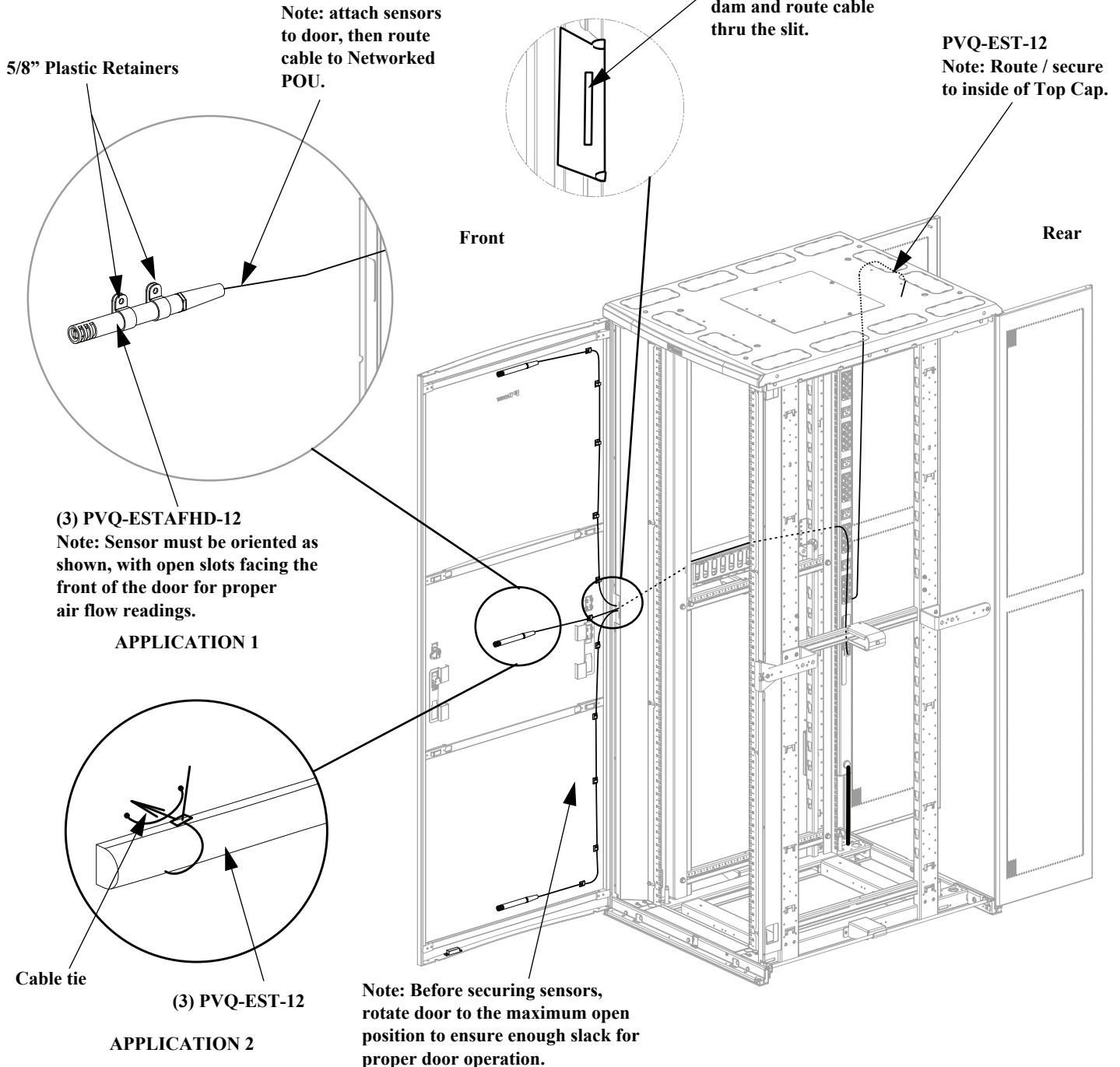
INSTRUCTIONS CM539

© Panduit Corp. 2011

Installation of Environmental Sensors

Recommended sensor placement includes (3) temperature / humidity / airflow / dewpoint sensors and (1) Temperature Sensor.

- Install (3) PVQ-ESTAFHD-12 to the front door using (6) 5/8" plastic retainers, (6) #6-32 screws, (6) #6-32 nuts (or cable ties for PVQ-EST-12), and route cable on door using small clips (ACC19-AV-M300).
- Install (1) temperature sensor in the rear of cabinet, route cable using cable ties.



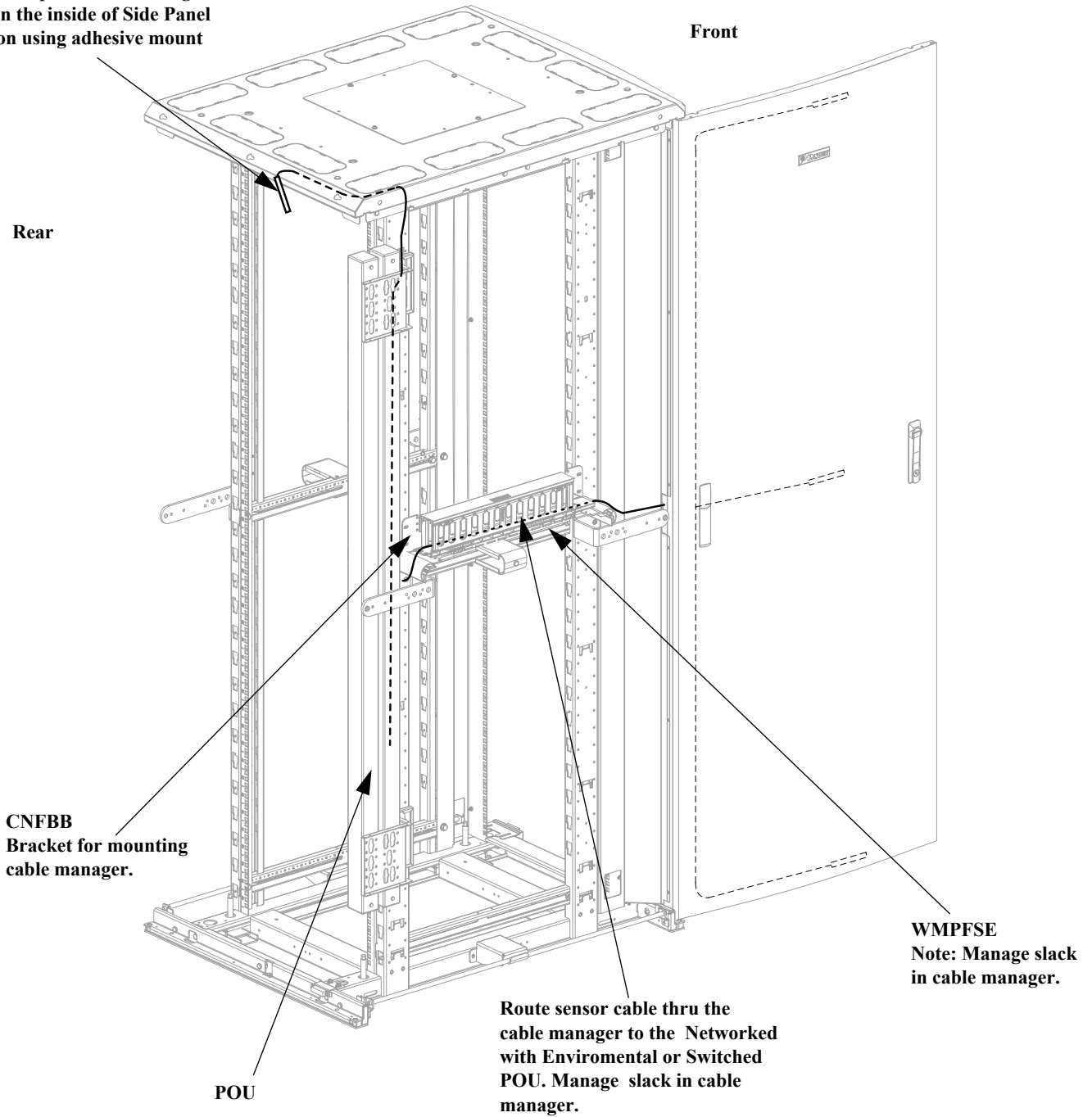
For Technical Support: www.panduit.com/resources/install_maintain.asp

Routing Sensor cable to Networked with Environmental or Switched POU

- Route cable to Networked with Environmental or Switched POU, as shown below after mounting CNFBB and WMPFSE.

(1) Temperature Sensor

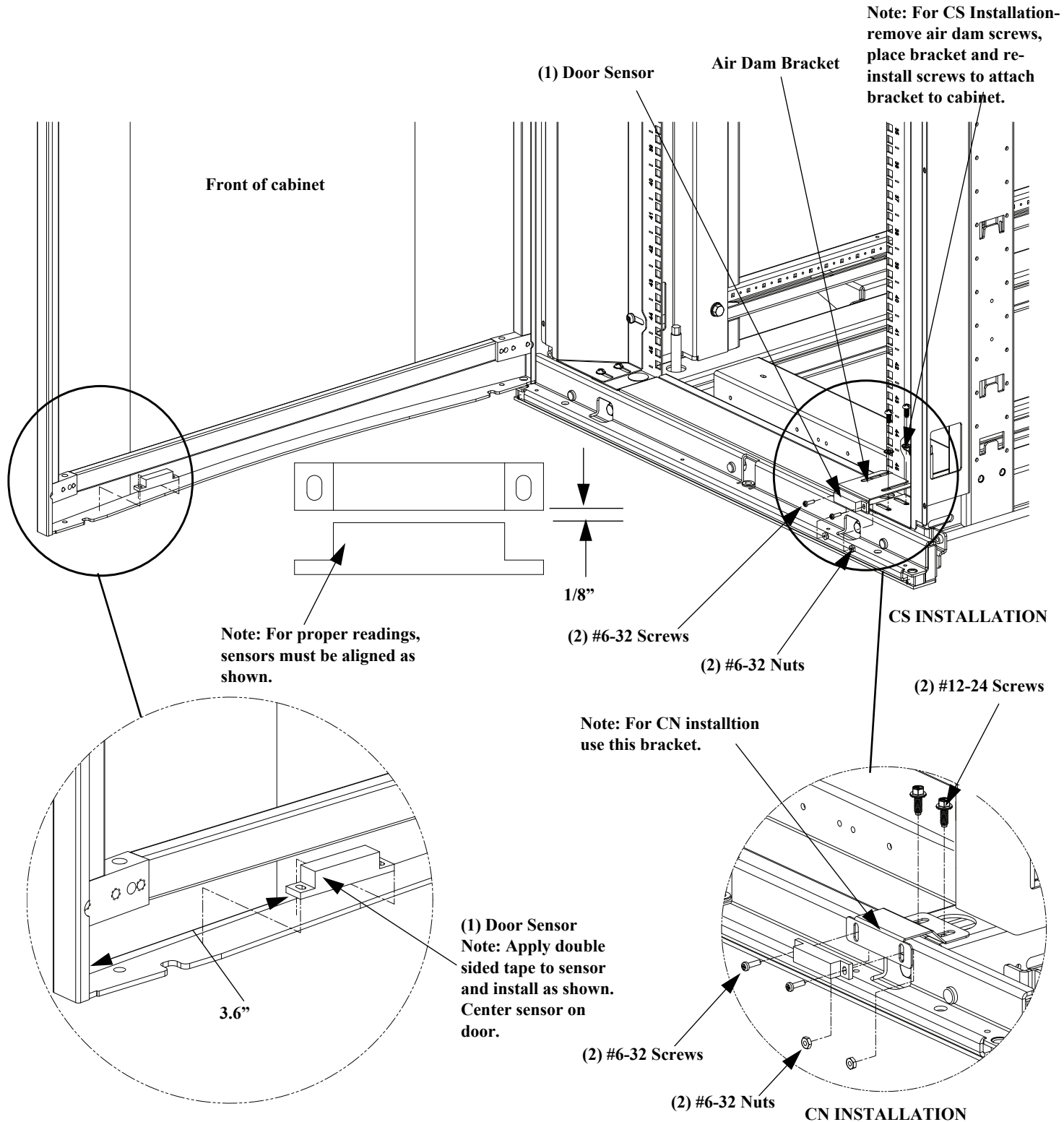
Note: Manage sensor cable slack on cabinet post or on rear of the POU, using adhesive back clips. For 48" Deep Cabinets manage slack on the inside of Side Panel extension using adhesive mount clips.



REAR DOORS REMOVED FOR CLARITY

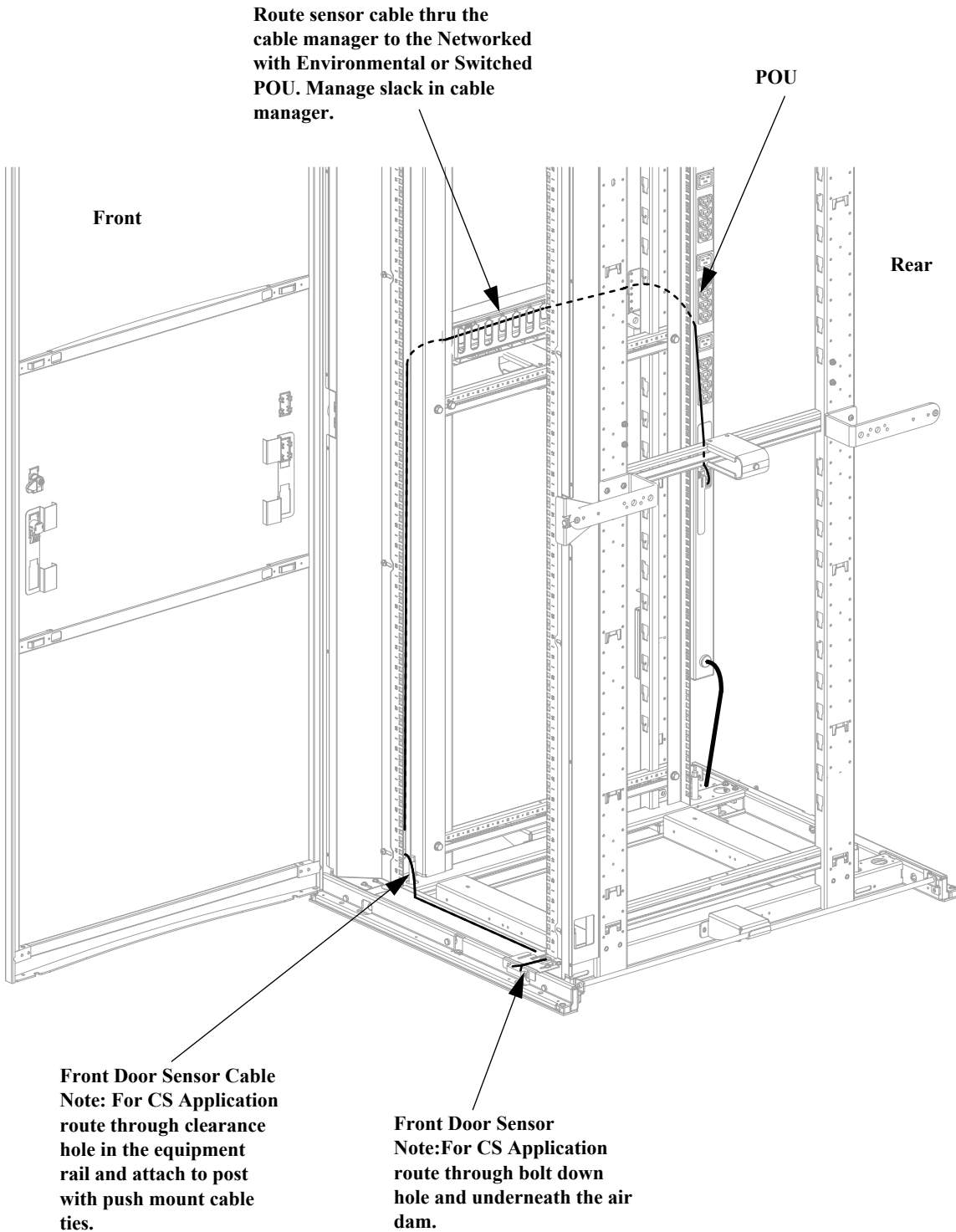
Installation of Front Door Sensors

- For CS Cabinet: Install (1) door sensor with (1) air dam bracket, (2) #6-32 nuts, and (2) #6-32 screws.
- For CN Cabinet: Install (1) door sensor with (1) front door bracket, (2) #6-32 nuts, and (2) #6-32 screws.
- Install (1) sensor with (1) double sided tape.
- Note: Ensure proper alignment with mating frame sensor before permanently affixing sensor with double sided tape on door.



Front Door Sensor Cable Routing

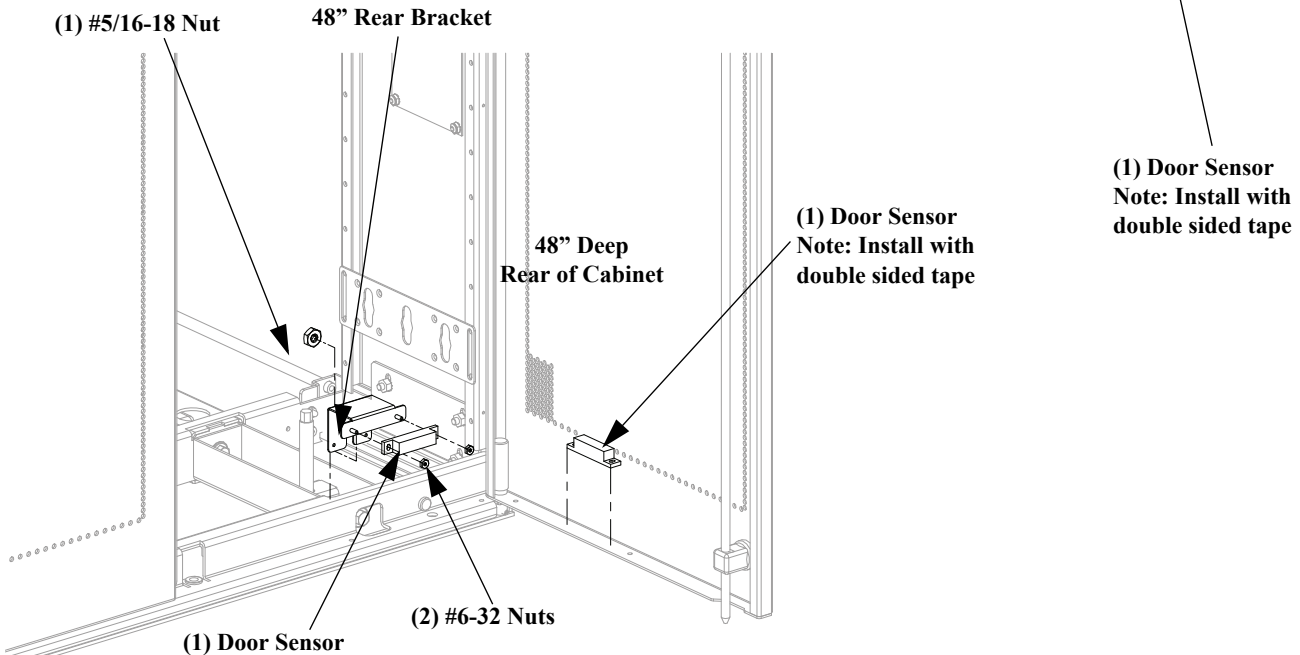
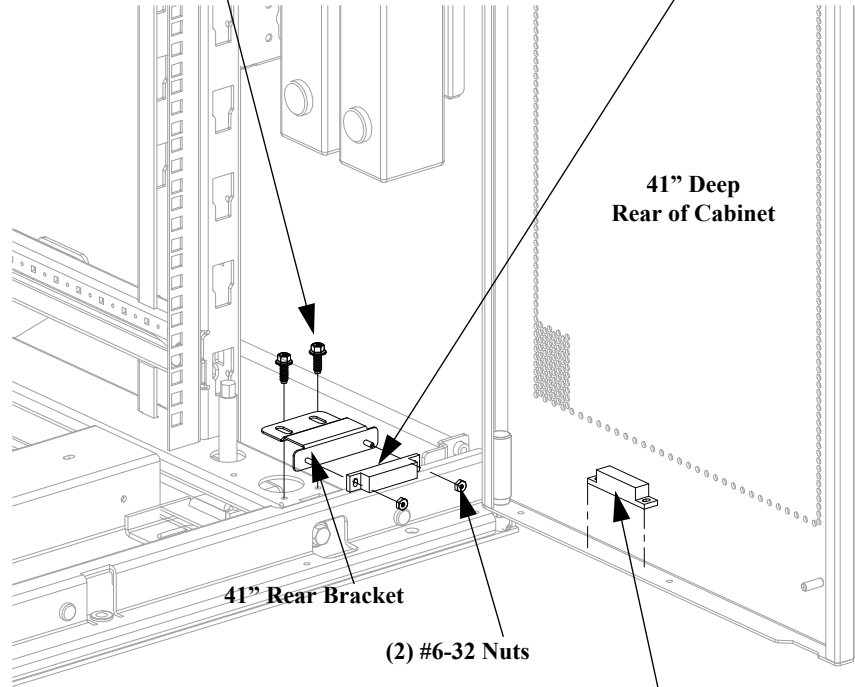
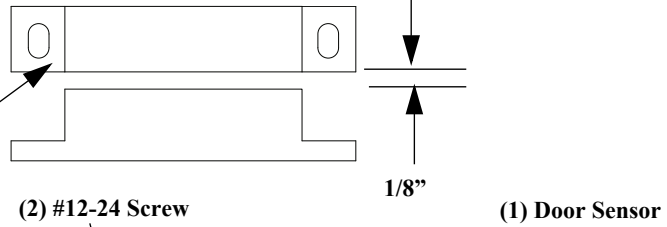
- Route front door sensor cable to the Networked with Environmental or Switched POU in the rear of the cabinet, as shown below.



Installation of Rear Door Sensors

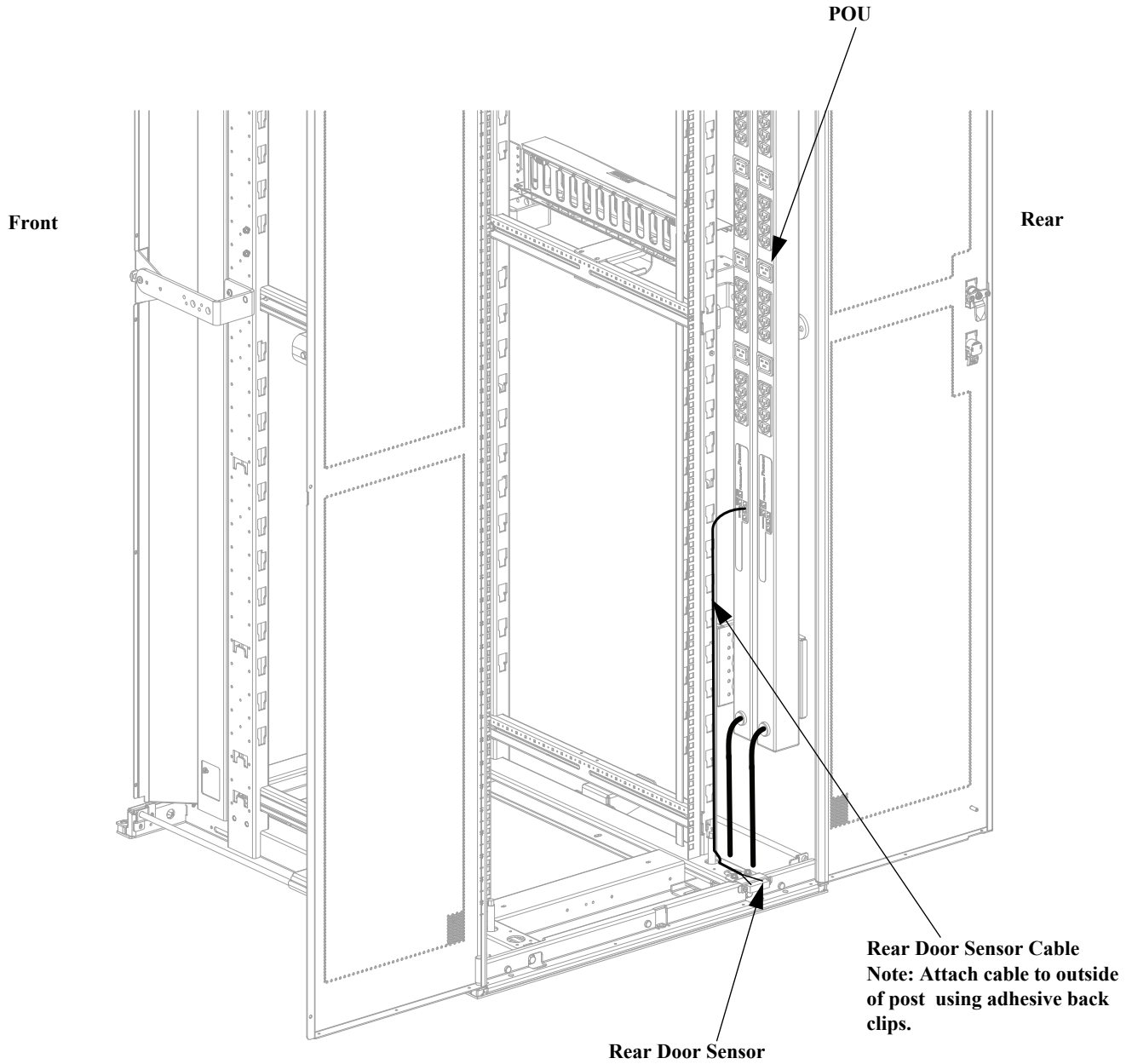
- For 41" Deep: Install (2) rear door sensors with (1) 41" rear bracket, (1) double sided tape, (2) #6-32 nuts, and (2) #12-24 screw.
- For 48" Deep: Install (2) rear door sensors with (1) 48" rear bracket, (1) double sided tape, (2) #6-32 nuts, and (2) #12-24 screw.

Note: For proper readings, sensors must be aligned as shown.



Rear Door Sensor Cable Routing

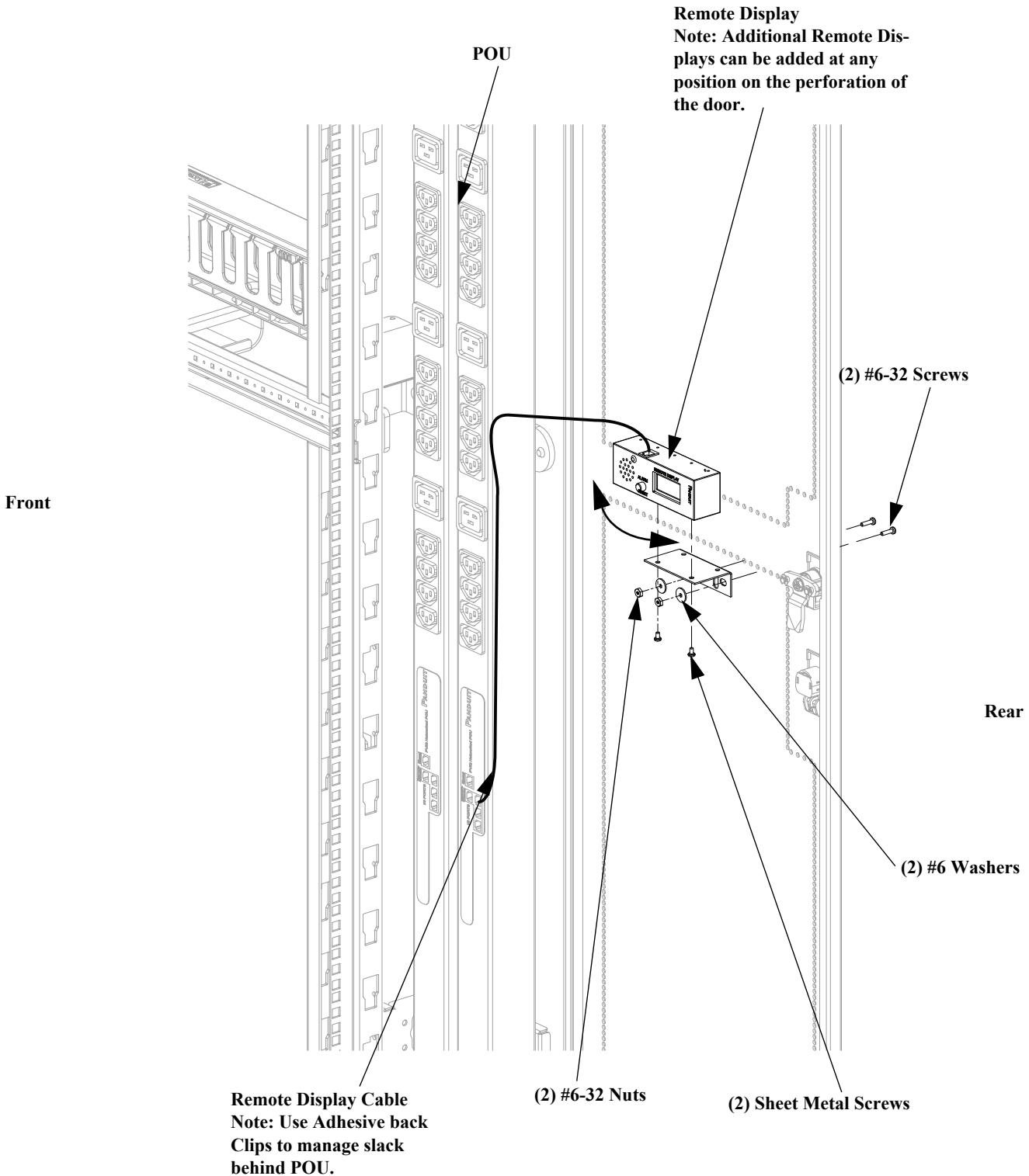
- Route rear door sensor cable to Networked with Environmental or Switched POU, as shown below.



Installation of Remote Display / Cable Routing

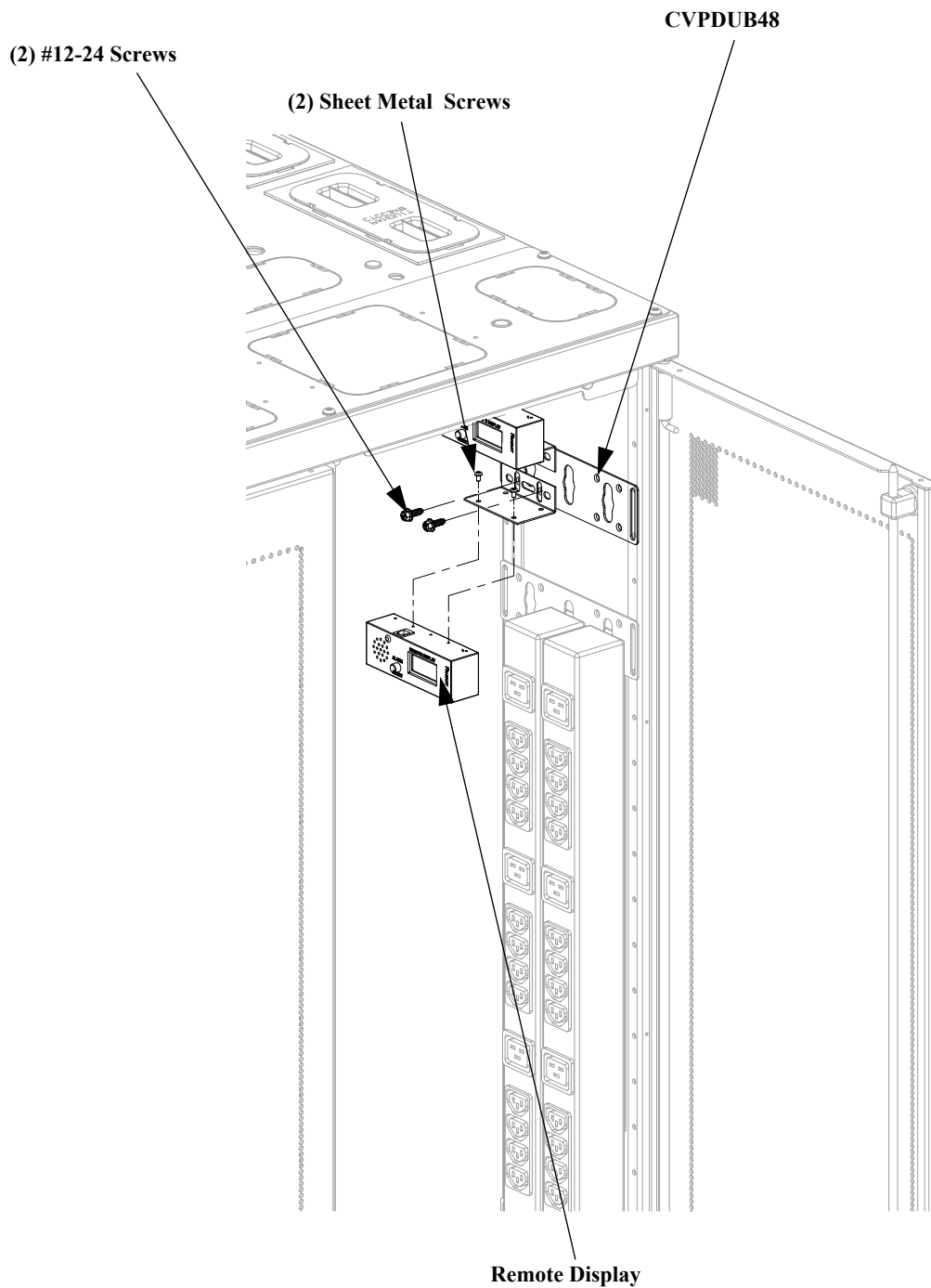
- Install remote display to rear door with (2) sheet metal screws, (2) #6-32 nuts, (2) #6-32 screws, and (2) #6 washers.
- Route remote display cable to Networked with Environmental or Switched POU.

Note: Remote Display can be intalled facing into the cabinet, or facing out of the cabinet.



Installation of Remote Display in 48" Deep Applications

- Install Remote Display with (2) #12-24 screws, (2) sheet metal screws and (1) remote display bracket to POU Bracket in the rear of the cabinet.



For Instructions in Local Languages
and Technical Support:

www.panduit.com/resources/install_maintain.asp

PANDUIT[®]
www.panduit.com

E-mail:
cs@panduit.com
Fax:
(708)444-6448