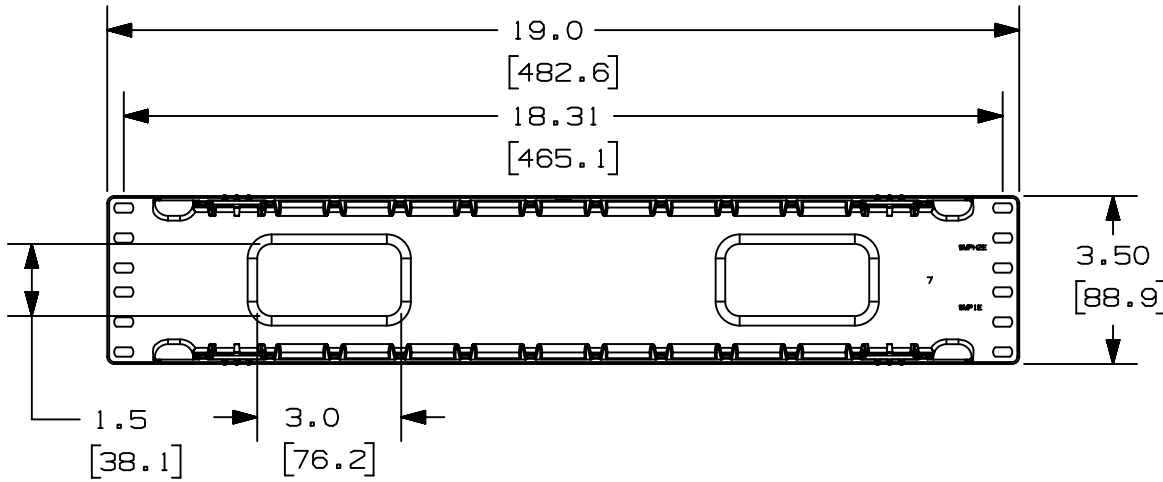


2

1

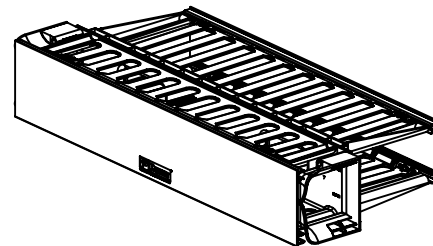
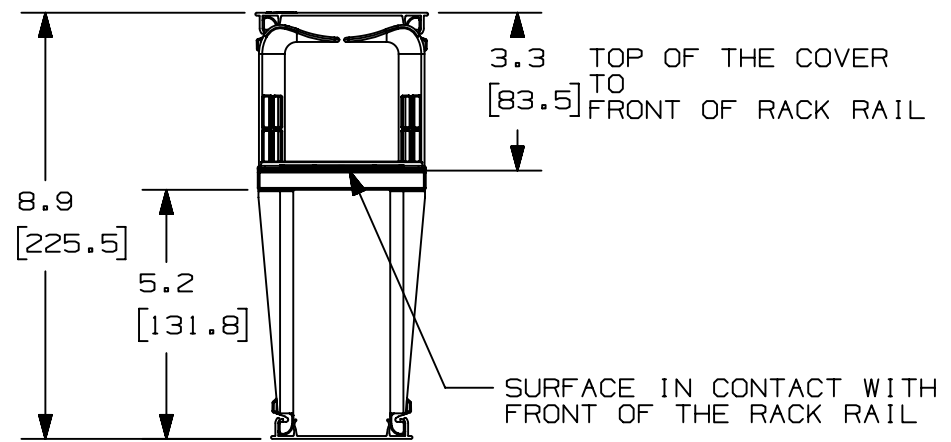
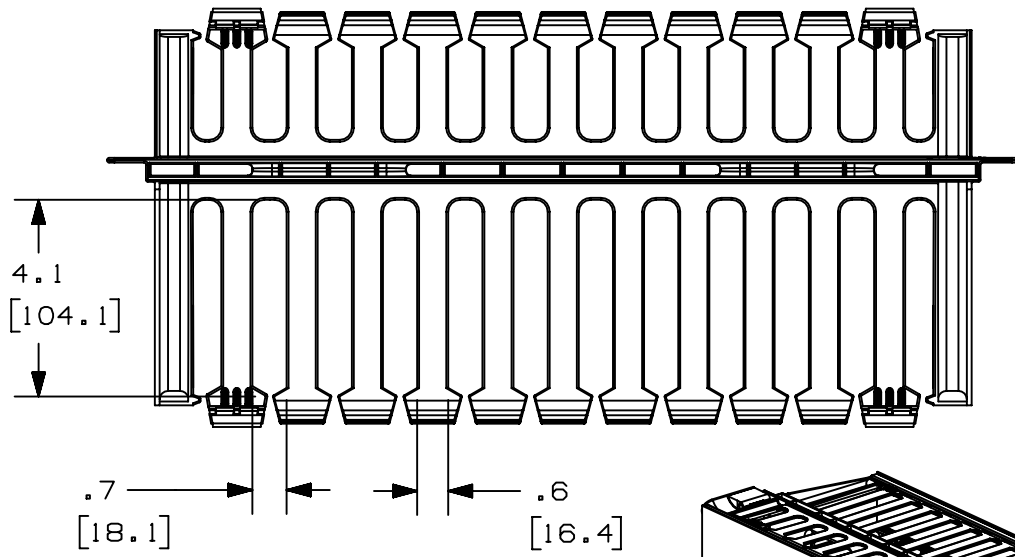
THIS COPY IS PROVIDED ON A RESTRICTED BASIS AND IS NOT TO BE USED IN ANY WAY DETRIMENTAL TO THE INTERESTS OF PANDUIT CORP.



PANDUIT P/N	WEIGHT
WMPH2E	2.6 LBS/EACH 1179 g/EACH

- NOTES:
- DESIGNED FOR MOUNTING ON 19" EIA RACKS.
 - COMPONENTS:
1- MANAGER
1- 17" REAR DUAL HINGED COVER
1- 19.375" FRONT DUAL HINGED COVER
4- #12-24 x 2 " SCREWS
2- BEND RADIUS CLIPS
 - DIMENSIONS IN PARENTHESES ARE METRIC.

MAX STORAGE TEMPERATURE 65°C (149°F)
MAX OPERATING TEMPERATURE 60°C (140°F)



TITLE										
WMPH2E HORIZONTAL MANAGER										
CUSTOMER DRAWING										
ITEM REVISION NAME					V10101WH/08					
DATASET FILE NAME					V10101WH_DC/08B					
MATERIAL					ABS					
DRAWING NUMBER					10101-23					
DRAWN BY					DATE		CHK		SCALE	
JDWE					12-17-02		MECA		NONE	
SHEET 1 OF 1					REV		DATE		SIZE	
									A	

A-SIZE CUSTOMER

08B	5-11-20	JBO	JCO	JEFK	ADDED TEMPERATURE NOTE	M09000LT
REV	DATE	BY	CHK	APR	DESCRIPTION	ECN

2

1