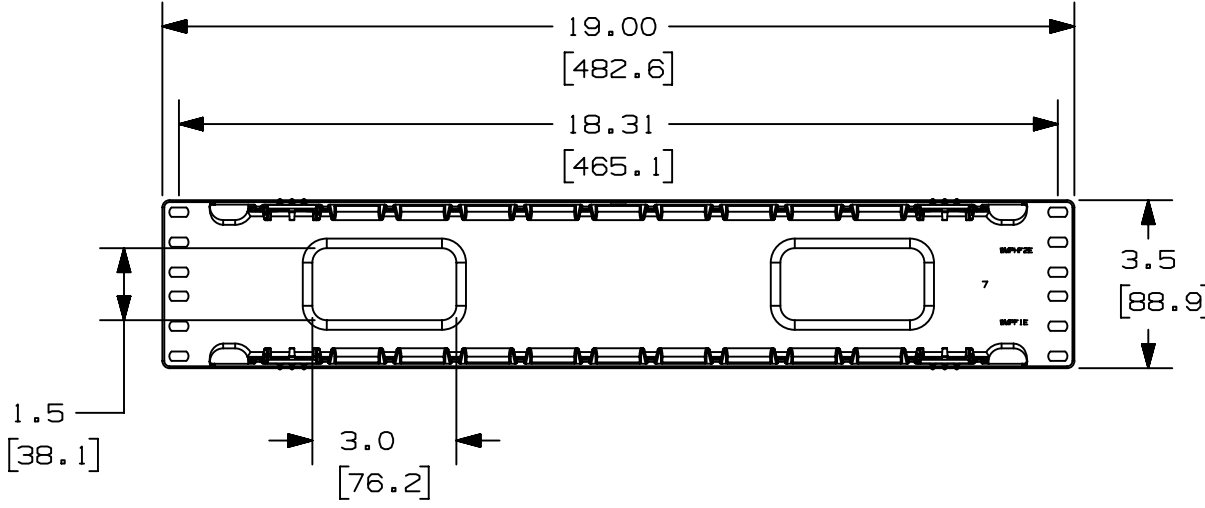


2

1

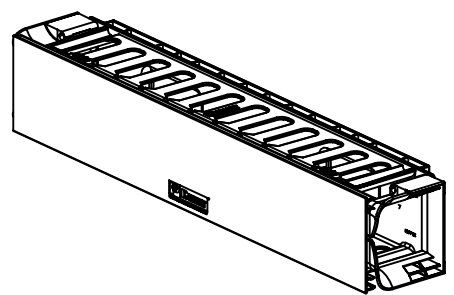
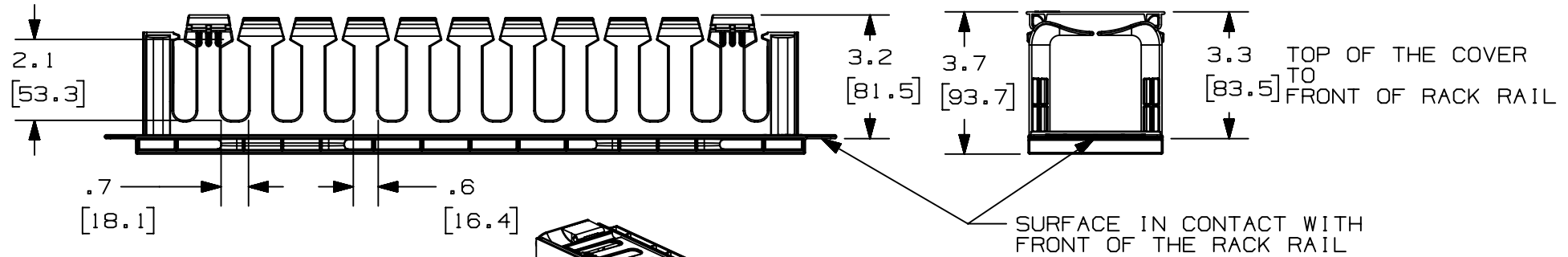
THIS COPY IS PROVIDED ON A RESTRICTED BASIS AND IS NOT TO BE USED IN ANY WAY DETRIMENTAL TO THE INTERESTS OF PANDUIT CORP.



PANDUIT P/N	WEIGHT
WMPHF2E	1.4 LBS/EACH 635 g/EACH

- NOTES:
- DESIGNED FOR MOUNTING ON 19" EIA RACKS.
  - COMPONENTS:  
1- MANAGER  
1- 19.375" DUAL HINGED COVER  
4- #12-24 x 2" SCREWS  
2- BEND RADIUS CLIPS
  - DIMENSIONS IN PARENTHESES ARE METRIC.

MAX STORAGE TEMPERATURE 65°C (149°F)  
MAX OPERATING TEMPERATURE 60°C (140°F)



TITLE													
<b>WMPHF2E HORIZONTAL MANAGER</b>													
CUSTOMER DRAWING													
ITEM REVISION NAME					V10101WF/08								
DATASET FILE NAME					V10101WF_DC/08B								
					THIRD ANGLE PROJECTION								
MATERIAL					ABS								
DRAWING NUMBER					10101-25								
08B	5-11-20	JBO	JCO	JEFK	ADDED TEMPERATURE NOTE	M09000LT							
REV	DATE	BY	CHK	APR	DESCRIPTION	ECN	DRAWN BY	DATE	CHK	SCALE	DRAWING NUMBER	SHEET 1 OF 1	SIZE
							JDWE	12-17-02	MECA	NONE			A

2

1

A-SIZE CUSTOMER