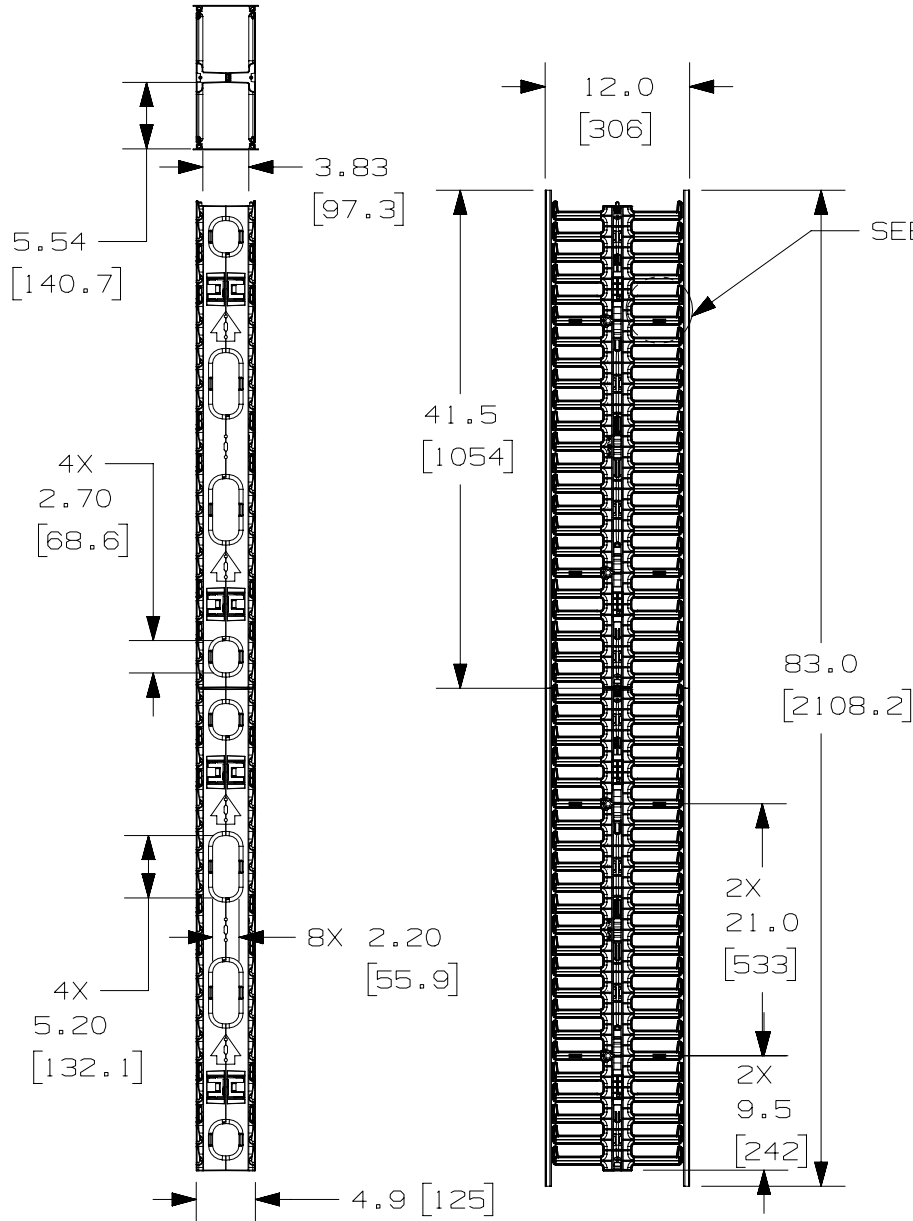
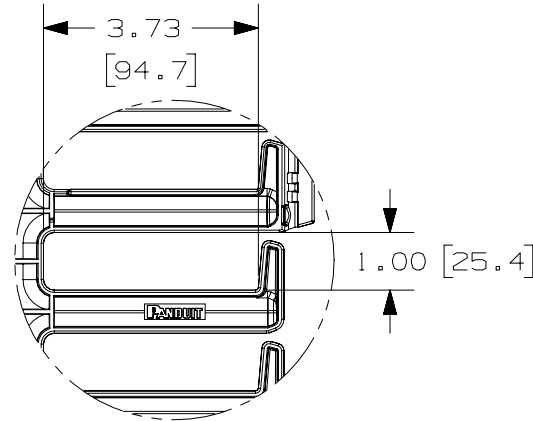


THIS COPY IS PROVIDED ON A RESTRICTED BASIS AND IS NOT TO BE USED IN ANY WAY DETRIMENTAL TO THE INTERESTS OF PANDUIT CORP.



SEE DETAIL A



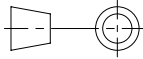
DETAIL A

PANDUIT P/N	WEIGHT
WMPV45E	21.0 LBS/EACH 9.52 Kg/EACH

NOTES:

- VISIT OUR ON-LINE CATALOG AT WWW.PANDUIT.COM FOR A CURRENT LIST OF PRODUCTS APPLICABLE FOR USE WITH THIS PART.
- COMPONENTS:
 - 2- 22.5RU CABLE MANAGEMENT SECTIONS
 - 4- 41.5" DUAL HINGE COVERS
 - 4- MOUNTING BRACKETS
 - 8- #12-24 X 1/2" SCREWS
- DIMENSIONS IN PARENTHESES ARE METRIC.

MAX STORAGE TEMPERATURE 65°C (149°F)
MAX OPERATING TEMPERATURE 60°C (140°F)

TITLE									
4" WIDE VERTICAL CABLE MANAGER									
WMPV45E									
CUSTOMER DRAWING									
ITEM REVISION NAME					V10225AA/06				
DATASET FILE NAME					V10225AA_DC/06A				
					THIRD ANGLE PROJECTION				
MATERIAL					CABLE MANAGER- ABS COVER- PVC				
DRAWING NUMBER					10225-23				
DRAWN BY	DATE	CHK	SCALE						
JDWE	3-15-05	TCK	NONE						
SHEET 1 OF 2								A	

REV	DATE	BY	CHK	APR	DESCRIPTION	ECN
06A	5-13-20	JBO	JCO	JEKF	CHANGED SUGGESTED RACK FROM CMR19X84 TO R2P ADDED TEMPERATURE NOTE	10225-23

A-SIZE CUSTOMER

