

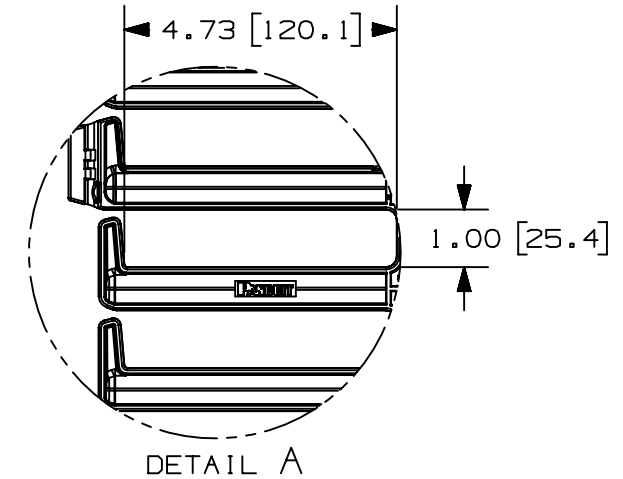
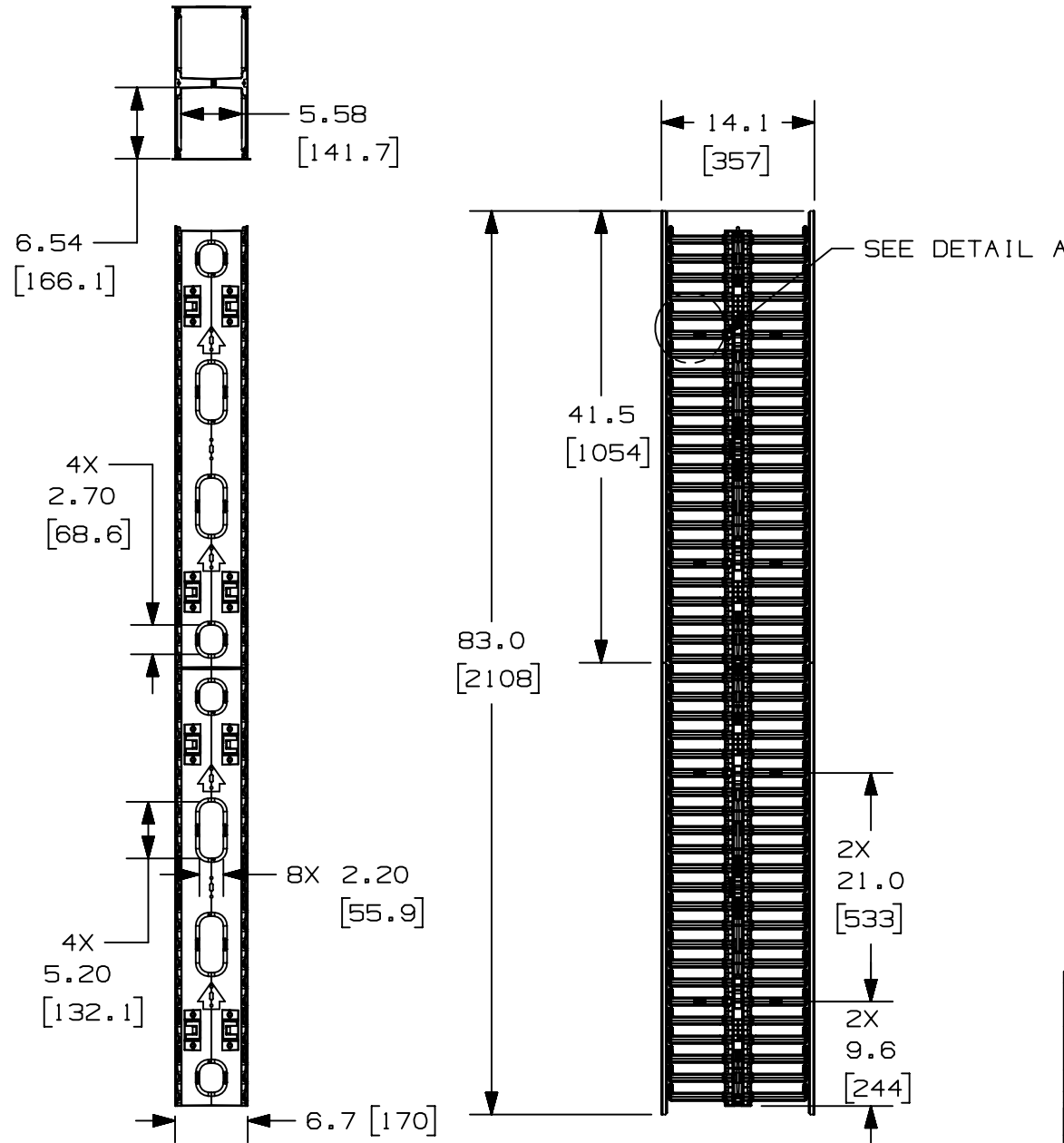
THIS COPY IS PROVIDED ON A RESTRICTED BASIS AND IS NOT TO BE USED IN ANY WAY DETRIMENTAL TO THE INTERESTS OF PANDUIT CORP.

PANDUIT P/N	WEIGHT
WMPVHC45E	23.0 LBS/EACH 10.43 Kg/EACH

NOTES:

- VISIT OUR ON-LINE CATALOG AT WWW.PANDUIT.COM FOR A CURRENT LIST OF PRODUCTS APPLICABLE FOR USE WITH THIS PART.
- COMPONENTS:
2- 22.5RU CABLE MANAGEMENT SECTIONS
4- 41.5" DUAL HINGE COVERS
4- MOUNTING BRACKETS
8- #12-24 X 1/2" SCREWS
- DIMENSIONS IN PARENTHESES ARE METRIC.

MAX STORAGE TEMPERATURE 65°C (149°F)
MAX OPERATING TEMPERATURE 60°C (140°F)

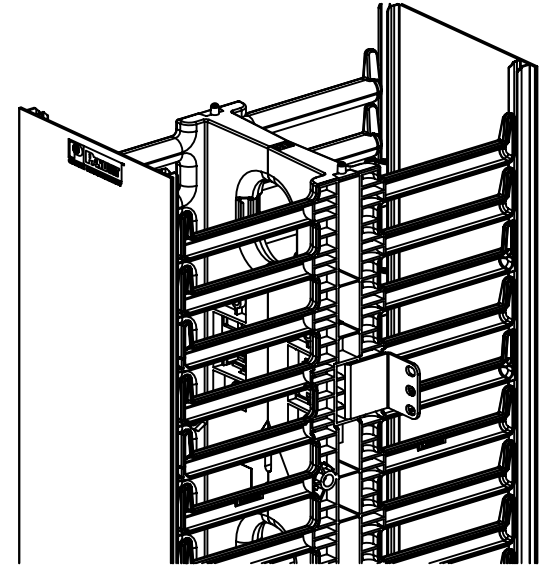
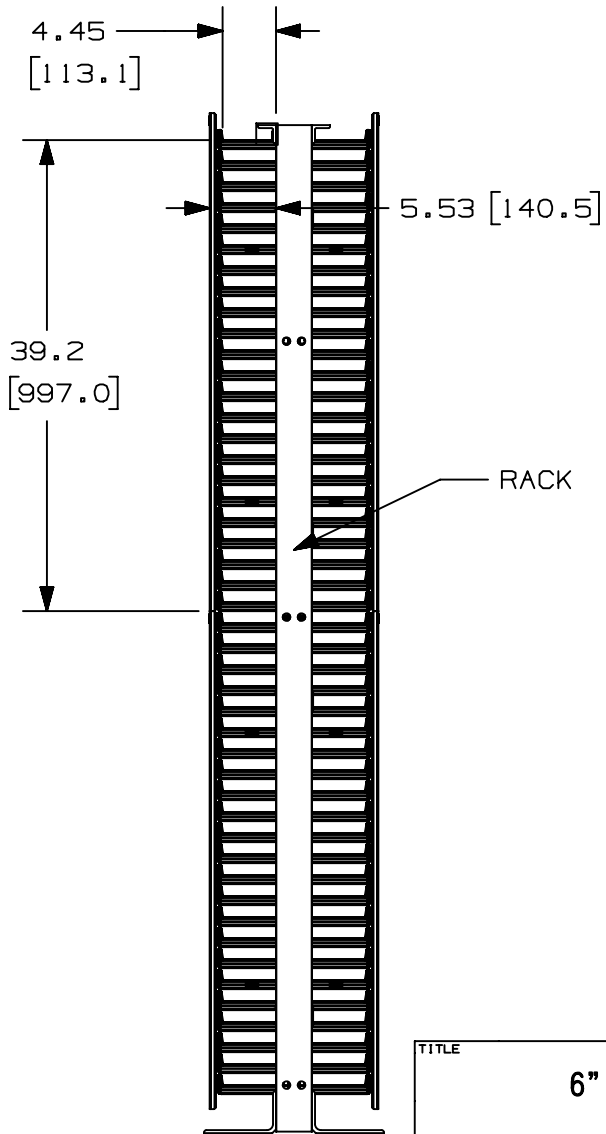
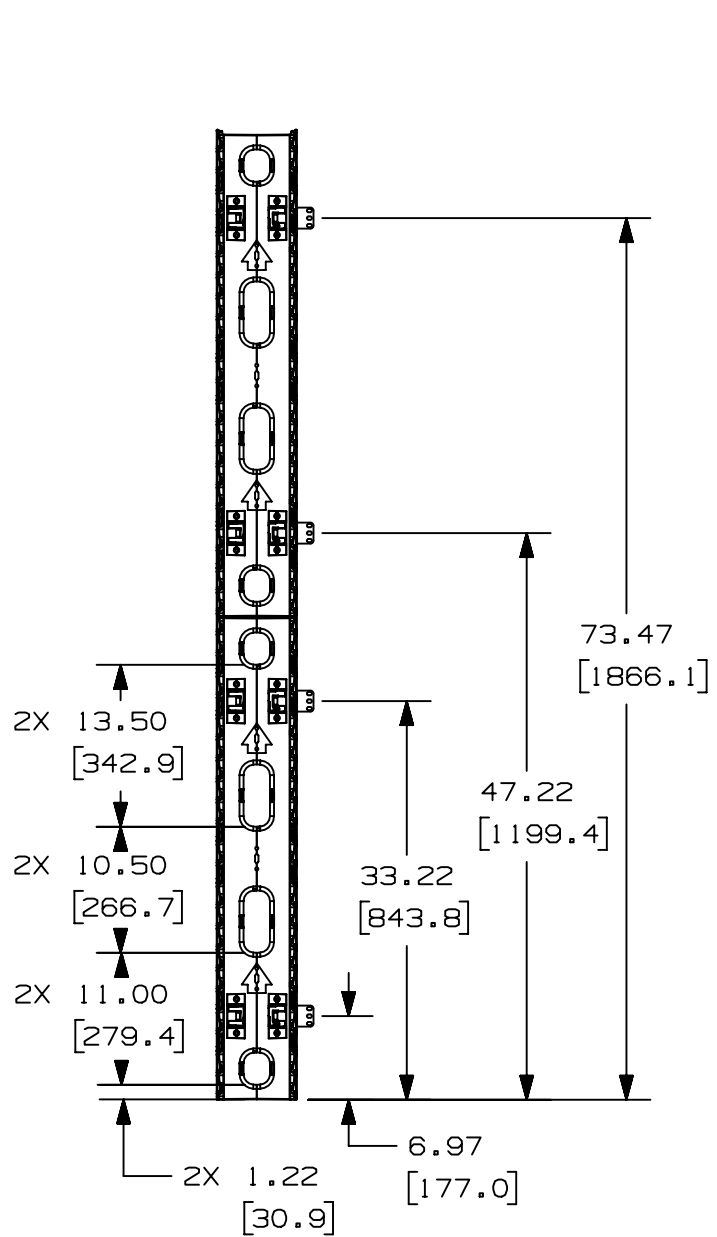


TITLE		CUSTOMER DRAWING	
6" WIDE VERTICAL CABLE MANAGER WMPVHC45E			
ITEM REVISION NAME V10225AG/06		PANDUIT	
DATASET FILE NAME V10225AG_DC/06B			
THIRD ANGLE PROJECTION		DRAWING NUMBER 10225-25	
MATERIAL CABLE MANAGER- ABS COVER- PVC		SHEET 1 OF 2	
DRAWN BY JDWE	DATE 3-15-05	CHK TCK	SCALE NONE
REV		SIZE A	

REV	DATE	BY	CHK	APR	DESCRIPTION	ECN
06B	5-7-20	JBO	JCO	JEFK	ADDED TEMPERATURE NOTE	M09000LT

A-SIZE CUSTOMER

THIS COPY IS PROVIDED ON A RESTRICTED BASIS AND IS NOT TO BE USED IN ANY WAY DETRIMENTAL TO THE INTERESTS OF PANDUIT CORP.



TITLE		6" WIDE VERTICAL CABLE MANAGER WMPVHC45E		
ITEM REVISION NAME		CUSTOMER DRAWING		
DATASET FILE NAME		V10225AG/06		
		V10225AG_DC/06B		
MATERIAL		CABLE MANAGER- ABS COVER- PVC		
DRAWING NUMBER		10225-25		
DRAWN BY		DATE	CHK	SCALE
JDWE		3-15-05	TCK	NONE
SHEET 2 OF 2		A		

06B	5-7-20	JBO	JCO	JEFK	REFER TO SHEET 1 FOR REVISION CONTROL	M09000LT
REV	DATE	BY	CHK	APR	DESCRIPTION	ECN

A-SIZE CUSTOMER