

ControlLogix Power Supply

Catalog Numbers 1756-PA30XT, 1756-PA50, 1756-PA50K, 1756-PA72, 1756-PA72K, 1756-PA75, 1756-PA75K, 1756-PB30XT, 1756-PB50, 1756-PB50K, 1756-PB72, 1756-PB72K, 1756-PB75, 1756-PB75K, 1756-PC75, 1756-PH75, 1756-PH75K, 1756-PAXT, 1756-PBXT

Topic	Page
Summary of Changes	5
Tools Required	6
Install the Power Supply	6
Connect the Power	7
Remove the Protective Label	8
Troubleshoot the Power Supply	9
Specifications	10
Additional Resources	11

ControlLogix® power supplies are used with the 1756 chassis to provide 1.2V, 3.3V, 5V, and 24V DC power directly to the chassis backplane. Standard, ControlLogix-XT™, and slim (reduced width) power supplies are available.

The catalog number of the conformal coated product includes the designation 'K' in the last position before the series identifier.

Power Supply and Chassis Compatibility

Your chassis series determines the power supply that you can use. This table lists the chassis that can be installed with each power supply.

Power Supply Cat. No.	Chassis Cat. No.
1756-PA72/C, 1756-PA72K	1756-A4/A, 1756-A7/A, 1756-A10/A, 1756-A13/A, 1756-A17/A, 1756-A4/B, 1756-A7/B, 1756-A10/B, 1756-A13/B, 1756-A17/B, 1756-A4/C, 1756-A7/C, 1756-A10/C, 1756-A13/C, 1756-A17/C
1756-PB72/C, 1756-PB72K	
1756-PA50, 1756-PA50K	
1756-PB50, 1756-PB50K	
1756-PA75/B, 1756-PA75K	1756-A4/B, 1756-A7/B, 1756-A10/B, 1756-A13/B, 1756-A17/B, 1756-A4/C, 1756-A7/C, 1756-A10/C, 1756-A13/C, 1756-A17/C
1756-PB75/B, 1756-PB75K	
1756-PC75/B	
1756-PH75/B, 1756-PH75K	
1756-PBXT	1756-A4LXT/B, 1756-A5XT/B, 1756-A7LXT/B, 1756-A7XT/B, 1756-A7XT/C, 1756-A10XT/C
1756-PAXT	
1756-PA30XT	
1756-PB30XT	



ATTENTION: Read this document and the documents listed in the Additional Resources section about installation, configuration and operation of this equipment before you install, configure, operate or maintain this product. Users are required to familiarize themselves with installation and wiring instructions in addition to requirements of all applicable codes, laws, and standards.

Activities including installation, adjustments, putting into service, use, assembly, disassembly, and maintenance are required to be carried out by suitably trained personnel in accordance with applicable code of practice.

If this equipment is used in a manner not specified by the manufacturer, the protection provided by the equipment may be impaired.

注意: 在安装、配置、操作和维护本产品前, 请阅读本文档以及“其他资源”部分列出的有关设备安装、配置和操作的相应文档。除了所有适用规范、法律和标准的相关要求之外, 用户还必须熟悉安装和接线说明。

安装、调整、投运、使用、组装、拆卸和维护等各项操作必须由经过适当训练的专业人员按照适用的操作规范实施。

如果未按照制造商指定的方式使用该设备, 则可能会损害设备提供的保护。

ATENCIÓN: Antes de instalar, configurar, poner en funcionamiento o realizar el mantenimiento de este producto, lea este documento y los documentos listados en la sección Recursos adicionales acerca de la instalación, configuración y operación de este equipo. Los usuarios deben familiarizarse con las instrucciones de instalación y cableado y con los requisitos de todos los códigos, leyes y estándares vigentes.

El personal debidamente capacitado debe realizar las actividades relacionadas a la instalación, ajustes, puesta en servicio, uso, ensamblaje, desensamblaje y mantenimiento de conformidad con el código de práctica aplicable.

Si este equipo se usa de una manera no especificada por el fabricante, la protección provista por el equipo puede resultar afectada.

ATENÇÃO: Leia este e os demais documentos sobre instalação, configuração e operação do equipamento que estão na seção Recursos adicionais antes de instalar, configurar, operar ou manter este produto. Os usuários devem se familiarizar com as instruções de instalação e fiação além das especificações para todos os códigos, leis e normas aplicáveis.

É necessário que as atividades, incluindo instalação, ajustes, colocação em serviço, utilização, montagem, desmontagem e manutenção sejam realizadas por pessoal qualificado e especializado, de acordo com o código de prática aplicável.

Caso este equipamento seja utilizado de maneira não estabelecida pelo fabricante, a proteção fornecida pelo equipamento pode ficar prejudicada.

ВНИМАНИЕ: Перед тем как устанавливать, настраивать, эксплуатировать или обслуживать данное оборудование, прочитайте этот документ и документы, перечисленные в разделе «Дополнительные ресурсы». В этих документах изложены сведения об установке, настройке и эксплуатации данного оборудования. Пользователи обязаны ознакомиться с инструкциями по установке и прокладке соединений, а также с требованиями всех применимых норм, законов и стандартов.

Все действия, включая установку, наладку, ввод в эксплуатацию, использование, сборку, разборку и техническое обслуживание, должны выполняться обученным персоналом в соответствии с применимыми нормами и правилами.

Если оборудование используется не предусмотренным производителем образом, защита оборудования может быть нарушена.

注意: 本製品を設置、構成、稼働または保守する前に、本書および本機器の設置、設定、操作についての参考資料の該当箇所に記載されている文書に目を通してください。ユーザは、すべての該当する条例、法律、規格の要件に加えて、設置および配線の手順に習熟している必要があります。

設置調整、運転の開始、使用、組立て、解体、保守を含む諸作業は、該当する実施規則に従って訓練を受けた適切な作業員が実行する必要があります。

本機器が製造メーカーにより指定されていない方法で使用されている場合、機器により提供されている保護が損なわれる恐れがあります。

ACHTUNG: Lesen Sie dieses Dokument und die im Abschnitt „Weitere Informationen“ aufgeführten Dokumente, die Informationen zu Installation, Konfiguration und Bedienung dieses Produkts enthalten, bevor Sie dieses Produkt installieren, konfigurieren, bedienen oder warten. Anwender müssen sich neben den Bestimmungen aller anwendbaren Vorschriften, Gesetze und Normen zusätzlich mit den Installations- und Verdrahtungsanweisungen vertraut machen.

Arbeiten im Rahmen der Installation, Anpassung, Inbetriebnahme, Verwendung, Montage, Demontage oder Instandhaltung dürfen nur durch ausreichend geschulte Mitarbeiter und in Übereinstimmung mit den anwendbaren Ausführungsvorschriften vorgenommen werden.

Wenn das Gerät in einer Weise verwendet wird, die vom Hersteller nicht vorgesehen ist, kann die Schutzfunktion beeinträchtigt sein.

ATTENTION : Lisez ce document et les documents listés dans la section Ressources complémentaires relatifs à l'installation, la configuration et le fonctionnement de cet équipement avant d'installer, configurer, utiliser ou entretenir ce produit. Les utilisateurs doivent se familiariser avec les instructions d'installation et de câblage en plus des exigences relatives aux codes, lois et normes en vigueur.

Les activités relatives à l'installation, le réglage, la mise en service, l'utilisation, l'assemblage, le démontage et l'entretien doivent être réalisées par des personnes formées selon le code de pratique en vigueur.

Si cet équipement est utilisé d'une façon qui n'a pas été définie par le fabricant, la protection fournie par l'équipement peut être compromise.

주의: 본 제품 설치, 설정, 작동 또는 유지 보수하기 전에 본 문서를 포함하여 설치, 설정 및 작동에 관한 참고 자료 섹션의 문서들을 반드시 읽고 숙지하십시오. 사용자는 모든 관련 규정, 법규 및 표준에서 요구하는 사항에 대해 반드시 설치 및 배선 지침을 숙지해야 합니다.

설치, 조정, 가동, 사용, 조립, 분해, 유지보수 등 모든 작업은 관련 규정에 따라 적절한 교육을 받은 사용자를 통해서만 수행해야 합니다.

본 장비를 제조사가 명시하지 않은 방법으로 사용하면 장비의 보호 기능이 손상될 수 있습니다.

ATTENZIONE Prima di installare, configurare ed utilizzare il prodotto, o effettuare interventi di manutenzione su di esso, leggere il presente documento ed i documenti elencati nella sezione "Altre risorse", riguardanti l'installazione, la configurazione ed il funzionamento dell'apparecchiatura. Gli utenti devono leggere e comprendere le istruzioni di installazione e cablaggio, oltre ai requisiti previsti dalle leggi, codici e standard applicabili.

Le attività come installazione, regolazioni, utilizzo, assemblaggio, disassemblaggio e manutenzione devono essere svolte da personale adeguatamente addestrato, nel rispetto delle procedure previste.

Qualora l'apparecchio venga utilizzato con modalità diverse da quanto previsto dal produttore, la sua funzione di protezione potrebbe venire compromessa.

DIKKAT: Bu ürünün kurulumu, yapılandırılması, işletilmesi veya bakımı öncesinde bu dokümanı ve bu ekipmanın kurulumu, yapılandırılması ve işletimi ile ilgili ilave Kaynaklar bölümünde yer listelenmiş dokümanları okuyun. Kullanıcılar yürürlükteki tüm yönetmelikler, yasalar ve standartların gereksinimlerine ek olarak kurulum ve kablolama talimatlarını da öğrenmek zorundadır.

Kurulum, ayarlama, hizmet alma, kulanma, parçaları birleştirme, parçaları sökme ve bakım gibi aktiviteler sadece uygun eğitimleri almış kişiler tarafından yürürlükteki uygulama yönetmeliklerine uygun şekilde yapılabilir.

Bu ekipman üretici tarafından belirlenmiş amacın dışında kullanılırsa, ekipman tarafından sağlanan koruma bozulabilir.

注意事項: 在安装、設定、操作或維護本產品前, 請先閱讀此文件以及列於「其他資源」章節中有關安裝、設定與操作此設備的文件。使用者必須熟悉安裝和配線指示, 並符合所有法規、法律和標準要求。

包括安裝、調整、交付使用、使用、組裝、拆卸和維護等動作都必須交由已經過適當訓練的人員進行, 以符合適用的實作法規。

如果將設備用於非製造商指定的用途時, 可能會造成設備所提供的保護功能受損。

POZOR: Než začnete instalovat, konfigurovat či provozovat tento výrobek nebo provádět jeho údržbu, přečtěte si tento dokument a dokumenty uvedené v části Dodatečné zdroje ohledně instalace, konfigurace a provozu tohoto zařízení. Uživatelé se musejí vedle požadavků všech relevantních vyhlášek, zákonů a norem nutně seznámit také s pokyny pro instalaci elektrické zapojení.

Činnosti zahrnující instalaci, nastavení, uvedení do provozu, užívání, montáž, demontáž a údržbu musí vykonávat vhodně proškolený personál v souladu s příslušnými prováděcími předpisy.

Pokud se toto zařízení používá způsobem neodpovídajícím specifikaci výrobce, může být narušena ochrana, kterou toto zařízení poskytuje.

UWAGA: Przed instalacją, konfiguracją, użytkowaniem lub konserwacją tego produktu należy przeczytać niniejszy dokument oraz wszystkie dokumenty wymienione w sekcji Dodatkowe źródła omawiające instalację, konfigurację i procedury użytkowania tego urządzenia. Użytkownicy mają obowiązek zapoznać się z instrukcjami dotyczącymi instalacji oraz oprzewodowania, jak również z obowiązującymi kodeksami, prawem i normami.

Działania obejmujące instalację, regulację, przekazanie do użytkowania, użytkowanie, montaż, demontaż oraz konserwację muszą być wykonywane przez odpowiednio przeszkolony personel zgodnie z obowiązującym kodeksem postępowania.

Jeśli urządzenie jest użytkowane w sposób inny niż określony przez producenta, zabezpieczenie zapewniane przez urządzenie może zostać ograniczone.

OBST! Läs detta dokument samt dokumentet, som står listat i avsnittet Övriga resurser, om installation, konfigurering och drift av denna utrustning innan du installerar, konfigurerar eller börjar använda eller utföra underhållsarbete på produkten. Användare måste bekanta sig med instruktioner för installation och kabeldragning, förutom krav enligt gällande koder, lagar och standarder.

Åtgärder som installation, justering, service, användning, montering, demontering och underhållsarbete måste utföras av personal med lämplig utbildning enligt lämpligt bruk.

Om denna utrustning används på ett sätt som inte anges av tillverkaren kan det hända att utrustningens skyddsanordningar försätts ur funktion.

LET OP: Lees dit document en de documenten die genoemd worden in de paragraaf Aanvullende informatie over de installatie, configuratie en bediening van deze apparatuur voordat u dit product installeert, configureert, bediend of onderhoudt. Gebruikers moeten zich vertrouwd maken met de installatie en de bedradinginstructies, naast de vereisten van alle toepasselijke regels, wetten en normen.

Activiteiten zoals het installeren, afstellen, in gebruik stellen, gebruiken, monteren, demonteren en het uitvoeren van onderhoud mogen uitsluitend worden uitgevoerd door hiervoor opgeleid personeel en in overeenstemming met de geldende praktijkregels.

Indien de apparatuur wordt gebruikt op een wijze die niet is gespecificeerd door de fabrikant, dan bestaat het gevaar dat de beveiliging van de apparatuur niet goed werkt.

Environment and Enclosure



ATTENTION: This equipment is intended for use in a Pollution Degree 2 industrial environment, in overvoltage Category II applications (as defined in EN/IEC 60664-1), at altitudes up to 2000 m (6562 ft) without derating.

This equipment is not intended for use in residential environments and may not provide adequate protection to radio communication services in such environments.

This equipment is supplied as open-type equipment for indoor use. It must be mounted within an enclosure that is suitably designed for those specific environmental conditions that will be present and appropriately designed to prevent personal injury resulting from accessibility to live parts. The enclosure must have suitable flame-retardant properties to prevent or minimize the spread of flame, complying with a flame spread rating of 5VA or be approved for the application if nonmetallic. The interior of the enclosure must be accessible only by the use of a tool. Subsequent sections of this publication may contain additional information regarding specific enclosure type ratings that are required to comply with certain product safety certifications.

In addition to this publication, see the following:

- Industrial Automation Wiring and Grounding Guidelines, publication [1770-4.1](#), for additional installation requirements.
 - NEMA Standard 250 and EN/IEC 60529, as applicable, for explanations of the degrees of protection provided by different types of enclosures.
-

Prevent Electrostatic Discharge



ATTENTION: This equipment is sensitive to electrostatic discharge, which can cause internal damage and affect normal operation. Follow these guidelines when you handle this equipment:

- Touch a grounded object to discharge potential static.
 - Wear an approved grounding wriststrap.
 - Do not touch connectors or pins on component boards.
 - Do not touch circuit components inside the equipment.
 - Use a static-safe workstation, if available.
 - Store the equipment in appropriate static-safe packaging when not in use.
-



IMPORTANT **ControlLogix-XT system components are rated for extreme environmental conditions only when used properly with other Logix-XT system components. The use of ControlLogix-XT components with standard ControlLogix system components nullifies extreme-environment ratings.**

If a ControlLogix-XT module is used with standard ControlLogix products, the ControlLogix-XT module can withstand only the environments specified for the standard ControlLogix version of the module. For example, if a 1756-L63XT controller is used in a standard 1756-A10 chassis, the ControlLogix-XT controller can withstand only the environment specified for the standard 1756-L63 controller.

The ControlLogix-XT system components are designed to meet the same and greater operational and environmental requirements as traditional ControlLogix products.

When a ControlLogix-XT component is used as a replacement for a traditional ControlLogix component, the functional and environmental requirements of the traditional ControlLogix component apply, with the exception of the power output ratings.

North American Hazardous Location Approval

The following information applies when operating this equipment in hazardous locations.	Informations sur l'utilisation de cet équipement en environnements dangereux.
<p>Products marked "CL I, DIV 2, GP A, B, C, D" are suitable for use in Class I Division 2 Groups A, B, C, D, Hazardous Locations and nonhazardous locations only. Each product is supplied with markings on the rating nameplate indicating the hazardous location temperature code. When combining products within a system, the most adverse temperature code (lowest "T" number) may be used to help determine the overall temperature code of the system. Combinations of equipment in your system are subject to investigation by the local Authority Having Jurisdiction at the time of installation.</p>	<p>Les produits marqués "CL I, DIV 2, GP A, B, C, D" ne conviennent qu'à une utilisation en environnements de Classe I Division 2 Groupes A, B, C, D dangereux et non dangereux. Chaque produit est livré avec des marquages sur sa plaque d'identification qui indiquent le code de température pour les environnements dangereux. Lorsque plusieurs produits sont combinés dans un système, le code de température le plus défavorable (code de température le plus faible) peut être utilisé pour déterminer le code de température global du système. Les combinaisons d'équipements dans le système sont sujettes à inspection par les autorités locales qualifiées au moment de l'installation.</p>
<div style="display: flex; align-items: center;">  <div> <p>WARNING: EXPLOSION HAZARD</p> <ul style="list-style-type: none"> Do not disconnect equipment unless power has been removed or the area is known to be nonhazardous. Do not disconnect connections to this equipment unless power has been removed or the area is known to be nonhazardous. Secure any external connections that mate to this equipment by using screws, sliding latches, threaded connectors, or other means provided with this product. Substitution of components may impair suitability for Class I, Division 2. If this product contains batteries, they must be changed only in an area known to be nonhazardous. </div> </div>	<div style="display: flex; align-items: center;">  <div> <p>AVERTISSEMENT: RISQUE D'EXPLOSION</p> <ul style="list-style-type: none"> Couper le courant ou s'assurer que l'environnement est classé non dangereux avant de débrancher l'équipement. Couper le courant ou s'assurer que l'environnement est classé non dangereux avant de débrancher les connecteurs. Fixer tous les connecteurs externes reliés à cet équipement à l'aide de vis, loquets coulissants, connecteurs filetés ou autres moyens fournis avec ce produit. La substitution de composants peut rendre cet équipement inadapté à une utilisation en environnement de Classe I, Division 2. S'assurer que l'environnement est classé non dangereux avant de changer les piles. </div> </div>

European Hazardous Location Approval

The following applies to products marked , , II 3:

- Such modules are Equipment Group II, Equipment Category 3, and comply with the Essential Health and Safety Requirements relating to the design and construction of such equipment given in Annex II to Directive 94/9/EC. See the EC Declaration of Conformity at rok.auto/certifications for details. The type of protection for 1756-PB50, 1756-PB72, 1756-PB75, 1756-PBXT, and 1756-PB30XT is "Ex nA IIC T4 Gc" according to EN 60079-15.
- Such modules may have catalog numbers followed by a "K" to indicate a conformal coating option.
- Such modules are intended for use in areas in which explosive atmospheres caused by gases, vapors, mists, or air are unlikely to occur, or are likely to occur only infrequently and for short periods. Such locations correspond to Zone 2 classification according to ATEX directive 1999/92/EC.
- The 1756-PB50, 1756-PB72, 1756-PB75, 1756-PBXT, and 1756-PB30XT comply to Standards EN 60079-0:2012+A11:2013, EN 60079-15:2010, reference ATEX certificate number DEMK013ATEX1325026X.

IEC Hazardous Location Approval

The following applies to products with IECEx certification:

- Such modules are intended for use in areas in which explosive atmospheres caused by gases, vapors, mists, or air are unlikely to occur, or are likely to occur only infrequently and for short periods. Such locations correspond to Zone 2 classification to IEC 60079-0.
- Such modules may have catalog numbers followed by a "K" to indicate a conformal coating option.
- The type of protection for 1756-PB50, 1756-PB72, 1756-PB75, 1756-PBXT, and 1756-PB30XT, is "Ex nA IIC T4 Gc" according to IEC 60079-15.
- The 1756-PB50, 1756-PB72, 1756-PB75, 1756-PBXT, and 1756-PB30XT comply to Standards IEC 60079-0:2011, IEC 60079-15:2010, reference IECEx certificate number IECExUL14.0008X.

ATEX and IECEx Hazardous Location Conformity

Model	Protection Type	ATEX Certificate	IECEx Certificate
1756-PA50, 1756-PA50K	None	—	—
1756-PA72, 1756-PA72K	None	—	—
1756-PA75, 1756-PA75K	None	—	—
1756-PB50, 1756-PB50K	Ex nA IIC T4 Gc	DEMKO13ATEX1325026X	IECEx UL 14.0008X
1756-PB72, 1756-PB72K	Ex nA IIC T4 Gc	DEMKO13ATEX1325026X	IECEx UL 14.0008X
1756-PB75, 1756-PB75K	Ex nA IIC T4 Gc	DEMKO13ATEX1325026X	IECEx UL 14.0008X
1756-PC75	None	—	—
1756-PH75, 1756-PH75K	None	—	—
1756-PAXT	None	—	—
1756-PBXT	Ex nA IIC T4 Gc	DEMKO13ATEX1325026X	IECEx UL 14.0008X
1756-PA30XT	None	—	—
1756-PB30XT	Ex nA IIC T4 Gc	DEMKO13ATEX1325026X	IECEx UL 14.0008X

Waste Electrical and Electronic Equipment (WEEE)



At the end of its life, this equipment should be collected separately from any unsorted municipal waste.

Special Conditions for Safe Use



WARNING:

- This equipment shall be mounted in an ATEX/IECEx Zone 2-certified enclosure with a minimum ingress protection rating of at least IP54 (as defined in EN/IEC 60529) and used in an environment of not more than Pollution Degree 2 (as defined in EN/IEC 60664-1) when applied in Zone 2 environments. The enclosure must be accessible only by the use of a tool.
- This equipment shall be used within its specified ratings defined by Rockwell Automation.
- Provision shall be made to prevent the rated voltage from being exceeded by transient disturbances of more than 140% of the rated voltage when applied in Zone 2 environments.
- This equipment must be used only with ATEX/IECEx certified Rockwell Automation backplanes.
- Instructions in the user manual shall be observed.
- Secure any external connections that mate to this equipment by using screws, sliding latches, threaded connectors, or other means provided with this product.
- Do not disconnect equipment unless power has been removed or the area is known to be nonhazardous.
- Devices shall be used in an environment of not more than Pollution Degree 2.

Summary of Changes

We updated the torque requirement on pages [7](#) and [10](#) for these power supplies.

Tools Required

When installing the standard or ControlLogix-XT versions of your 1756 chassis and power supplies, the following items are required:

- 3.18 mm (0.125 in.) slotted screwdriver
- 6.35 mm (0.25 in.) slotted or #2 Phillips screwdriver
- Torque screwdriver
- Needle-nose pliers
- Crimper
- Wire stripper
- Drill



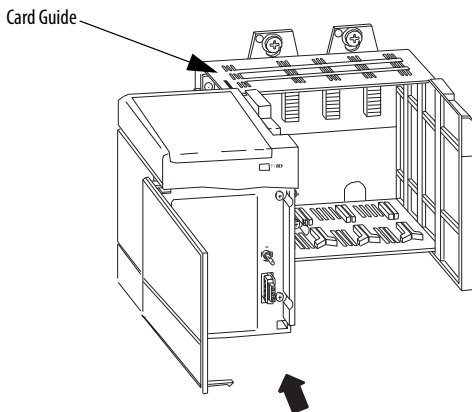
ATTENTION: If this equipment is used in a manner not specified by the manufacturer, the protection provided by the equipment may be impaired.



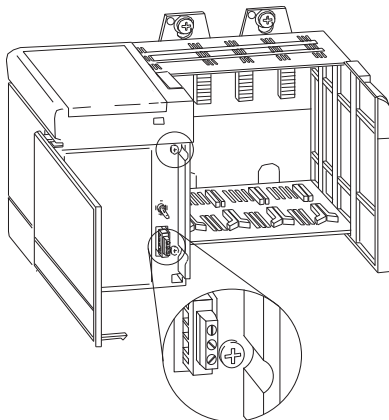
ATTENTION: Make sure the chassis is mounted and all panel fabrication is complete before you remove the protective label. This label protects the power supply from metal shavings falling inside the power supply and damaging it during operation.

Install the Power Supply

1. Make sure that the chassis is installed and grounded correctly.
2. Align the power-supply circuit board with the card guides on the left side of the chassis.
3. Slide the power supply back until it is flush with the front of the chassis.



4. Tighten the top and bottom screws to fasten the power supply to the chassis.



Connect the Power



WARNING: EXPLOSION HAZARD

If you connect or disconnect wiring while the field-side power is on, an electric arc can occur. This can cause an explosion in hazardous location installations. Be sure that power is removed or the area is nonhazardous before proceeding.



ATTENTION: Do not wire more than one conductor on any single terminal.

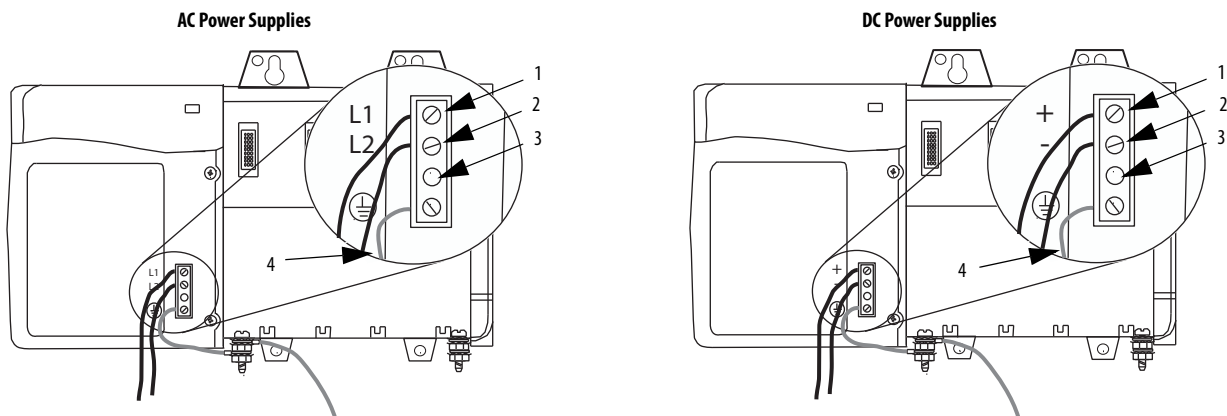
Use 15 A time-delay type fuse in all ungrounded power connections.

Use 2.5 mm² (14 AWG) solid or stranded-copper wire that is rated at 90 °C (194 °F), or greater, 1.2 mm (3/64 in.) insulation maximum to connect power. Tighten the terminals to a torque of 0.565 N•m (5 lb•in).

Connect the power as shown in the figure.

IMPORTANT The voltage input connections of the power supplies are auto-sensing.

You do **not** use a jumper, for example, a 120/240V AC jumper, when connecting external power to the power supply, as shown in the following figure.



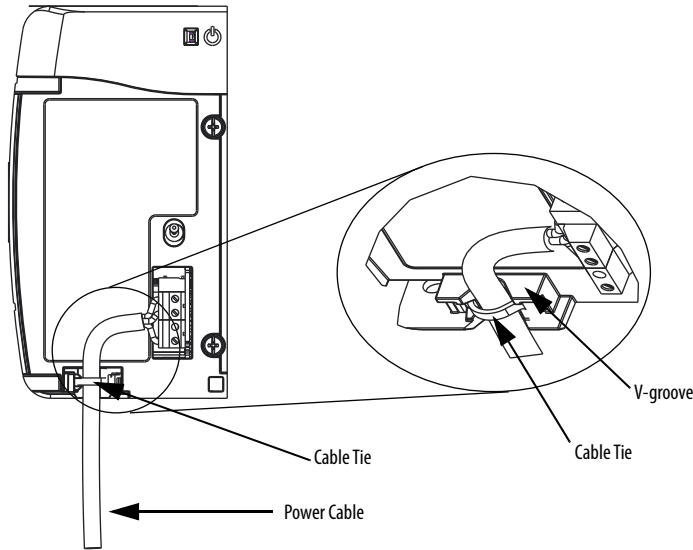
Item	Description, AC Power Supplies	Description, DC Power Supplies
1	L1 (high side of line power)	DC+ (positive supply)
2	L2 (low side of line power)	DC- (negative supply return)
3	This terminal is not used and is capped to prevent use.	
4	Protective Earth. Attach to chassis ground lug or ground bus. See the ControlLogix Chassis Installation Instructions, publication 1756-IN621 , for details.	

Optional Power Cable Connection

The 1756-PA50, 1756-PA50K, 1756-PB50, 1756-PB50K, 1756-PA30XT, and 1756-PB30XT power supplies offer an optional cable retention mechanism.

Install the optional cable retention mechanism per the following procedure.

1. Align the power cable in the v-groove at the front of the power supply.
2. Feed a cable tie through the retainer on the v-groove.
3. To secure the power cable, tighten the cable tie.
4. Trim any excess cable tie length as appropriate.

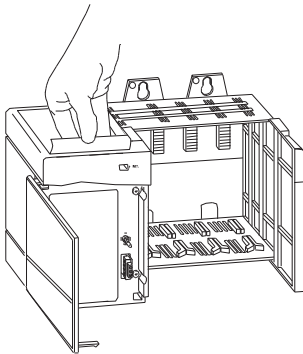


Remove the Protective Label



ATTENTION: Make sure the chassis is mounted and all panel fabrication is complete before you remove the protective label. This label protects the power supply from metal shavings falling inside the power supply and damaging it during operation.

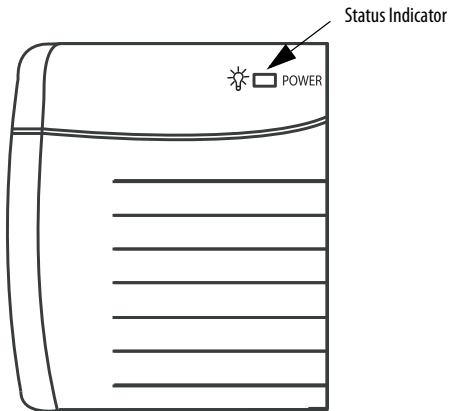
Remove the protective label from the top of the power supply.



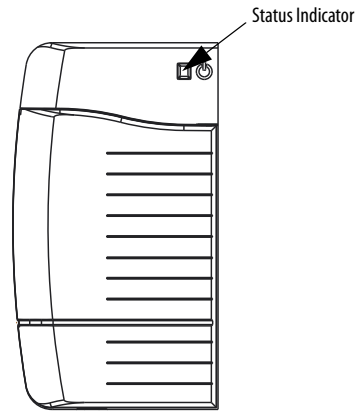
Troubleshoot the Power Supply

All ControlLogix power supplies have a green status indicator that remains ON during normal operation.

Standard Power Supply



Slim Power Supply



If the indicator turns OFF during operation, take these steps to troubleshoot the power supply.

1. Verify that the line voltage is within the specified range.
2. If the indicator remains OFF, turn off the power.
3. Loosen the screws that secure the power supply to the chassis.
See [step 4 on page 6](#) for the location of the screws on the power supply.
4. Slide the power supply out so that the rear connector is disconnected.
5. Turn on the power.
6. Follow these steps if the indicator does the following:
 - Turns ON:
 - a. Verify that the Backplane Power Load of the system is within the output rating of the power supply.
 - b. Turn off the power.
 - c. Reinstall the power supply in the chassis.
 - d. Turn on the power.
 - Remains OFF: Contact your local Allen-Bradley distributor.

Specifications

Attribute	1756-PA72, 1756-PA72K	1756-PA75, 1756-PA75K	1756-PB72, 1756-PB72K	1756-PB75, 1756-PB75K	1756-PC75	1756-PH75, 1756-PH75K
Voltage and current ratings	Input 120/240V AC, 50/60 Hz, 100VA, 100 W	120/240V AC, 50/60 Hz, 100VA, 100 W	24V DC, 95 W	24V DC, 95 W	48V DC, 95 W	125V DC, 95 W
	Output (current capacity) 2.8 A, 24V DC; 10.0 A, 5.1V DC; 4.0 A, 3.3V DC; 1.5 A, 1.2V DC; 75 W max, 20 A inrush max	2.8 A, 24V DC; 13.0 A, 5.1V DC; 4.0 A, 3.3V DC; 1.5 A, 1.2V DC; 75 W max, 20 A inrush max	2.8 A, 24V DC; 10.0 A, 5.1V DC; 4.0 A, 3.3V DC; 1.5 A, 1.2V DC; 75 W max, 30 A inrush max	2.8 A, 24V DC; 13.0 A, 5.1V DC; 4.0 A, 3.3V DC; 1.5 A, 1.2V DC; 75 W max, 30 A inrush max	2.8 A, 24V DC; 13.0 A, 5.1V DC; 4.0 A, 3.3V DC; 1.5 A, 1.2V DC; 75 W max, 30 A inrush max	2.8 A, 24V DC; 13.0 A, 5.1V DC; 4.0 A, 3.3V DC; 1.5 A, 1.2V DC; 75 W max, 30 A inrush max
Isolation voltage	250V (continuous), Reinforced Insulation Type, Power Input to Backplane					
Temperature, operating IEC 60068-2-1 (Test Ad, Operating Cold), IEC 60068-2-2 (Test Bd, Operating Dry Heat), IEC 60068-2-14 (Test Nb, Operating Thermal Shock)	0 °C < Ta < +60 °C (+32 °F < Ta < 140 °F)					
Temperature, surrounding air, max	60 °C (140 °F)					
Enclosure type rating	None (open-style)					
Torque	0.565 N·m (5 lb·in)					
Dimensions (HxWxD), approx	14.0 x 11.2 x 14.5 cm (5.51 x 4.41 x 5.71 in.)					
Wire size	2.5 mm ² (14 AWG) solid or stranded copper wire rated at 90 °C (194 °F), or greater, 1.2 mm (3/64 in.) insulation max					
North American temperature code	T4					
ATEX temperature code	-		T4		-	
IECEx temperature code	-		T4		-	

Attribute	1756-PA50, 1756-PA50K	1756-PB50, 1756-PB50K
Voltage and current ratings	Input 120/240V AC, 50/60 Hz, 81 W (90VA), 50 °C (122 °F), 68 W (77VA), 60 °C (140 °F)	24V DC; 50 °C (122 °F), 85 W; 60 °C (140 °F), 70 W
	Output (current capacity) 2.5 A, 24V DC; 8.0 A, 5.1V DC; 2.0 A, 3.3V DC; 1.5 A, 1.2V DC; 50 °C (122 °F), 60 W max; 60 °C (140 °F), 50 W max; 20 A inrush max	2.5 A, 24V DC; 8.0 A, 5.1V DC; 2.0 A, 3.3V DC; 1.5 A, 1.2V DC; 50 °C (122 °F), 60 W max; 60 °C (140 °F), 50 W max; 20 A inrush max
Isolation voltage	250V (continuous), Reinforced Insulation Type, Power Input to Backplane	
Temperature, operating IEC 60068-2-1 (Test Ad, Operating Cold), IEC 60068-2-2 (Test Bd, Operating Dry Heat), IEC 60068-2-14 (Test Nb, Operating Thermal Shock)	0 °C < Ta < +60 °C (+32 °F < Ta < +140 °F)	
Temperature, surrounding air, max	60 °C (140 °F)	
Enclosure type rating	None (open-style)	
Torque	0.565 N·m (5 lb·in)	
Dimensions (HxWxD), approx	14.0 x 7.8 x 14.5 cm (5.51 x 3.07 x 5.71 in.)	
Wire size	2.5 mm ² (14 AWG) solid or stranded copper wire rated at 90 °C (194 °F), or greater, 1.2 mm (3/64 in.) insulation max	
North American temperature code	T4	
ATEX temperature code	-	T4
IECEx temperature code	-	T4

Attribute	1756-PAXT	1756-PBXT	1756-PA30XT	1756-PB30XT
Voltage and current ratings	Input 120/240V AC, 50/60 Hz, 82VA, 64 W	18...32V DC, 70 W	120/240V AC, 50/60 Hz, 50 W (60VA), 70 °C (158 °F)	24V DC, 50W 70 °C (158 °F)
Output (current capacity)	1.75 A, 24V DC, 8.0 A, 5.1V DC, 4.0 A, 3.3V DC, 1.5 A, 1.2V DC, 42 W max, 20 A inrush max	2.1 A, 24V DC, 10.0 A, 5.1V DC, 4.0 A, 3.3V DC, 1.5 A, 1.2V DC, 52 W max, 30 A inrush max	1.25 A, 24V DC; 6.0 A, 5.1V DC; 2.0 A, 3.3V DC; 1.5 A, 1.2V DC; 30 W max, 20 A inrush max	1.25 A, 24V DC; 6.0 A, 5.1V DC; 2.0 A, 3.3V DC; 1.5 A, 1.2V DC; 30 W max, 20 A inrush max
Isolation voltage	250V (continuous), Reinforced Insulation Type, Power Input to Backplane			
Temperature, operating IEC 60068-2-1 (Test Ad, Operating Cold), IEC 60068-2-2 (Test Bd, Operating Dry Heat), IEC 60068-2-14 (Test Nb, Operating Thermal Shock)	-25 °C < Ta < +70 °C (-13 °F < Ta < +158 °F)			
Temperature, surrounding air, max	70 °C (158 °F)			
Enclosure type rating	None (open-style)			
Torque	0.565 N·m (5 lb·in)			
Dimensions (HxWxD), approx	14.0 x 11.2 x 14.5 cm (5.51 x 4.41 x 5.71 in.)		14.0 x 7.8 x 14.5 cm (5.51 x 3.07 x 5.71 in.)	
Wire size	2.5 mm ² (14 AWG) solid or stranded copper wire rated at 90 °C (194 °F), or greater, 1.2 mm (3/64 in.) insulation max			
North American temperature code	T4	T4A	T4	
ATEX temperature code	-	T4	-	T4
IECEx temperature code	-	T4	-	T4

Additional Resources

These documents contain additional information concerning related products from Rockwell Automation.

Resource	Description
1756 ControlLogix Specifications Technical Data, publication 1756-ID006	Provides technical specifications for ControlLogix chassis.
1756 ControlLogix Power Supplies Specifications Technical Data, publication 1756-ID005	Provides technical specifications for ControlLogix power supplies.
ControlLogix Chassis Installation Instructions, publication 1756-IN621	Provides information on how to install ControlLogix chassis.
ControlLogix System User Manual, publication 1756-UM001	Provides instructions for installation and use of ControlLogix Systems, application design, and other general information for these systems.
Industrial Automation Wiring and Grounding Guidelines, publication 1770-4.1	Provides general guidelines for installing a Rockwell Automation industrial system.
Product Certifications website, http://www.rockwellautomation.com/rockwellautomation/certification/overview.page	Provides declarations of conformity, certificates, and other certification details.

You can view or download publications at <http://www.rockwellautomation.com/literature/>. To order paper copies of technical documentation, contact your local Allen-Bradley distributor or Rockwell Automation sales representative.

Rockwell Automation Support

Use the following resources to access support information.

Technical Support Center	Knowledgebase Articles, How-to Videos, FAQs, Chat, User Forums, and Product Notification Updates.	https://rockwellautomation.custhelp.com/
Local Technical Support Phone Numbers	Locate the phone number for your country.	http://www.rockwellautomation.com/global/support/get-support-now.page
Direct Dial Codes	Find the Direct Dial Code for your product. Use the code to route your call directly to a technical support engineer.	http://www.rockwellautomation.com/global/support/direct-dial.page
Literature Library	Installation Instructions, Manuals, Brochures, and Technical Data.	http://www.rockwellautomation.com/global/literature-library/overview.page
Product Compatibility and Download Center (PCDC)	Get help determining how products interact, check features and capabilities, and find associated firmware.	http://www.rockwellautomation.com/global/support/pcdc.page

Documentation Feedback

Your comments will help us serve your documentation needs better. If you have any suggestions on how to improve this document, complete the How Are We Doing? form at http://literature.rockwellautomation.com/idc/groups/literature/documents/du/ra-du002_-en-e.pdf.

Rockwell Automation maintains current product environmental information on its website at <http://www.rockwellautomation.com/rockwellautomation/about-us/sustainability-ethics/product-environmental-compliance.page>.

Allen-Bradley, ControlLogix, ControlLogix-XT, Rockwell Automation, and Rockwell Software are trademarks of Rockwell Automation, Inc. Trademarks not belonging to Rockwell Automation are property of their respective companies.

Rockwell Otomasyon Ticaret A.Ş., Kar Plaza İş Merkezi E Blok Kat:6 34752 İçerenköy, İstanbul, Tel: +90 (216) 5698400

www.rockwellautomation.com

Power, Control and Information Solutions Headquarters

Americas: Rockwell Automation, 1201 South Second Street, Milwaukee, WI 53204-2496 USA, Tel: (1) 414.382.2000, Fax: (1) 414.382.4444
Europe/Middle East/Africa: Rockwell Automation NV, Pegasus Park, De Kleetlaan 12a, 1831 Diegem, Belgium, Tel: (32) 2 663 0600, Fax: (32) 2 663 0640
Asia Pacific: Rockwell Automation, Level 14, Core F, Cyberport 3, 100 Cyberport Road, Hong Kong, Tel: (852) 2887 4788, Fax: (852) 2508 1846

Publication 1756-IN619E-EN-P - September 2019

Supersedes Publication 1756-IN619D-EN-P - October 2018

PN-550057

Copyright © 2019 Rockwell Automation, Inc. All rights reserved. Printed in the U.S.A.