

## Allen-Bradley CP6 Cable

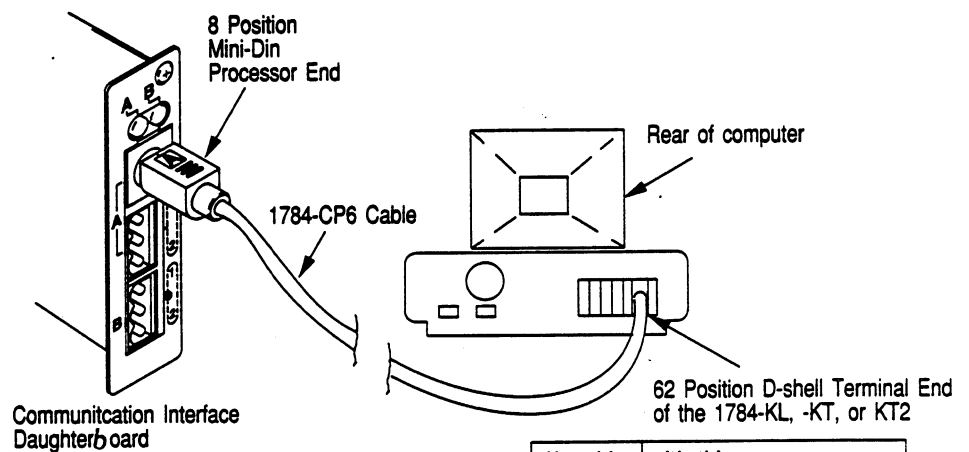
(Catalog No. 1784-CP6)

### To the Installer

Use the CP6 cable to connect a personal computer to a communication interface daughterboard (figure 1). The daughterboard provides the communication to your Data Highway Plus network and can be found in such devices as:

- Allen-Bradley family programmable controllers
- motion control devices
- host computers

**Figure 1**  
**Using the CP6 Cable to Connect a Personal Computer To a Communication Interface Daughterboard**



Use this interface:	with this computer:
1784-KT	IBM-AT/XT compatible computer
1784-KT	Allen-Bradley 1784-T35 or -T50 industrial terminal
1784-KL	Allen-Bradley 1784-T45 or -T47 industrial terminal
1784-KT2	IBM PS/2 device

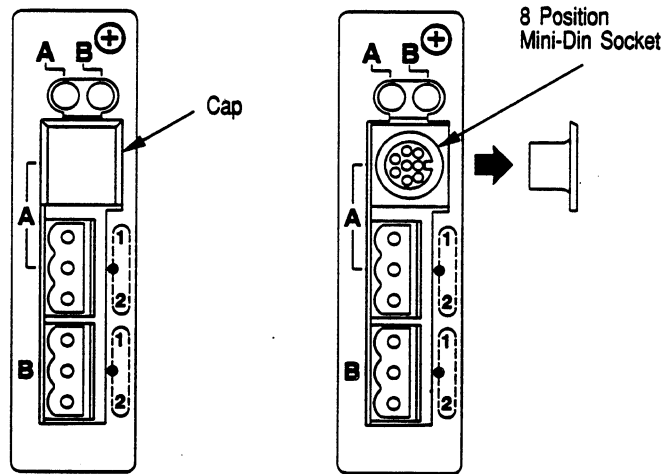
Refer to your device's user's manual for the location of the daughterboard.

## Installing the CP6 Cable

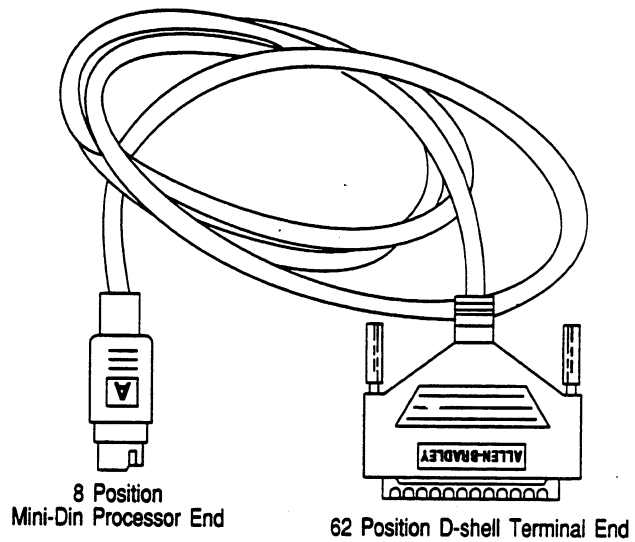
To install the CP6 cable, follow the steps below:

1. Locate the communication interface daughterboard and remove the cap covering the 8 position mini-din socket.

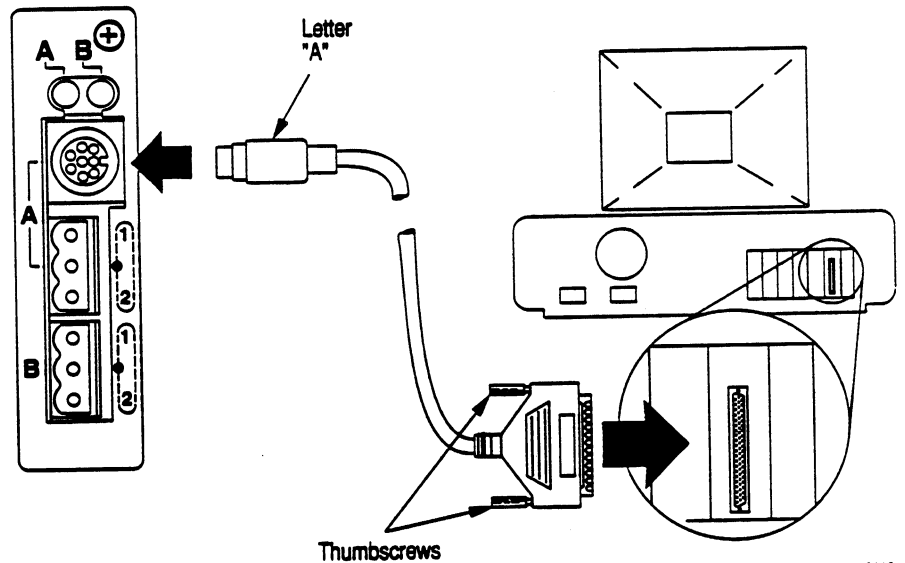
**Important:** Save this cap; you will need to re-insert it when the socket not in use.



2. Locate the cable.



3. Install the cable. Make sure the letter A on the processor end is facing toward the A and B LEDs. At the terminal end, turn the thumbscrews clockwise until they come to a complete stop.



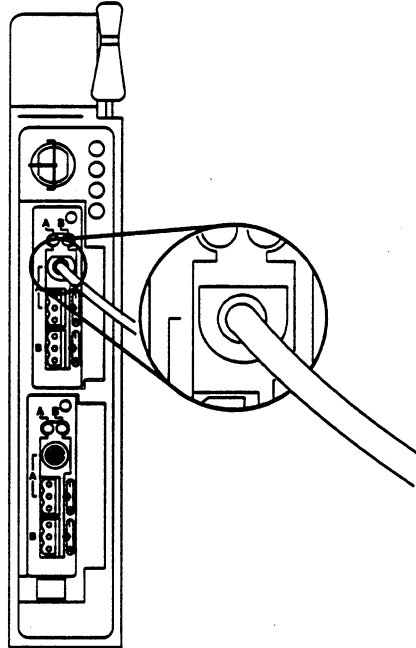
18116

The cable is now connected with channel A of the communication interface daughterboard.

**Important:** Allen-Bradley's PLC-5/40 and -5/60 family programmable controllers have two communication interface daughterboards. If you are connecting the CP6 cable to a PLC-5/40 or -5/60, you can use the socket of either daughterboard; however, you are only connected with channel A of the daughterboard in use.

Figure 2 shows the CP6 cable connected to a PLC- 5/40.

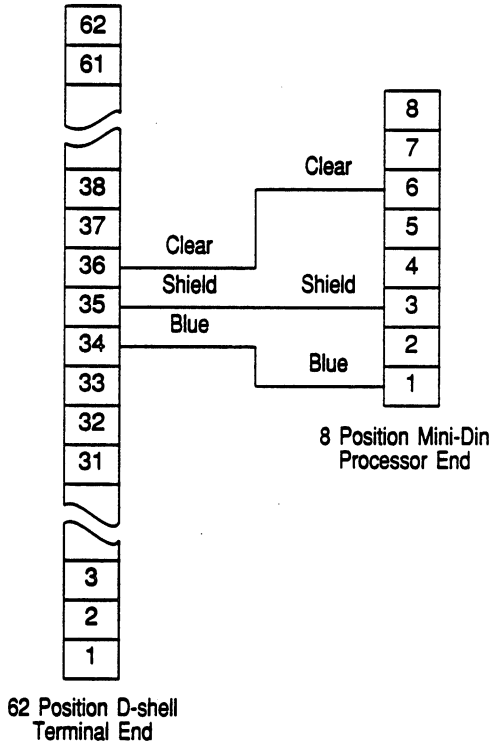
**Figure 2**  
**The CP6 Cable Connected to a PLC-5/40**



18117

## Cable Pinouts

Cable pinouts for the CP6 cable are shown below.



18118

## Specifications

Specifications for the CP6 cable are shown below.

Length	▪ 10ft (-0, +0.5ft) (3.04m)
Thumbscrew Threads	▪ #4-40 on 62 position D-sub
Storage Temperature	▪ -40 to 185°F (-40 to +85°C)
Operating Temperature	▪ 32 to 140°F (0 to 60°C)
Humidity	▪ 0 to 95% noncondensing



# ALLEN-BRADLEY

A ROCKWELL INTERNATIONAL COMPANY

As a subsidiary of Rockwell International, one of the world's largest technology companies — Allen-Bradley meets today's challenges of industrial automation with over 85 years of practical plant-floor experience. More than 13,000 employees throughout the world design, manufacture and apply a wide range of control and automation products and supporting services to help our customers continuously improve quality, productivity and time to market. These products and services not only control individual machines but integrate the manufacturing process, while providing access to vital plant floor data that can be used to support decision-making throughout the enterprise.

With offices in major cities worldwide.

---

**WORLD HEADQUARTERS**  
1201 South Second Street  
Milwaukee, WI 53204 USA  
Tel: (414)382-2000  
Telex: 43 11 016  
FAX: (414)382-4444

**EUROPE/MIDDLE EAST/AFRICA  
HEADQUARTERS**  
Allen-Bradley Europe B.V.  
Amsterdamseweg 15  
1422 AC Uithoorn  
The Netherlands  
Tel: (31)2975/43500  
Telex: (844) 18042  
FAX: (31)2975/60222

**ASIA/PACIFIC HEADQUARTERS**  
Allen-Bradley (Hong Kong) Limited  
2901 Great Eagle Center  
23 Harbour Road  
G.P.O. Box 9797  
Wanchai, Hong Kong  
Tel: (852)/573-9391  
Telex: (780) 64347  
FAX: (852)/834-5162

**CANADA HEADQUARTERS**  
Allen-Bradley Canada Limited  
135 Dundas Street  
Cambridge, Ontario N1R 5X1  
Canada  
Tel: (519)623-1810  
Telex: (069) 59317  
FAX: (519)623-8930

**LATIN AMERICA  
HEADQUARTERS**  
1201 South Second Street  
Milwaukee, WI 53204 USA  
Tel: (414)382-2000  
Telex: 43 11 016  
FAX: (414)382-2400