

Solenoid Key Release Unit - SRUE

Catalog Numbers 440T-MSRUE10x, 440T-MSRUE11x, 440T-MSRUE12x, 440T-MSRUE13x, 440T-MSRUE14x, 440T-MSRUE20x, 440T-MSRUE22x, 440T-MSRUE23x, 440T-MSRUE24x, 440T-MSRUE30x, 440T-MSRUE33x, 440T-MSRUE34x, 440T-MSRUE35x, 440T-MSRUE40x, 440T-MSRUE44x, 440T-MSRUE46x

Introduction

Installation must be in accordance with the following steps and stated specifications and implemented by suitably competent personnel. This device is intended to be part of the safety-related control system.

Before installation, perform a risk assessment to determine whether the specifications of this device are suitable for all operational and environmental characteristics of the machine to which it is to be fitted.

At regular intervals during the life of the unit, check whether these characteristics remain valid and inspect the device for evidence of accelerated wear, material degradation, or being tampered with. If necessary, replace the device. The manufacturer cannot accept responsibility for a failure of this device if the procedures are not implemented or if it is used outside the recommended specifications of this sheet document.

Adherence to the recommended maintenance instructions forms part of the warranty.



WARNING: Do not defeat, tamper, remove, or bypass this unit. Severe injury to personnel can result.

Maintenance

Frequency	Description
Every week	Check the correct operation of the switching circuit. Also check for signs of abuse or manipulation. Inspect the unit for damage. Replace the unit if damage is apparent.
At least every six months	Isolate all power. Check for any sign of wear or damage, for example, cam assembly wear, contact oxidization and replace if apparent. Clean out any accumulation of fine dirt and so on. Lubricate code barrel assembly with light oil or spray (for example, WD-40) or alternative product suitable for application. Assessment of operating environment can require the unit to be lubricated more frequently. Reinstatement of power and check for correct operation.

Repair

If there is any malfunction or damage, do not attempt to repair. Replace the unit before machine operation is allowed.

IMPORTANT Do not dismantle the unit.



Declaration of Conformity

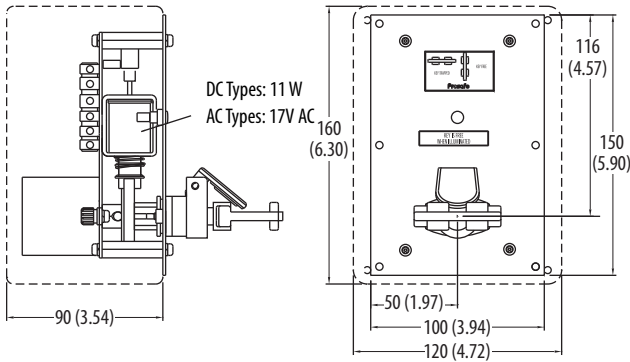
The Declaration of Conformity is to declare that the products that are shown in this document conform with the Essential Health and Safety Requirements (EHSRs) of the European Machinery Directive (2006/42/EC), and the relevant requirements of the Low Voltage Directive (2014/35/EU). These products also conform to EN 60947-5-1, EN 14119, EN 60204-1, and have third-party approval from TÜV.

For a comprehensive certificate, visit rok.auto/certifications.

Specifications

Attribute	Value
Key Free SRUE10, SRUE20 & SRUE30, SRUE40 SRUE11, SRUE22 & SRUE33, SRUE44 SRUE12, SRUE23 & SRUE34 SRUE13, SRUE14 & SRUE46 SRUE24 & SRUE35	Contacts 4 N.O. (20 A) 2 N.O. / 2 N.C. 4 N.O. (32 A) 3 N.O. / 3 N.C. (20 A) 4 N.O. (63 A)
Solenoid Voltage Options	24V DC (11 W) 110V AC and 230V AC (17VA)
Solenoid Monitoring	Two switches, 2 N.C.
Mechanical Life	100,000 (typical)
Shear Force to Key	15.1 kN (3398 lb) max.
Torque to Key	14 N·m (123.91 lb·in) max.

Dimensions [mm (in.)]



Installation

Upon installation, lubricate the code barrel assembly with light oil or spray (for example, WD-40®) or alternative product suitable for application. Check for correct operation.

[Figure 1](#) shows the panel cutout and screw size recommendation.

Figure 1 - Mounting

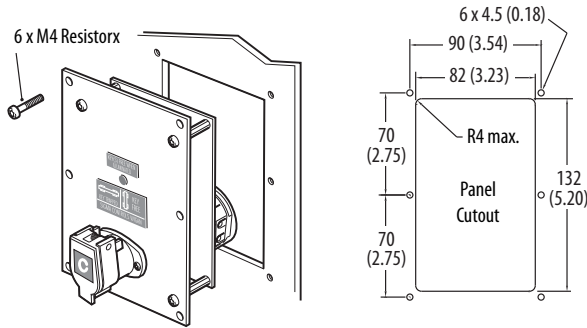
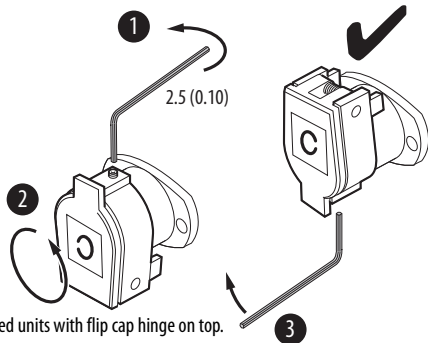


Figure 2 - Assembly



Rockwell Automation maintains current product environmental information on its website at <http://www.rockwellautomation.com/rockwellautomation/about-us/sustainability-ethics/product-environmental-compliance.page>.

Allen-Bradley, Guardmaster, Rockwell Automation, and Rockwell Software are trademarks of Rockwell Automation, Inc. Trademarks not belonging to Rockwell Automation are property of their respective companies.

Rockwell Otomasyon Ticaret A.Ş., Kar Plaza İş Merkezi E Blok Kat:6 34752 İçerenköy, İstanbul, Tel: +90 (216) 5698400

www.rockwellautomation.com

Power, Control and Information Solutions Headquarters

Americas: Rockwell Automation, 1201 South Second Street, Milwaukee, WI 53204-2496 USA, Tel: (1) 414.382.2000, Fax: (1) 414.382.4444
 Europe/Middle East/Africa: Rockwell Automation NV, Pegasus Park, De Kleetlaan 12a, 1831 Diegem, Belgium, Tel: (32) 2 663 0600, Fax: (32) 2 663 0640
 Asia Pacific: Rockwell Automation, Level 14, Core F, Cyberport 3, 100 Cyberport Road, Hong Kong, Tel: (852) 2887 4788, Fax: (852) 2508 1846

Publication 440T-IN031B-EN-P - September 2019

Supersedes Publication 440T-IN031A-EN-P - June 2017

Figure 3 - Operation

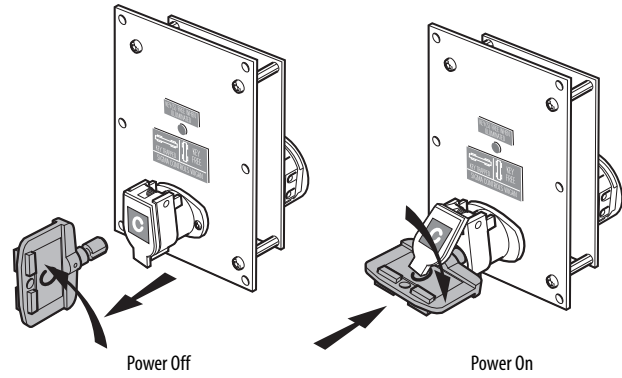


Figure 4 - Signal Input

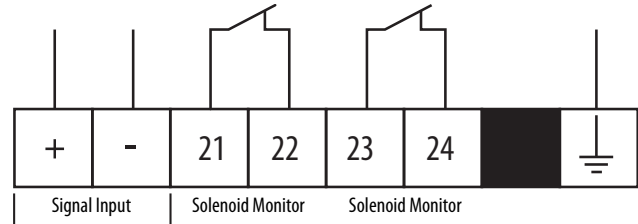
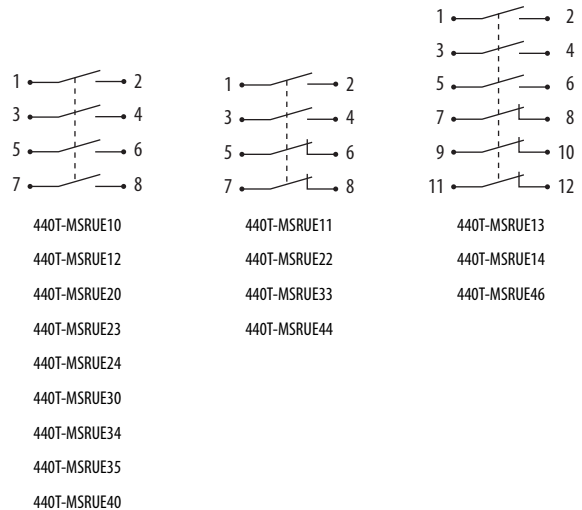


Figure 5 - Diagrams Shown with Key Free



K-7200134

7200134 Ver 05

Copyright © 2019 Rockwell Automation, Inc. All rights reserved. Printed in the U.S.A.