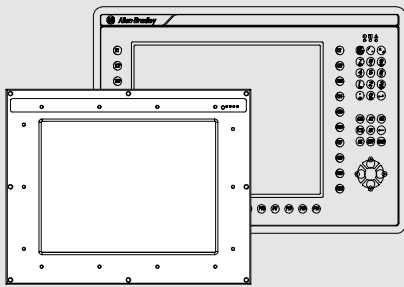




Allen-Bradley

*RAC 6181 and
VersaView
6181P-10, -12
Industrial
Computers*



User Manual



Important User Information

Solid state equipment has operational characteristics differing from those of electromechanical equipment. "Safety Guidelines for the Application, Installation, and Maintenance of Solid State Controls" (Publication SGI-1.1) describes some important differences between solid state equipment and hard-wired electromechanical devices. Because of this difference, and because of the wide variety of uses for solid state equipment, all persons responsible for applying this equipment must satisfy themselves that each intended application of this equipment is acceptable.

In no event will Rockwell Automation be responsible or liable for indirect or consequential damages resulting from the use or application of this equipment.

The examples and diagrams in this manual are included solely for illustrative purposes. Because of the many variables and requirements associated with any particular installation, Rockwell Automation cannot assume responsibility or liability for actual use based on the examples and diagrams.

No patent liability is assumed by Rockwell Automation with respect to use of the information, circuits, equipment, or software described in this manual.

Reproduction of the contents of this manual, in whole or in part, without written permission of Rockwell Automation is prohibited.

Throughout this manual, we use notes to make you aware of safety considerations.



ATTENTION: Identifies information about practices or circumstances that can lead to personal injury or death, property damage, or economic loss.

Important: Identifies information that is especially important for successful application and understanding of the product.

European Union Compliance

The RAC6181 Computer meets the European Union Directive requirements when installed within the European Union or EEA regions and has the CE mark. A copy of the Declaration of Conformity is available at the Rockwell Automation / Allen-Bradley Internet site: www.ab.com



ATTENTION: The RAC6181 Computer is intended to operate in an industrial or control room environment, which utilizes some form of power isolation from the public low voltage mains. Some RAC6181 Computer configurations may not comply with the EN 61000-3-2 Harmonic Emissions standard as specified by the EMC Directive of the European Union. Obtain permission from the local power authority before connecting any RAC6181 Computer configuration that draws more than 75 watts of AC power directly from the public mains.

Table of Contents

Using this Manual

Preface

Who Should Use This Manual	P-1
Purpose of this Manual.....	P-1
Contents of this Manual	P-2
Manual Conventions	P-3
Allen-Bradley Support	P-3

System Features

Chapter 1

Chapter Objectives	1-1
6181 Computer Versions	1-1
6181 Computer Packing List.....	1-2
Features of the 6181 Computer	1-3
LED Indicators	1-6
Backlight Dimming Control.....	1-7
Hazardous Location Certification	1-7

Installation

Chapter 2

Chapter Objective.....	2-1
European Union Compliance	2-1
Environmental Considerations	2-1
Mounting Hardware	2-2
Tools Required	2-2
Mounting Clearances.....	2-3
Mounting Dimensions	2-4
10.4 in. Mounting Cutout.....	2-9
12.1 in. Mounting Cutout.....	2-10
12.1 in. with Keypad Mounting Cutout.....	2-11
Panel Mounting with Mounting Studs.....	2-12
Panel Mounting with Mounting Clips	2-13
Connecting Equipment in Hazardous Locations	2-14
Connecting a Mouse & Keyboard (Side Panel)	2-15
Connecting a Mouse & Keyboard (12.1 in. Keypad Version)..	2-16
AC Power Connections	2-17
DC Power Connections	2-18
Network Connections	2-18

Initial Operation and Setup	Chapter 3
	Chapter Objective 3-1
	Operating Recommendations..... 3-1
	Operator Access 3-1
	System Checkout 3-2
	System Reset..... 3-2
	Driver Installation..... 3-2
	Using USB 3-3
	Installing Windows NT® Networking..... 3-3
	Installing a 6181 Computer Touchscreen Driver 3-4
Adding/Removing System Components	Chapter 4
	Chapter Objectives..... 4-1
	Safety Precautions 4-1
	Hazardous Locations 4-2
	Thermal Considerations for Add-In Cards..... 4-2
	Removing the Back Cover and Top Cover 4-3
	Adding/Removing CPU and Add-in Cards..... 4-4
Installing/Removing the Power Supply	Chapter 5
	Chapter Objective 5-1
	Safety Precautions 5-1
	Installing/Removing a Power Supply 5-2
Installing/Removing the Hard Drive, Floppy Drive, or Expansion Bay	Chapter 6
	Chapter Objective 6-1
	Available Drives 6-1
	Safety Precautions 6-1
	Installing/Removing a Hard Drive or Floppy Drive 6-2
	Installing/Removing an Expansion Bay 6-5
Connecting External Drives	Chapter 7
	Chapter Objective 7-1
	Safety Precautions 7-1
	Sample External Drives 7-1
	Connecting an External Drive 7-2

Installing/Removing Memory Modules	Chapter 8
	Chapter Objective.....8-1
	Available RAM Memory.....8-1
	Guidelines for Adding/Removing Memory.....8-2
	Safety Precautions.....8-3
	Adding/Removing Memory Modules.....8-3
Replacing the Backlight Tubes	Chapter 9
	Chapter Objective.....9-1
	Safety Precautions.....9-1
	Disconnecting the Touchscreen Cable.....9-2
	Replacing the Backlight Tubes
	10.4-in. Display-Only Version.....9-3
	12.1-in. Display-Only Version.....9-5
	12.1-in Keypad Version.....9-7
12.1 in. Keypad Bezel Operation	Chapter 10
	Chapter Objectives.....10-1
	Installing Keypad Legend Strips.....10-1
	Setting Up and Using the Keypad Configuration Utility Software.....10-4
System Troubleshooting	Chapter 11
	Chapter Objectives.....11-1
	Hardware Diagnostics.....11-1
	Troubleshooting Procedure.....11-2
	Troubleshooting Check Lists.....11-3
Maintenance	Chapter 12
	Chapter Objectives.....12-1
	Cleaning the Display.....12-1
	Cleaning the Chassis Fan Filter.....12-2
	Replacing the Battery.....12-3
	Replacement Parts.....12-4
Specifications	Appendix A

**CPU Specifications and
BIOS Settings****Appendix B**

Pentium® CPU Card Specifications	B-1
Pentium III CPU Card Specifications	B-2
BIOS Information	B-3

Using a Touchscreen**Appendix C**

Appendix Overview	C-1
6181 Computers with Touchscreen	C-1
Resistive Touchscreen Technology	C-2
Calibrating the Touchscreen	C-2
Maintenance	C-3

Index

Using this Manual

Read this preface to familiarize yourself with the rest of the manual. The preface covers the following topics:

- who should use this manual
- the purpose of the manual
- contents of the manual
- conventions used in this manual
- Allen-Bradley support

Who Should Use This Manual

Use this manual if you are responsible for installing, using, or troubleshooting the RAC6181 Industrial Computer.

Purpose of this Manual

This manual is a user guide for the RAC6181 Industrial Computer. It gives an overview of the system and describes procedures you use to:

- install the RAC6181 Computer in a panel or enclosure
- install and remove system components
- run the system
- troubleshoot the system

Contents of this Manual

Chapter	Title	Contents
	Preface	Describes the purpose, background, and scope of this manual. Also specifies the audience for whom this manual is intended.
1	System Features	Shows the different versions of the RAC6181 Computer and system features.
2	Installation	Describes how to install the RAC6181 Computer in a panel or enclosure. Also tells how to connect devices (such as a mouse/keyboard) to the system.
3	Initial Operation and Setup	Tells how to start and checkout the system.
4	Adding/Removing System Components	Gives procedures for adding/removing memory, add-in boards, hard drive, accessory drive, power supply and processor board.
5	Installing/Removing the Power Supply	Gives procedures for installing or removing a RAC6181 power supply.
6	Installing/Removing the Hard Drive, Floppy Drive, or Expansion Bay	Gives procedures for removing or installing a hard drive, floppy drive, or expansion bay into the RAC6181 Computer.
7	Connecting External Drives	Explains how to connect an external drive (such as a CD-ROM) to the RAC6181 Computer.
8	Installing/Removing Memory Modules	Gives procedures for installing or removing memory modules to the RAC6181 Computer.
9	Replacing the Backlight Tubes	Gives procedures for replacing the backlight tubes on the RAC6181 Computer display.
10	12.1 in Keypad Bezel Operation	Describes operations specific to the RAC6181 12.1 in. keypad version.
11	System Troubleshooting	Explains how to interpret and correct problems with the RAC6181 Computer.
12	Maintenance	Gives procedures for cleaning the RAC6181 Computer display, and other components.
Appendix A	Specifications	Provides physical, electrical, environmental, and functional specifications.
Appendix B	CPU Specifications and BIOS Settings	Provides information on the CPU card and BIOS settings of the RAC6181 Computer.
Appendix C	Using a Touchscreen	Provides information on using a touchscreen with the RAC6181 Computer.

Manual Conventions

The following conventions are used throughout this manual:

- Bulleted lists such as this one provide information, not procedural steps.
- Numbered lists provide sequential steps or hierarchical information.

Allen-Bradley Support

Allen-Bradley offers support services worldwide, with over 75 Sales/Support Offices, 512 authorized Distributors and 260 authorized Systems Integrators located throughout the United States alone, plus Allen-Bradley representatives in every major country in the world.

Local Product Support

Contact your local Allen-Bradley representative for:

- sales and order support
- product technical training
- warranty support
- support service agreements

Technical Product Assistance

If you need to contact Allen-Bradley for technical assistance, please review the information in the System Troubleshooting chapter first. Then call your local Allen-Bradley representative or contact Allen-Bradley technical support at (440) 646-5800.

For additional product information and a description of the technical services available, visit the Rockwell Automation/Allen-Bradley Internet site at <http://www.ab.com>.

System Features

Chapter Objectives

This chapter provides an overview of the RAC6181 Industrial Computer including:

- available versions
- software
- additional catalog items

RAC6181 Computer Versions

The following table summarizes the options for each version:

Table A
RAC6181 Computer Product Options

Feature	10.4-inch Display	12-inch Display	12-inch Display with Keypad	Non-Display
Processor Board	x	x	x	x
Hard Drive	x	x	x	x
1.44 Mbyte Floppy Drive	x	x	x	x
External Video Interface	x	x	x	x
Integral Flat Panel Display	x	x	x	
Touchscreen Option	x	x	x	
Field Replaceable Backlight	x	x	x	
Keypad Option			x	
2-Slot Chassis	x	x	x	x
4-Slot Chassis	x	x	x	x

RAC6181 Computer Packing List

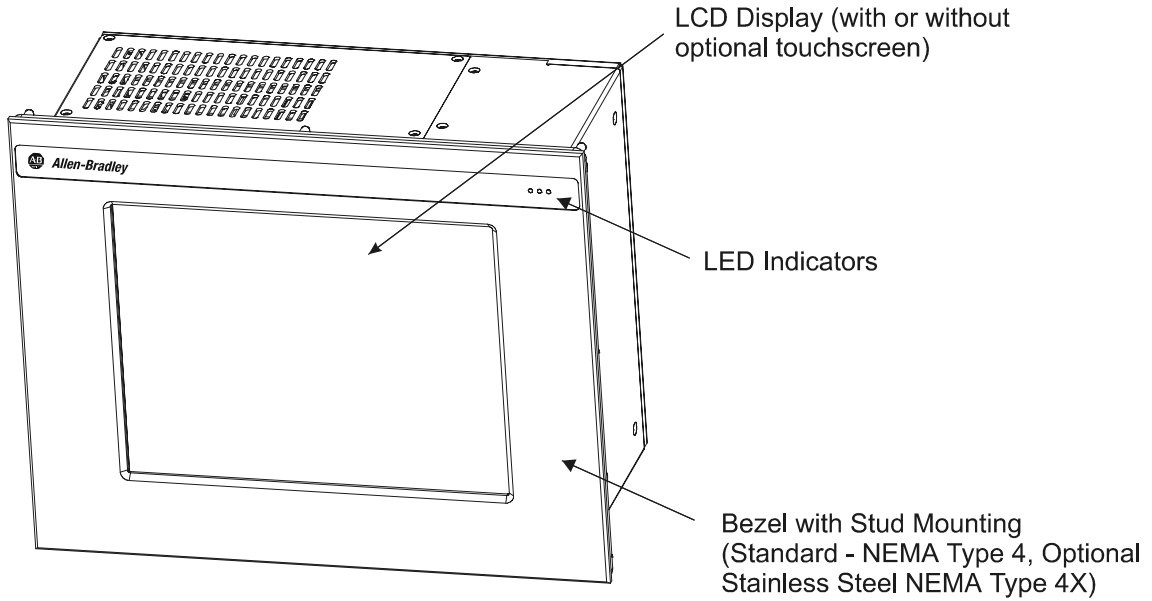
The RAC6181 Computer is delivered with the following items:

- Computer
- Mounting nuts (10, 8 required) or mounting clips (6) (12 in. keypad version only)
- Power cord retention clip and power cord (VAC version only)
- Operating system media with documentation, if ordered
- Touchscreen driver/utility diskette, if ordered
- Accessories CD with Video, Ethernet and Keypad drivers and Keypad Configuration Utility backup/installation
- VersaView recovery CD
- Keyboard jumper cable (12-inch keypad version only)
- This manual (Publication 6181-UM001)

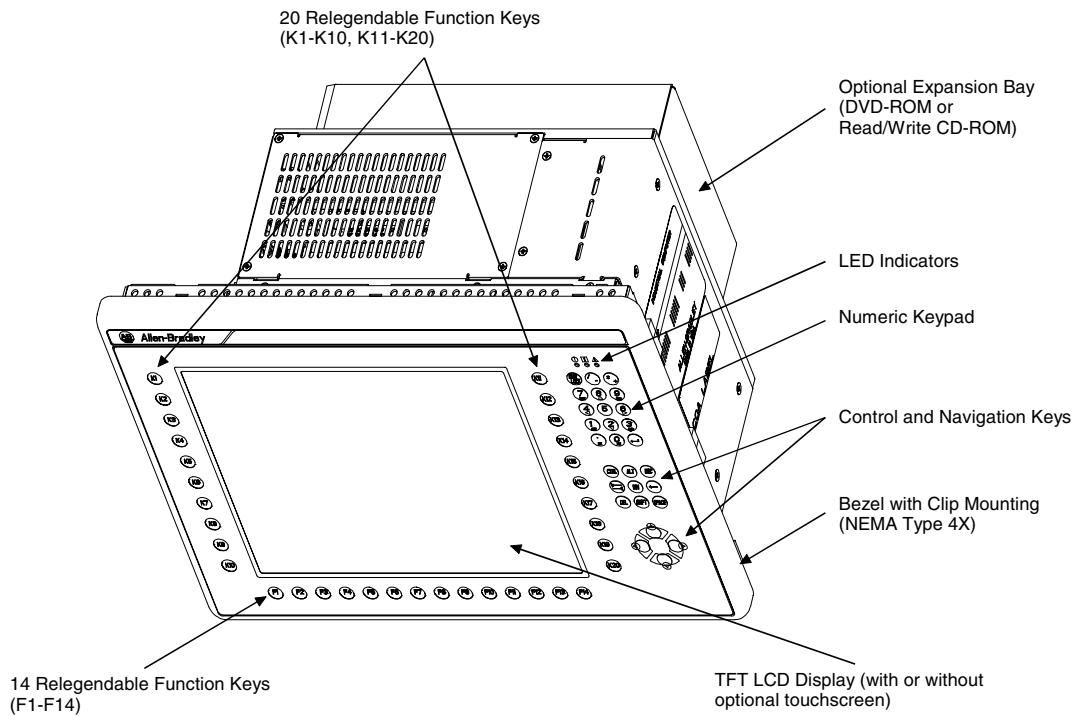
Features of the RAC6181 Computer

The following illustrations show the major features and controls of the display versions of the RAC6181 Computer.

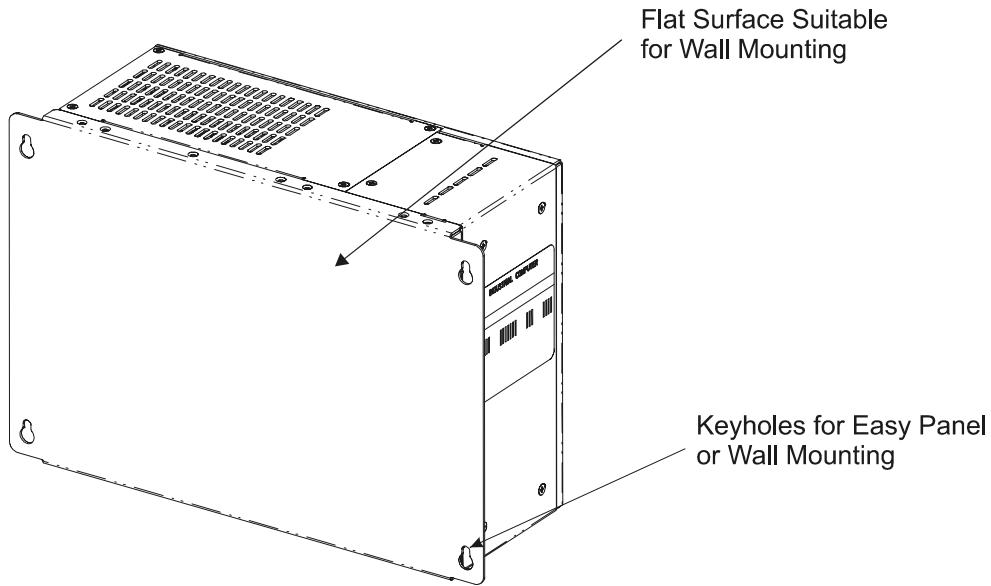
RAC6181 Computer - Display Versions



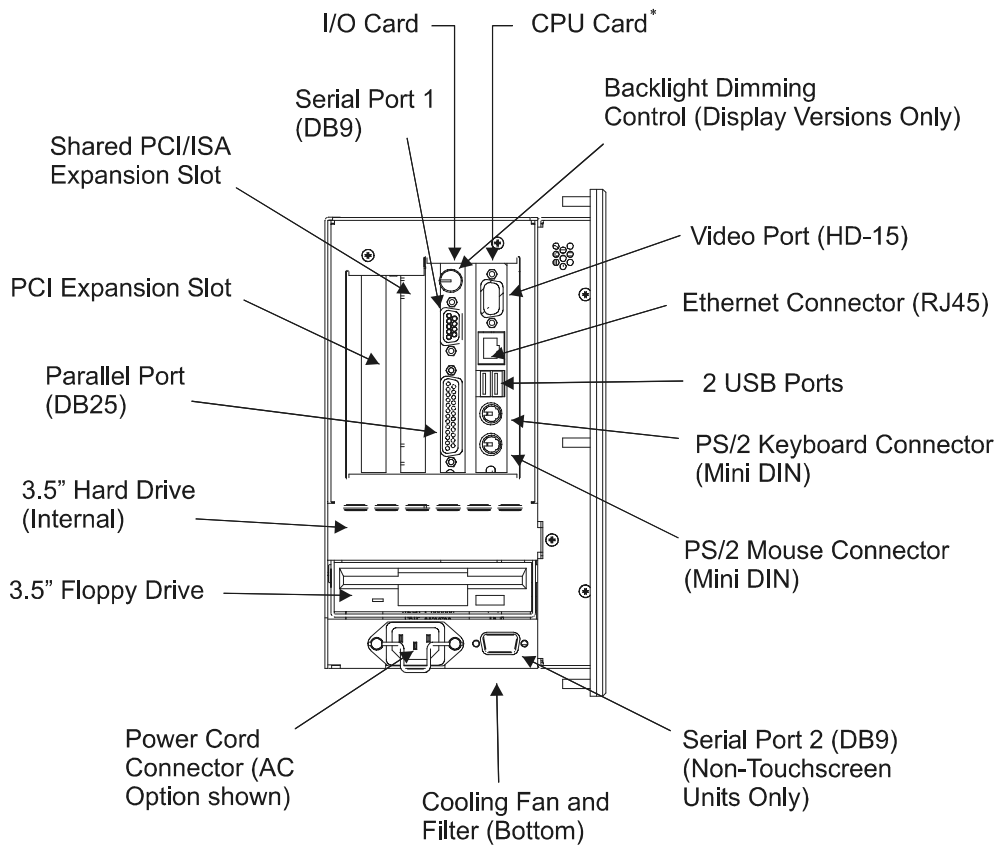
RAC6181 Computer – Keypad/Display Versions



RAC6181 Computer - Non-Display Version

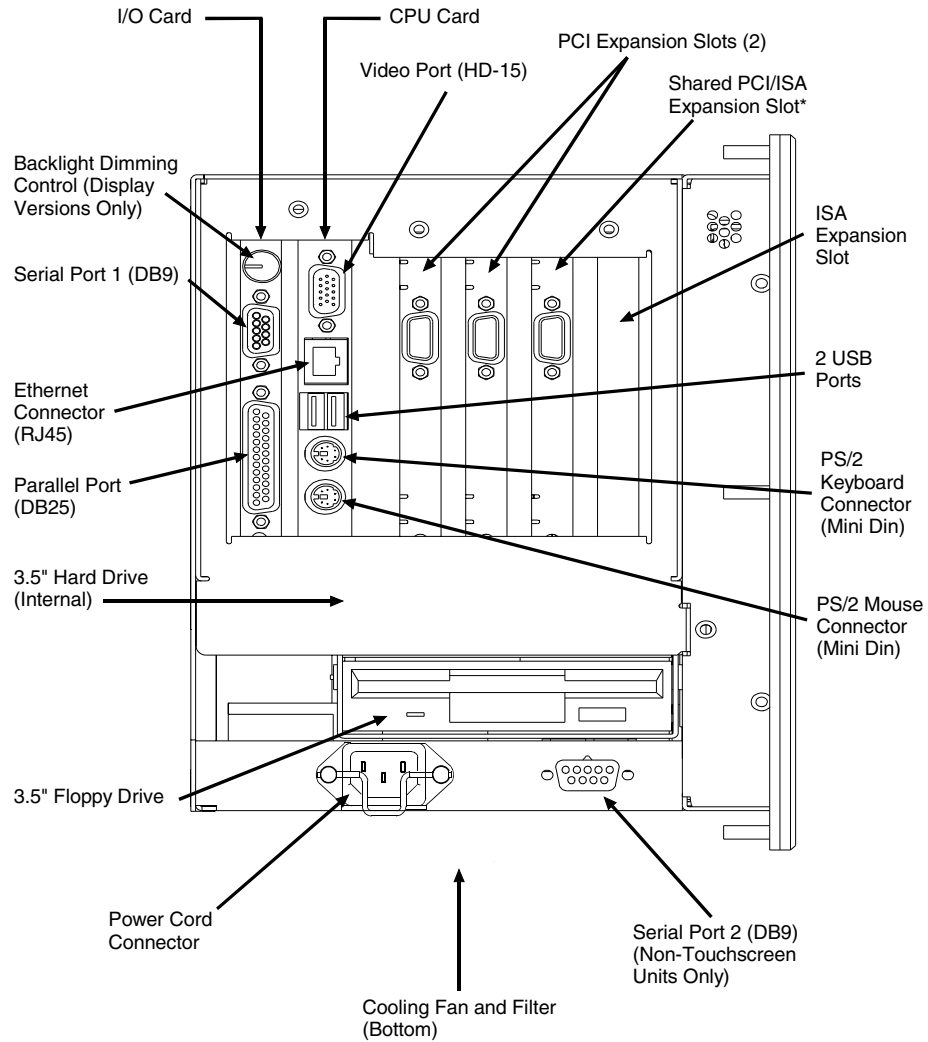


RAC6181 Computer Connectors – 2 Slot Chassis



* The maximum processor speed available for 2-slot chassis is the Pentium III 600MHz option.

RAC6181 Computer Connectors – 4 Slot Chassis



* For Pentium/AMD CPU card, the shared PCI/ISA expansion slot will only support an ISA card. The Pentium III CPU card can support either a PCI or ISA card in this slot.

LED Indicators

The following tables show the LED indicators on the RAC6181 Computer. Standard units have symbol indicator labels. Units with the optional stainless steel bezel have no labels.

Table B
LED Indicators (Display Versions Only)







Indicator	Position	Color	Indicates
	Left	Red	<p>Diagnostics. Indicates that one of the following conditions exists:</p> <ul style="list-style-type: none"> • Overtemperature. Temperature inside the RAC6181 Computer enclosure is above defined threshold. • Fan Sensor. System fan not operating within defined thresholds. • Voltage. Voltages not within specification. <p>Refer to Chapter 11, System Troubleshooting, for information on resolving diagnostic conditions.</p>
	Center	Green	Hard Drive Access
	Right	Green	Power On

Table C
LED Indicators (Keypad Display Versions Only)

Indicator	Position	Color	Indicates
	Right	Red	<p>Diagnostics. Indicates that one of the following conditions exists:</p> <ul style="list-style-type: none"> • Overtemperature. Temperature inside the RAC6181 Computer enclosure is above defined threshold. • Fan Sensor. System fan not operating within defined thresholds. • Voltage. Voltages not within specification. <p>Refer to Chapter 11, System Troubleshooting, for information on resolving diagnostic conditions.</p>
	Center	Green	Numlock key activated
	Left	Green	Power On

Backlight Dimming Control

Use the backlight dimming control to vary the screen lighting for optimum viewing.

Turn the control clockwise to increase display backlight brightness. Turn it counter-clockwise to dim the display backlight.

Hazardous Location Certification

Specific configurations of the RAC6181 Computer are certified for Class I, Division 2, Groups A, B, C, D, T4A temperature code, hazardous areas.

All options for RAC6181 Series B computers except for the following communication cards are available with Class I, Div 2 certification:

- 1784-PKTX
- 1784-PKTXD
- 1784-PKTS
- 2 Channel PCI Communication Card (6189-COMMCARD)



ATTENTION: The RAC6181 Series B computer is only certified for Class I, Div 2 environments in factory-shipped configurations. Adding PC cards or changing the factory-shipped configuration will nullify this certification.

Installation

Chapter Objective

This chapter describes installation of the RAC6181 Industrial Computer including how to install the RAC6181 Computer in a panel using mounting studs or clips.

European Union Compliance

The RAC6181 Computer meets the European Union Directive requirements when installed within the European Union or EEA regions and has the CE mark. A copy of the Declaration of Conformity is available at the Rockwell Automation / Allen-Bradley Internet site: www.ab.com



ATTENTION: The RAC6181 Computer is intended to operate in an industrial or control room environment, which utilizes some form of power isolation from the public low voltage mains. Some RAC6181 Computer configurations may not comply with the EN 61000-3-2 Harmonic Emissions standard as specified by the EMC Directive of the European Union. Obtain permission from the local power authority before connecting any RAC6181 Computer configuration that draws more than 75 watts of AC power directly from the public mains.

Environmental Considerations

Mount the RAC6181 Computer in a panel or enclosure to protect the internal circuitry. Versions with a gasketed bezel meet NEMA Type 1, 12, 13 and 4 (Indoor use) and IEC IP54, IP65 only when mounted in a panel or enclosure having an equivalent rating. The non-display version does not have a gasket and has a NEMA Type 1 and IEC IP2X rating.

Allow enough room within the enclosure for adequate ventilation. Also consider heat produced by other devices in the enclosure. The ambient temperature around the RAC6181 Computer must be maintained between 5° and 50°C (41° to 122° F). The RAC6181 Computer is intended for use in Pollution Degree 2 environments.

Make sure you provide provisions for accessing the back and side panels of the RAC6181 Computer to install/remove components, and to access the floppy disk drive and optional CD-ROM type drives.


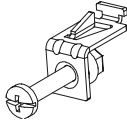


ATTENTION: The RAC6181 Industrial Computer is designed for vertical panel-mount installation. Do not mount the RAC6181 with DVD-ROM or CD-R/W option with an angle more than 5 degrees from vertical. This may cause operational problems with the DVD-ROM or CD-R/W drive, and may result in damage to your media.

Mounting Hardware

Versions of the RAC6181 Computer with a display are shipped with one of the following types of mounting hardware:

Table D
Mounting Hardware

Item	Description	Quantity	Use For
	Self-locking nuts (#10-32)	10 (8 required)	Panel or enclosure mounting (display version)
	Mounting clips	6	Panel or enclosure mounting (display/keypad version)

Tools Required

In addition to the tools required to make the cutout, you will need the following tools:

For Mounting Studs:

- 3/8 inch socket
- 6 inch (15 cm) extension rod (minimum)
- Socket driver (in/lb. torque wrench recommended)
- Ruler

For Mounting Clips:

- Flat blade screwdriver
- Ruler

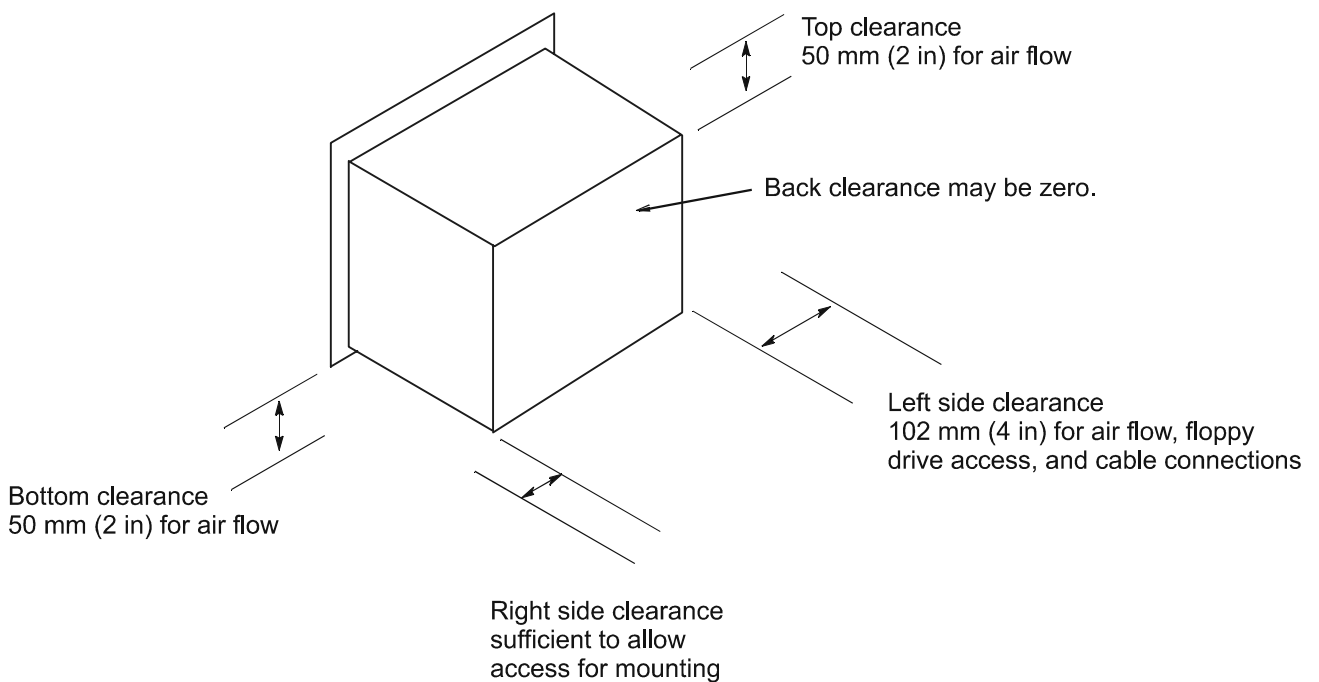
Mounting Clearances

Allow adequate space for mounting, air flow, and maintenance. The figure below shows recommended minimum clearances to other components within the rack or enclosure.



ATTENTION: The RAC6181 Computer should not be operated within a confined space of the dimensions shown below unless adequate ventilation or other cooling methods are used to lower the air temperature within the enclosure.

6181 Mounting Clearances

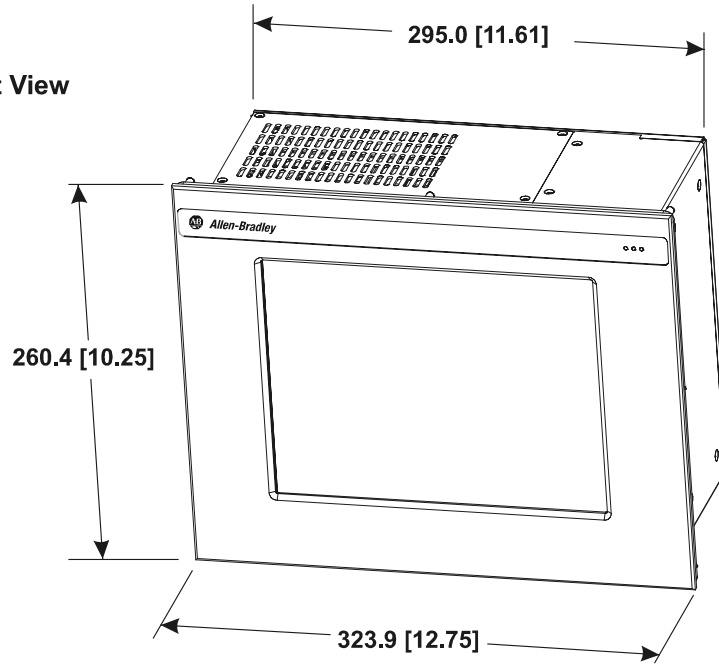


Mounting Dimensions

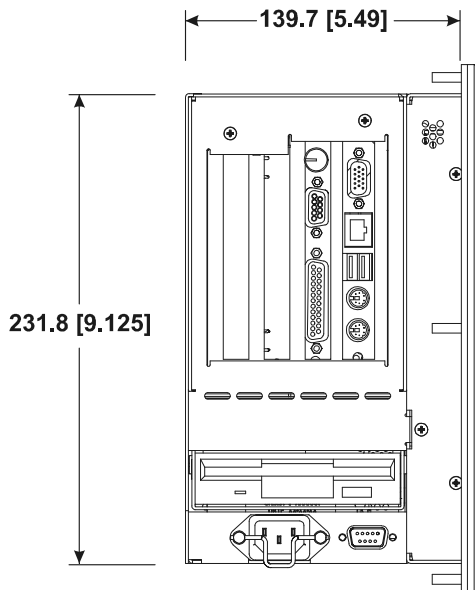
The following figures show the mounting dimensions for the RAC6181 Computer.

10.4 in. Version with Display

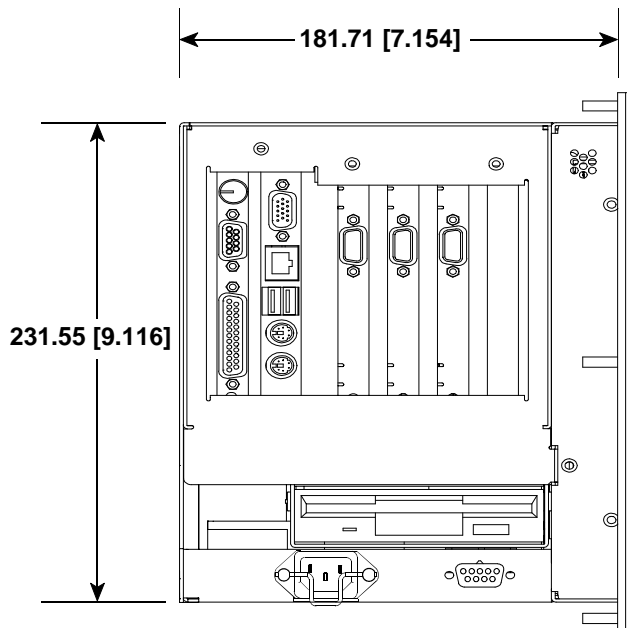
Front View



2-Slot Version (Side View)

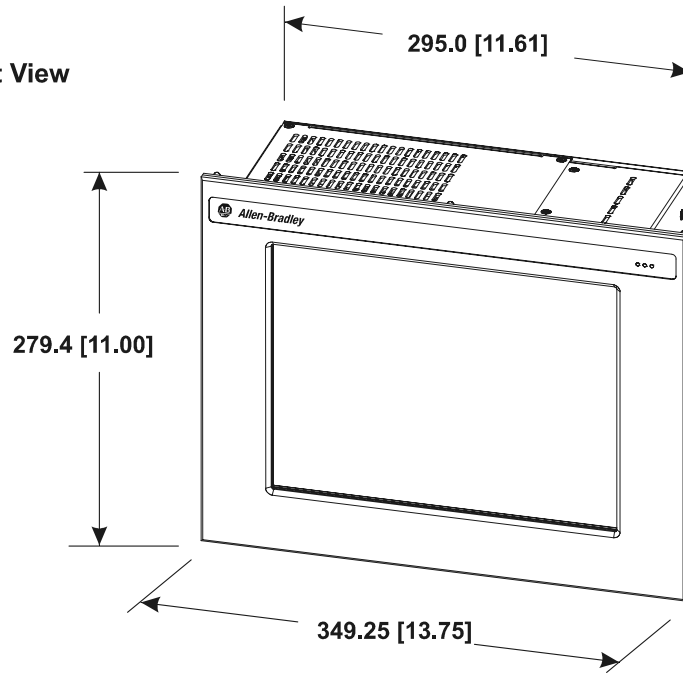


4-Slot Version (Side View)

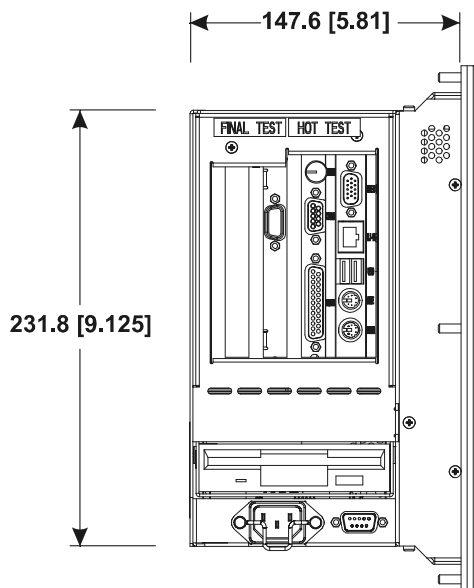


12.1 in. Version with Display

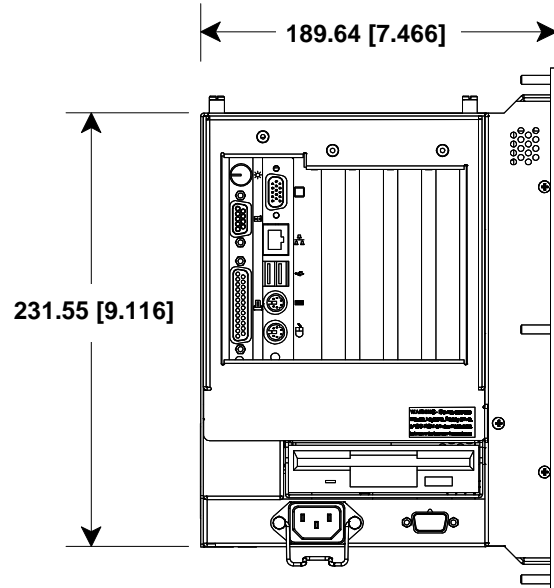
Front View



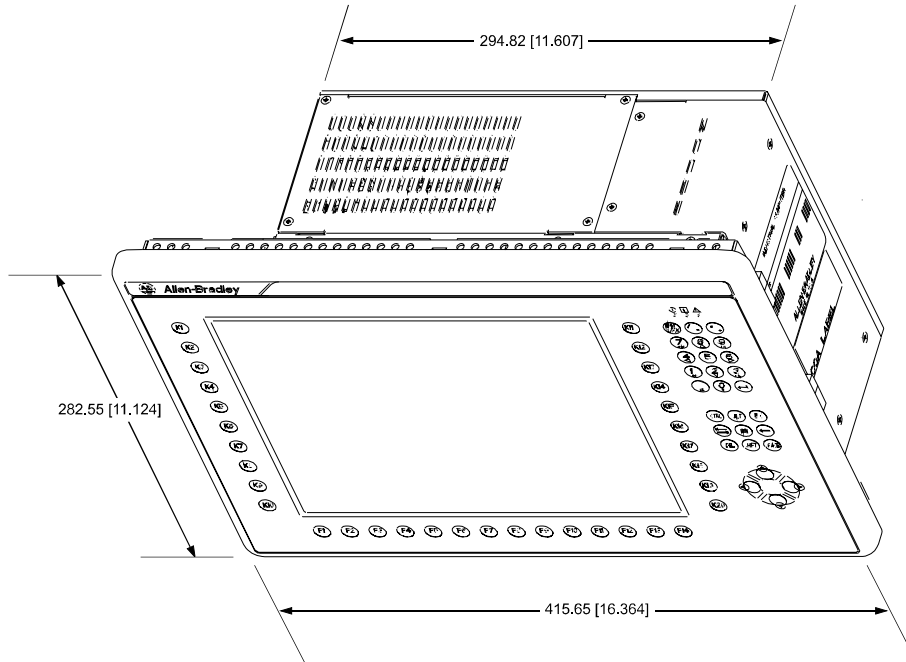
2-Slot Version (Side View)



4-Slot Version (Side View)

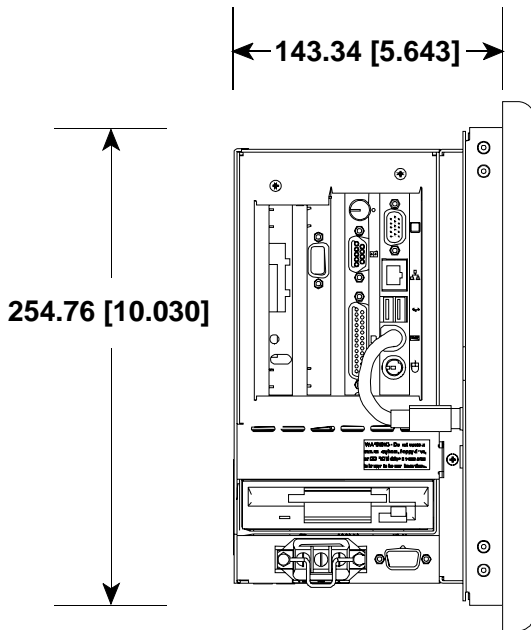


12.1 in. Version with Keypad and Display



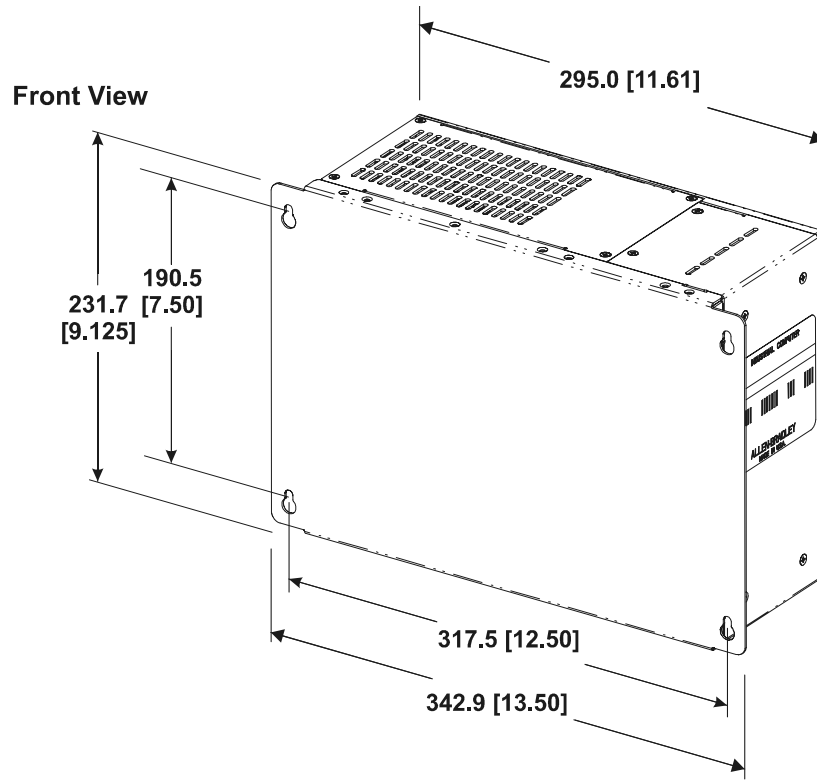
2-Slot Version (Side View)

4-Slot Version



Height: 254.76 [10.030]
Depth: 173.02 [6.811]

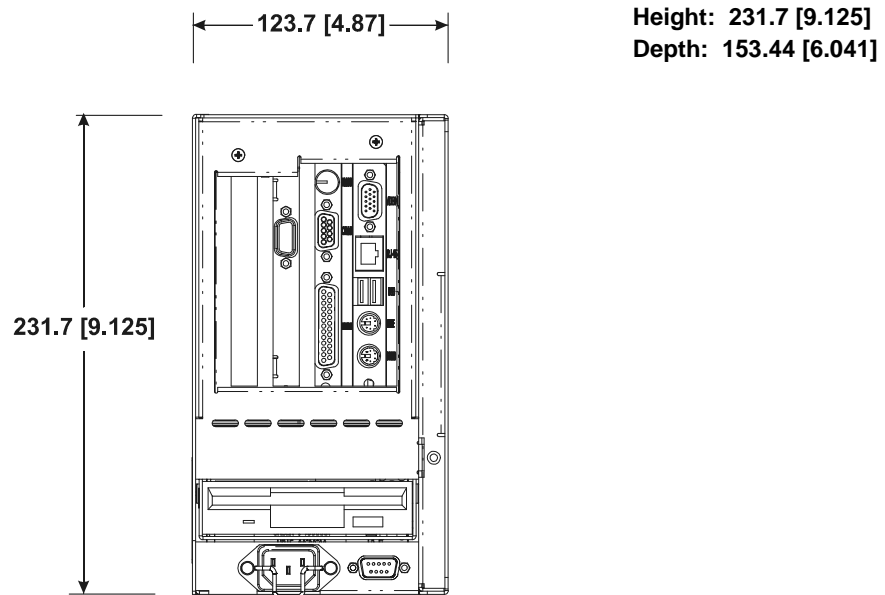
Non-Display Version



2-Slot Version

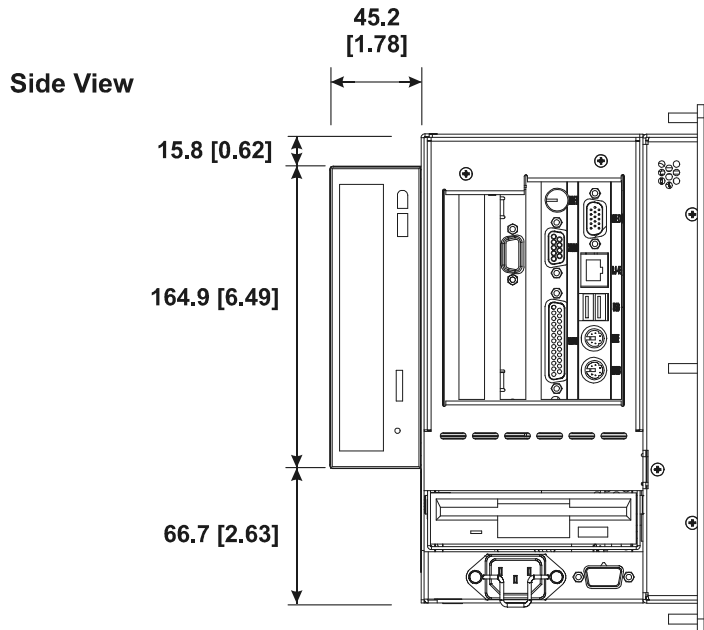
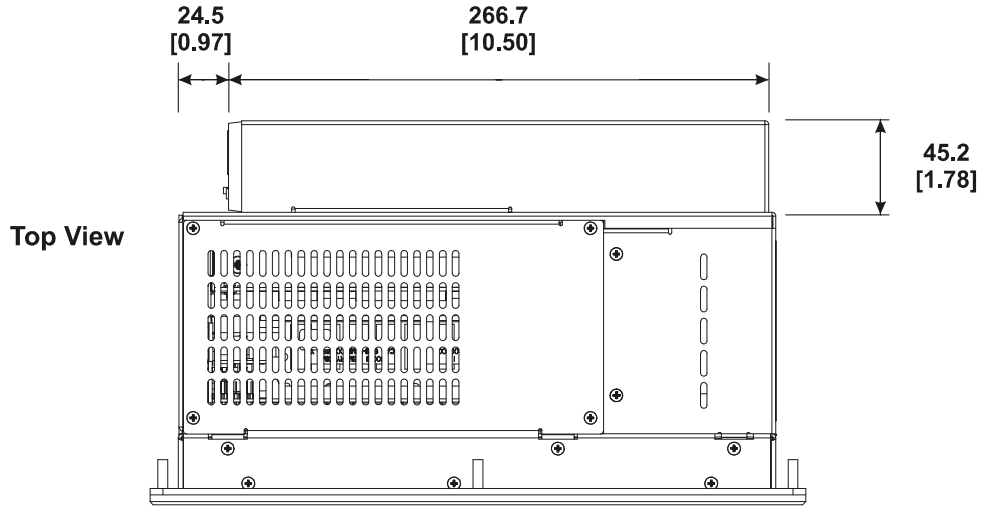
4-Slot Version

Side View



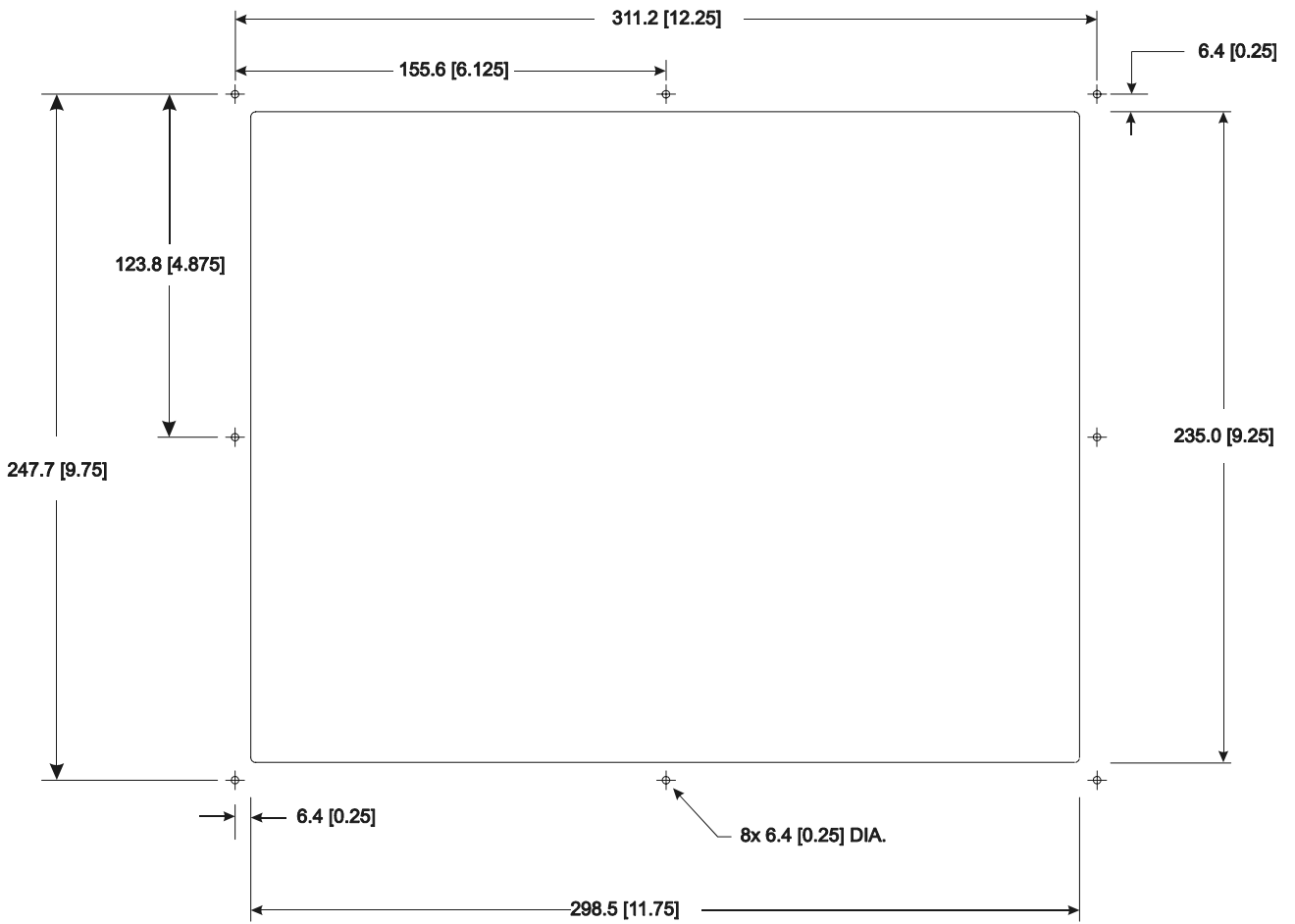
RAC6181 Industrial Computer with Expansion Bay Option

The following figures show the mounting dimensions for the RAC6181 Computer with expansion bay option installed. The expansion bay option is valid for any RAC6181 enclosure option.



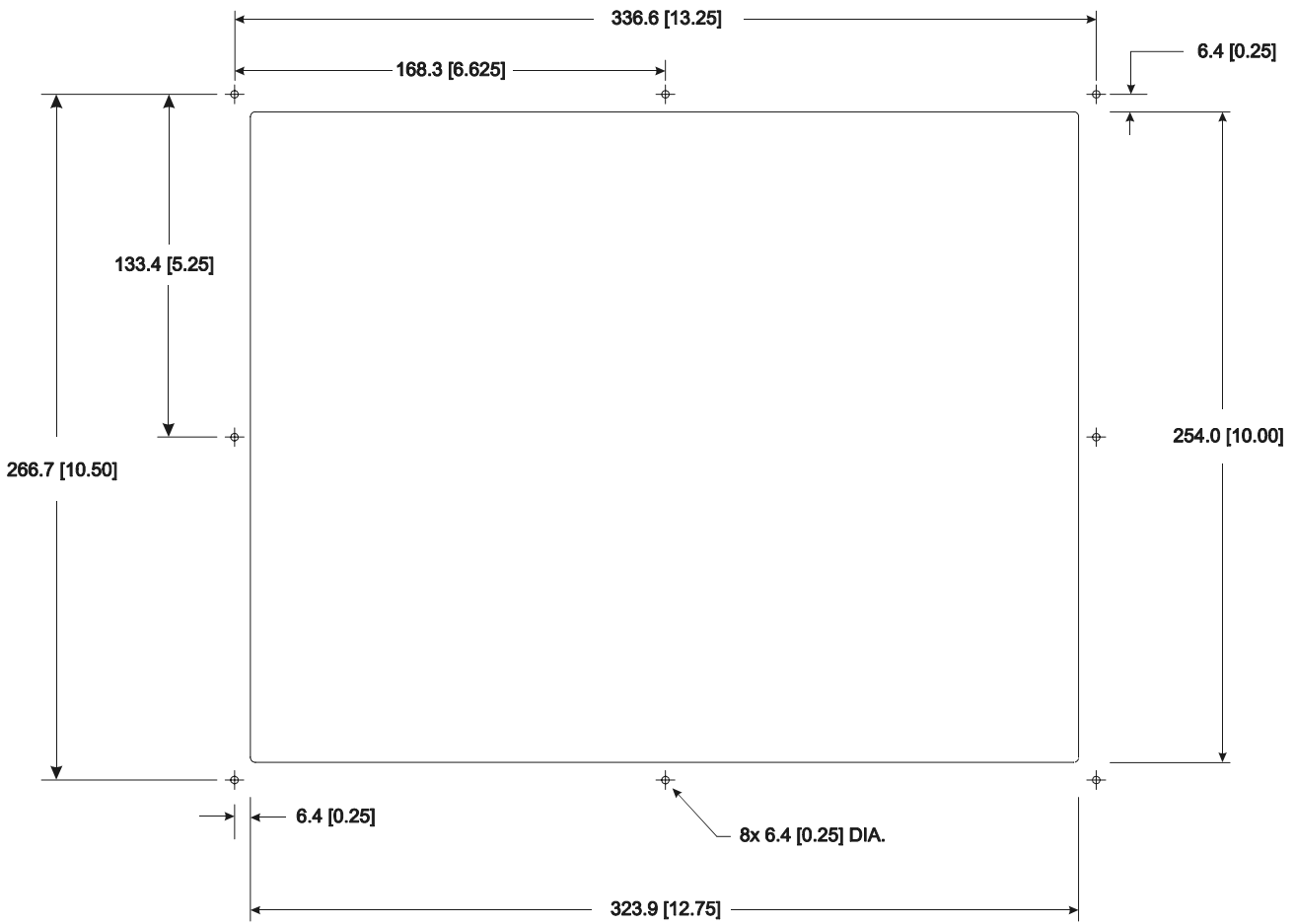
10.4 in. Mounting Cutout

The following figure provides the dimensions for making the panel or enclosure cutout for the 10.4 in. RAC6181 Computer.



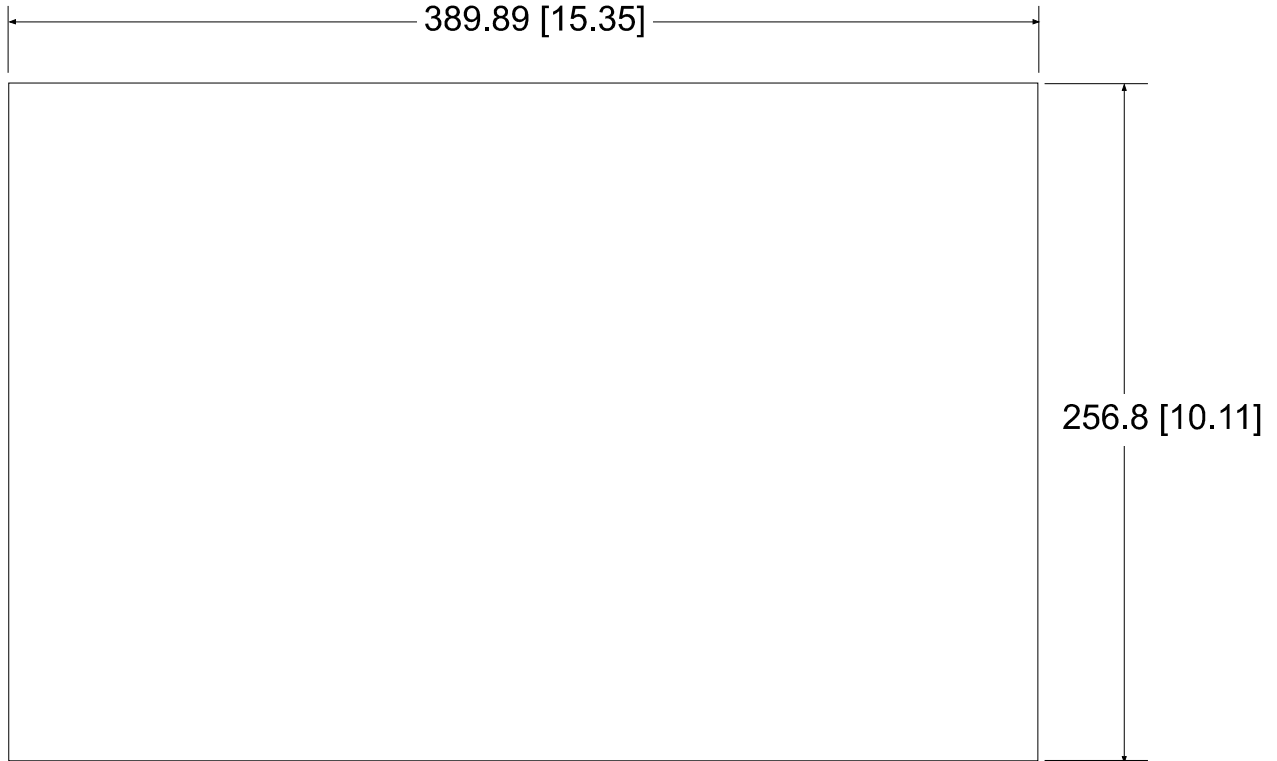
12.1 in. Mounting Cutout

The following figure provides the dimensions for making the panel or enclosure cutout for the 12.1 in. RAC6181 Computer.



**12.1 in. with Keypad
Mounting Cutout**

The following figure provides the dimensions for making the panel or enclosure cutout for the 12.1 in. RAC6181 Computer with keypad.



Panel Mounting with Mounting Studs

To install the RAC6181 Computer in a panel using 8 mounting studs:



ATTENTION: Disconnect all electrical power from the panel before making cutout.

Make sure the area around the panel cutout is clear.

Take precautions so that metal cuttings do not enter any components that are already installed in the panel.

Failure to follow these warnings may result in personal injury or damage to the panel components.

To install the RAC6181 Computer in a panel using mounting studs:

1. Cut an opening in the panel using the appropriate panel cutout dimensions provided on Page 2-9 (10.4 in. version) or Page 2-10 (12.1 in. version). Carefully drill eight 6.4mm (0.25in.) holes for the mounting studs as indicated.
2. Make sure the sealing gasket is properly positioned on the terminal. This gasket forms a compression-type seal (NEMA Type 4), do not use sealing compounds.
3. Place the RAC6181 Computer in the panel cutout aligning the studs with the mounting holes.
4. Install the 8 self-locking nuts hand tight.
5. Alternately tighten the self-locking nuts (use 3/8 in. socket) until the RAC6181 Computer is held firmly against the panel (see recommended tightening sequence below). The amount of torque required increases significantly as the gasket reaches the proper compression. Tighten nuts to a torque of 2.7 N-m (24 in-lbs).

8 1 5

4 Recommended
Torque Sequence

3

Note that sequence starts at center studs and continues to the corner studs.

7 2 6



ATTENTION: Tighten mounting nuts to a torque of 2.7 N-m (24 in-lbs) to provide a proper seal and prevent damage to the RAC6181 Computer. Rockwell Automation assumes no responsibility for water or chemical damage to the terminal or other equipment within the enclosure because of improper installation.

Panel Mounting with Mounting Clips

To install the RAC6181 Computer in a panel using mounting clips:



ATTENTION: Disconnect all electrical power from the panel before making cutout.

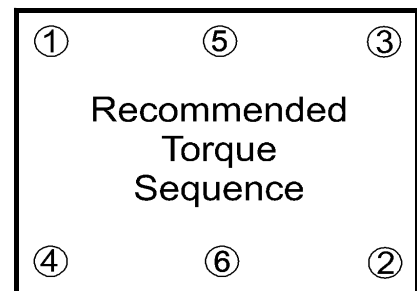
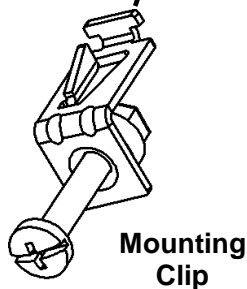
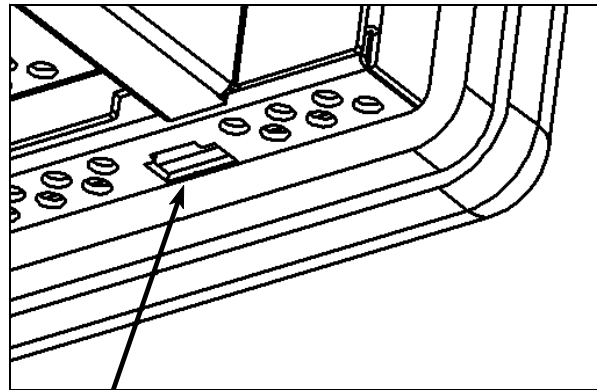
Make sure the area around the panel cutout is clear.

Take precautions so that metal cuttings do not enter any components that are already installed in the panel.

Failure to follow these warnings may result in personal injury or damage to the panel components.

To install the RAC6181 Computer in a panel using mounting clips:

1. Cut an opening in the panel using the appropriate panel cutout dimensions provided on 2-11.
2. Make sure the RAC6181 Computer sealing gasket is properly positioned on the terminal. This gasket forms a compression type seal, do not use sealing compounds.
3. Place the RAC6181 Computer in the panel cutout.
4. Install the mounting clips. The mounting clips slide into the six slots on the top and bottom of the RAC6181 Computer.



5. Gradually tighten the clips one at a time around the bezel using the specified sequence. Repeat this process at least three times until the clips are hand-tight and the gasket is compressed uniformly against the panel.
6. Tighten mounting clips to a torque of 10 in-lbs (1.1 N•m) in the sequence shown above. **Do not over-tighten.**



ATTENTION: Tighten mounting clips to a torque of 10 in-lbs (1.1 N•m) to provide a proper seal and prevent damage to the RAC6181 Computer. Rockwell Automation assumes no responsibility for water or chemical damage to the terminal or other equipment within the enclosure because of improper installation.

Connecting Equipment in Hazardous Locations

Specific configurations of the RAC6181 Computer are certified for Class I, Division 2, Groups A, B, C, D, T4A temperature code, hazardous areas. When installing the RAC6181 Computer in a hazardous location, note the following safety considerations:

Installation Wiring

See the nameplate label on the computer for certifications on hazardous locations.



ATTENTION: In Class I, Div 2 hazardous locations, the RAC6181 Industrial Computer must be wired per the National Electric Code and/or Canadian Electric Code as it applies to hazardous locations.

Connecting and Disconnecting Equipment

When installing the RAC6181 Computer, note the following safety considerations:



ATTENTION: EXPLOSION HAZARD! Do not connect or disconnect equipment while circuit is live unless area is known to be non-hazardous.

Note: Do not connect or disconnect RAC6181 Computer connections in the presence of possible hazardous materials. Making or breaking these connections may cause a spark.

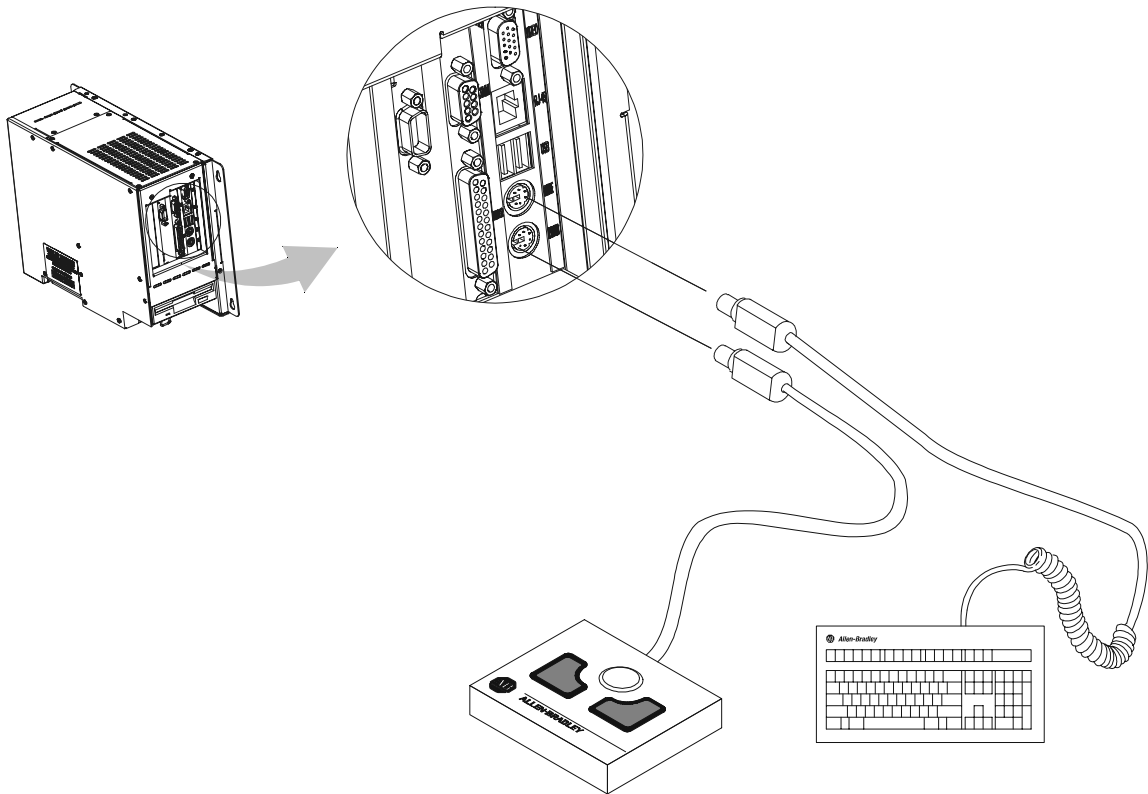
Peripheral Devices



ATTENTION: Peripheral devices attached to the RAC6181 Computer should not be operated in the presence of possible hazardous materials, unless that specific device is rated for Class I, Div 2 environments. Example devices are external keyboard, external mouse products, and external removable media drives.

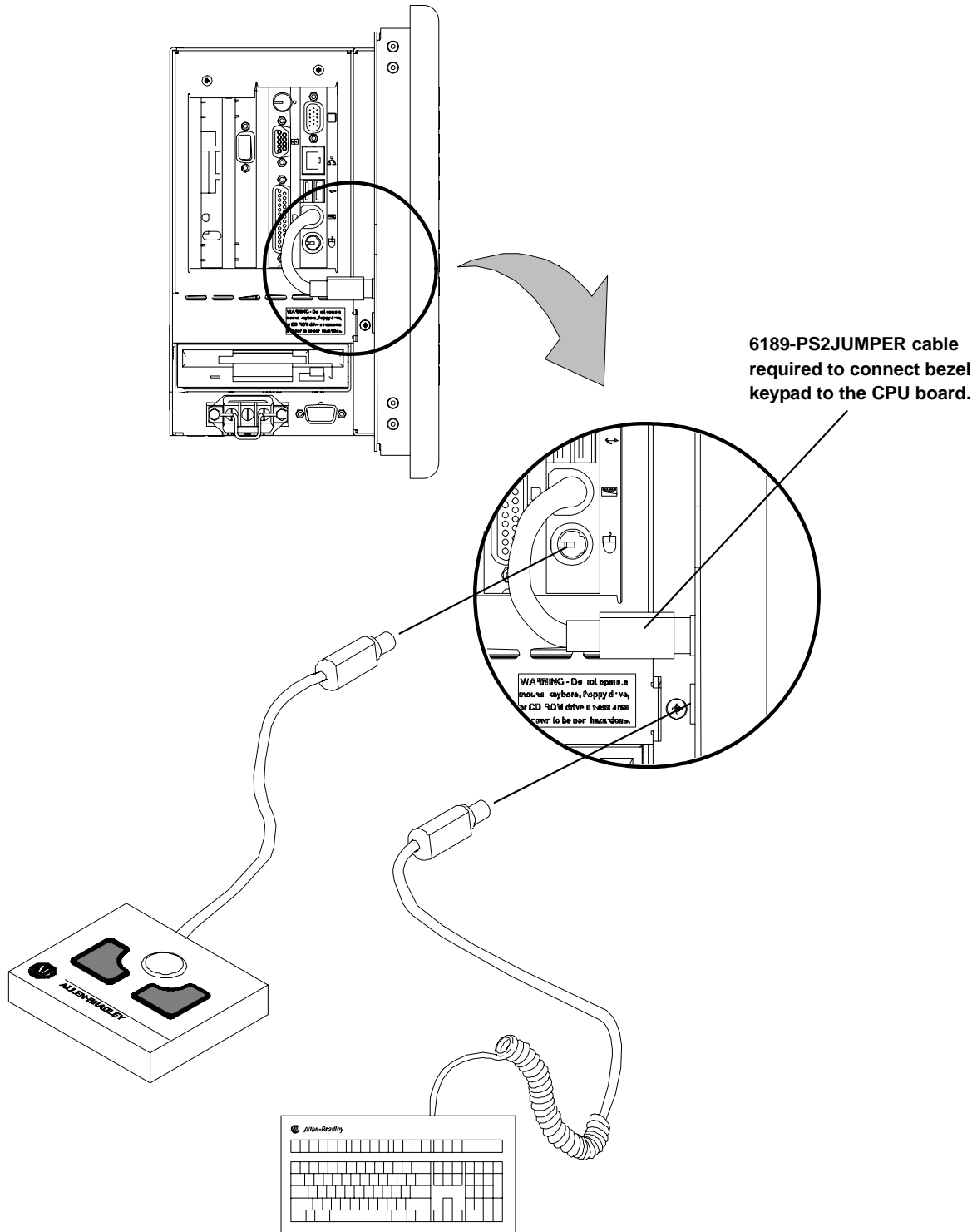
Connecting a Mouse & Keyboard (Side Panel)

The mouse and keyboard plug into the side panel mouse and keyboard ports as shown below.



Connecting a Mouse & Keyboard (12.1 in. keypad version)

The 12.1 in. front keypad is jumpered to the CPU board keyboard port. An external keyboard can be connected and used as shown below. When connected as shown below, both the front keypad and the external keyboard can be used simultaneously. Make sure this does not cause any unsafe operating conditions.



AC Power Connections

A standard IEC 320 power cord provides power to the RAC6181 Computer AC version. The power supply input will accept 120/240V AC. The power supply is autoswitching.



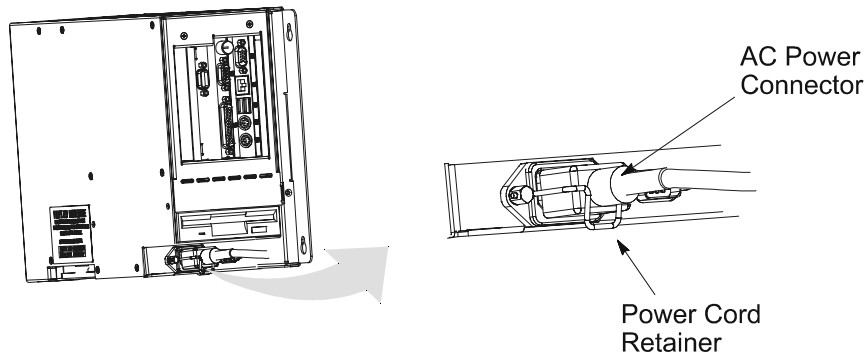
ATTENTION: The power cord must be connected to an outlet having an earth ground (three-prong outlet). Failure to follow this warning could result in severe electrical shock.

Use the power cord retainer to prevent accidental interruption of power to the RAC6181 Computer. Pull the cord retainer over the cord plug as shown below.



ATTENTION: EXPLOSION HAZARD! You must install the power cord retainer clip to ensure safety in hazardous locations.

Failure to secure the power cord with the retainer clip could result in hazardous conditions if the power cord is accidentally disconnected.

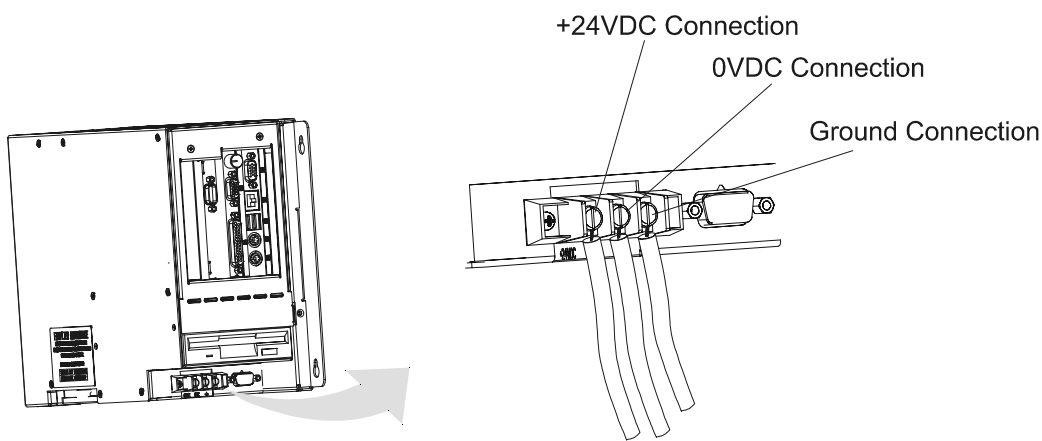


DC Power Connections

A standard three position terminal block is provided for connecting power. Use 12 or 14 AWG stranded wire to connect these terminals to a stable source of 24V DC power with 10A minimum rating available. Observe proper polarity and keep the wiring as short as possible (recommend less than 3 meters). Ensure that the wires are connected correctly using standard wiring practices. Twist the wires 1-3 twists per inch.



ATTENTION: The ground connection must be made to an adequate earth ground using as short a wire as possible to eliminate the possibility of radio frequency noise and interference.



Network Connections

The RAC6181 Computer accommodates CAT5 twisted pair Ethernet cabling with RJ45 connectors to support 100 Mbps network data transfer.

Important: Performance degradation of your Ethernet communications is likely to result if the unit or cables are subjected to extreme radiated or conducted high-frequency noise. It is the user's responsibility to properly route cables and condition input power in order to improve communication reliability.

Proper cable routing and power conditioning is required to ensure reliable Ethernet communications in industrial environments. Rockwell Automation recommends that all Ethernet cabling be routed through dedicated metal conduits. Installing ferrite bead filters at cable ends may also improve reliability.

Initial Operation and Setup

Chapter Objective

This chapter provides information on:

- operating recommendations
- boot-up sequence
- system reset and Power On Self Test (POST)
- Universal Serial Bus (USB)
- Windows NT networking
- Windows 2000 touchscreen driver installation

Operating Recommendations

We recommend the following operating guidelines for the RAC6181 Computer:

- Avoid turning the system on and off frequently.
- Never turn the system off when the hard drive indicator light is illuminated.
- Always use the proper power down procedures as required by your operating system, such as the Shut Down command in Microsoft® Windows.
- Do not turn off the computer until a message appears telling you that it is safe to do so.
- Do not operate the RAC6181 Computer with covers removed. An electrical shock hazard exists. In addition, removing the covers will disrupt air flow and may result in overheating. All covers are required to maintain EMI shield.



ATTENTION: After shutting the system off, do not move the computer or turn it back on again until the hard drive has come to a complete stop (takes about 30 seconds).

If you are using an external monitor, turn on the monitor first.

Operator Access

Operator access is limited to the front panel of the RAC6181 Computer. This includes the display and touchscreen. Access to components behind the rack or panel that the RAC6181 Computer is installed in is restricted to authorized and properly trained personnel.

System Checkout

To boot up the system:

1. Apply power to the computer. The RAC6181 Computer performs a Power On Self Test (POST) in which it tests the processor board, memory, keyboard, and certain peripheral devices.
2. The RAC6181 Computer displays the progress of the POST and initialization of accessory devices.
3. If your system does not boot up, or you notice other problems, refer to Chapter 11, System Troubleshooting.
4. The RAC6181 Computer will then display the startup dialogs for the operating system that has been installed. If no software is installed, the following prompt is displayed:

```
Insert bootable media in the appropriate
drive.
```

System Reset

To reset the RAC6181 Computer, press [Ctrl] [Alt] [Delete] on an attached keyboard and follow the operating system instructions.

After resetting, the RAC6181 Computer will begin the Power On Self Test (POST). During reset, the RAC6181 Computer:

- clears RAM
- starts the POST
- initializes peripheral devices, such as drives and printers
- loads the operating system (if installed)

Driver Installation

The RAC6181 Computer operating system usually selects the best device driver settings. However, you may want to ensure fully optimized performance by manually installing the device drivers included with your system. Refer to the Readme files on the software CD enclosed with your RAC6181 Computer for details on the latest device drivers and installation procedures.

Using USB

The RAC6181 Computer has two USB connectors.

The Universal Serial Bus (USB) is an external bus standard that supports data transfer rates of 12Mbps (12 million bits per second). A single USB port can connect multiple peripheral devices, such as mice, modems, and keyboards. USB also supports Plug-and-Play installation and hot plugging.

For more information on installing or using USB, refer to the documentation for your USB peripheral device.

Note: Many USB devices only work with Windows 98 or Windows 2000, because these operating systems have native USB drivers. Make sure the selected USB peripheral has software drivers available for your target operating system.

Installing Windows NT Networking

Networking can be installed during the initial Windows NT Workstation Setup by choosing "This computer will participate on a network", or networking can be installed at a later time by running the Network tool in Control Panel. Use the following guide:

1. When prompted for the network adapter, click the "Select from list..." button.
2. On the Select Network Adapter dialog, click the "Have disk..." button.
3. Insert the Ethernet Driver floppy disk (shipped with your RAC6181) into the floppy drive and click OK.
4. For 6181 Pentium and AMD versions:
On the Select OEM Option dialog, select "Intel® PRO Adapter" and click OK.

For Pentium III versions:
Select "Intel PRO VE Adapter" and click OK.
5. Click Next to continue. Select the Protocols and Services that are suitable to your specific networking and application needs.
6. When prompted for the location of Windows NT files, enter the path **c:\sources\i386**.
7. Before networking can be used the system must be restarted.

If networking is installed by running the Network tool in Control Panel, the current Operating System Service Pack should be re-installed.

Initial Startup and Service Packs

The initial system startup begins with the NT operating system at Service Pack 1, and enters Window NT Workstation Setup. During setup, the system is built, the drivers and applications are installed, user information is gathered via the start-up dialogs. At the end of setup, the current Service Pack is automatically installed and is visible when the system is restarted.

Installing device drivers alters the system and the current service pack should be re-installed by running the update tool. For example, if the current Service Pack is SP4, the update tool is
c:\sources\SP4\i386\update\update.exe.

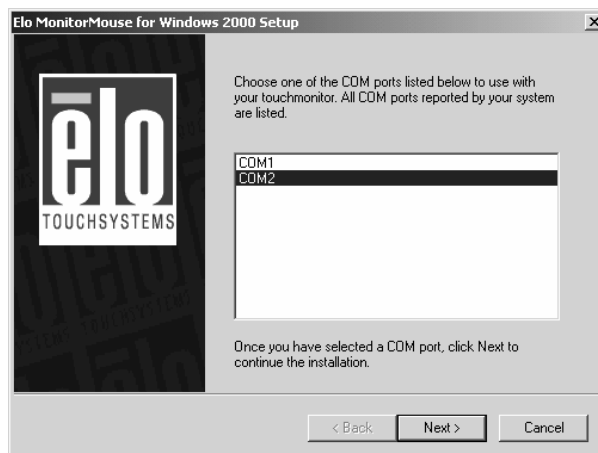
Installing a RAC6181 Computer Touchscreen Driver

The 6181 display-only computers require an EloTouch Systems touch screen driver. The 6181 12.1 inch keypad bezel computers use a Touchko touch screen application.

EloTouch Systems Drivers

The touch screen drivers for the EloTouch Systems touchscreen are not pre-installed for Windows 2000. The first time you apply power to the 6181 Computer, you must complete the following steps to finish the touchscreen driver installation.

1. When you log on to Windows 2000 for the first time after completing the 6181 power-up, follow the prompts that are displayed to install the touchscreen driver.
2. When the touchscreen installation procedure displays the following screen, select COM2. The 6181 touchscreen is internally connected to the COM2 port on the CPU card.



Touchko Touch Screen Application

The 6181 12.1 inch keypad bezel computer uses a Touchko WIN32 touchscreen application instead of an operating system driver. This means the touchscreen is not active until after the operating system is completely booted.

This application is factory configured to automatically start during the operating system boot. It is placed in the appropriate start-up folder for the Windows operating system.

If you have to reinstall the operating system, follow the instructions below to install the Touchko driver so that the touchscreen is activated when Windows starts.

1. Create a folder in Windows. This folder can be located anywhere on the hard disk. The folder should be called "Touch" or some other name that will be easily identifiable as the Touchko folder.
2. Copy the Touchko program into the folder.
3. Execute the Touchko program and step through the configuration and calibration steps. When finished, a .DAT file is created that contains the configuration and calibration information. This file is then stored in the directory with the Touchko program.
4. Copy a shortcut of the Touchko file into the Windows start-up directory. Each version of Windows locates the start-up folder in different locations. See the Windows help files to find the location of the start-up folder for the version of Windows you are running.
5. After the shortcut is placed in the startup folder, reboot the computer. When Windows boots, the Touchko program will execute using the .DAT file that was created in Step 3 and your touchscreen should be working.

If after following the steps listed above, the touchscreen does not startup when your computer boots, check to see that:

1. The Touchko program and the .DAT file are in the directory you created
2. The shortcut is in the proper startup folder
3. The shortcut correctly points to the directory where the Touchko program and .DAT file resides.

If the touchscreen still does not startup when Windows boots, call Tech Support.

Adding/Removing System Components

Chapter Objectives

This chapter describes how to remove and install:

- back cover and top cover
- add-in cards
- CPU card

Note:

Instructions for removing and installing additional components are included in additional chapters of this manual:

- Chapter 5, Installing/Removing the Power Supply
- Chapter 6, Installing/Removing the Hard Drive, Floppy Drive, or Expansion Bay
- Chapter 8, Installing/Removing Memory Modules

Safety Precautions

The RAC6181 Computer contains line voltages. Make sure you disconnect all power to the RAC6181 Computer before performing any of the operations described in this chapter.



ATTENTION: Disconnect all power from the RAC6181 Computer before removing components. Failure to disconnect power could result in severe electrical shock or damage to the RAC6181 Computer.

Internal RAC6181 Computer components may be damaged by Electrostatic Discharge (ESD). Make sure you wear a grounding strap whenever handling circuit boards, memory modules or other internal components.



ATTENTION: Wear a wrist strap (well grounded) and perform work in a static safe environment.

Electrostatic discharge can damage the RAC6181 Computer and components.

Hazardous Locations

Specific configurations of the RAC6181 Computer are certified for Class I, Division 2, Groups A, B, C, D, T4A temperature code, hazardous areas. If you are using the RAC6181 in a hazardous location, review the following safety considerations:



ATTENTION: EXPLOSION HAZARD! Do not connect or disconnect equipment while circuit is live unless area is known to be non-hazardous.

Note: Do not connect or disconnect RAC6181 Computer connections in the presence of possible hazardous materials. Making or breaking these connections may cause a spark.



ATTENTION: EXPLOSION HAZARD! Substitution of components may impair suitability for Class I, Div 2 hazardous locations.



ATTENTION: The RAC6181 Series B computer is only certified for Class I, Div 2 environments in factory-shipped configurations. Adding PC cards or changing the factory-shipped configuration will nullify this certification.

Thermal Considerations for Add-In Cards (2-Slot and 4-Slot Chassis)

The RAC6181 2-Slot and 4-Slot Computers accommodate up to two or four additional ISA/PCI compatible add-in cards. Due to thermal considerations with the unit, total add-in power is limited to 15W of power dissipation (within the product enclosure).

Removing the Back Cover and Top Cover

This section shows how to remove the back cover and top cover to access internal components.

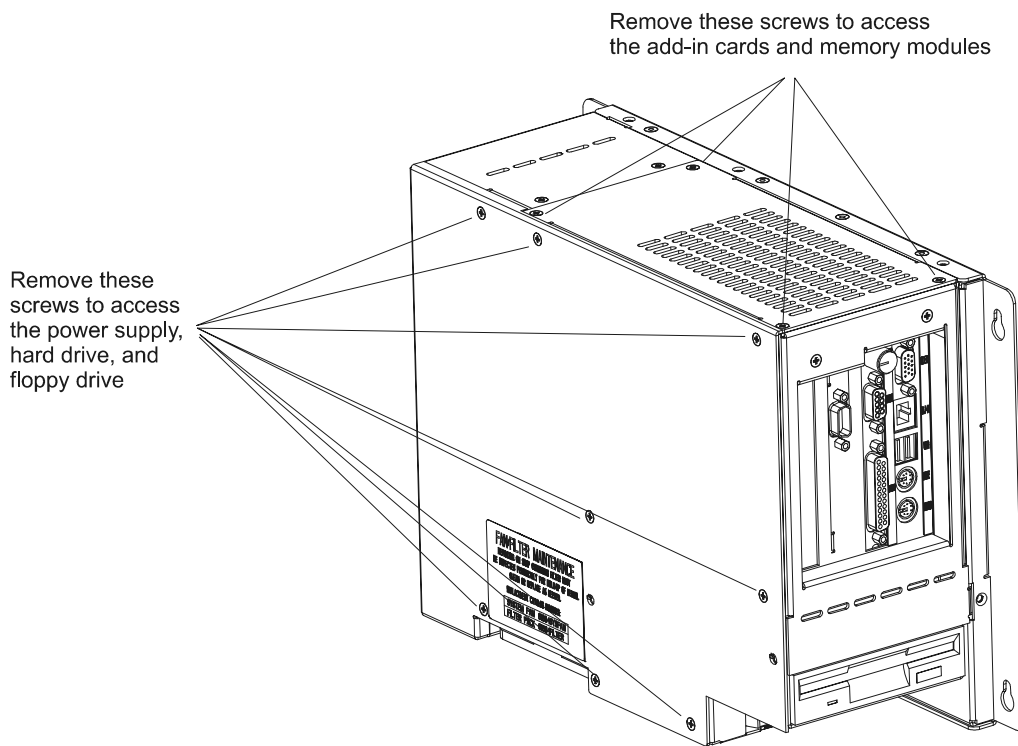
Note: The 2-slot chassis is used in the following diagrams. Similar procedures apply to the 4-slot chassis.



ATTENTION: Review safety precautions on Page 4-1 before proceeding. Failure to follow proper safety procedures could result in severe electrical shock or damage to the RAC6181 Computer.

To remove the back cover or top cover:

1. Disconnect power from the RAC6181 Computer.
2. Loosen the 8 screws securing the back cover and loosen the 4 screws securing the top cover. The 4-slot chassis has thumbscrews on the top cover.



Note: If the unit is equipped with the optional expansion bay, only 7 screws secure the back cover. There are also cables connecting the drive in the expansion bay to the CPU card inside the unit. You may set the back cover aside without disconnecting the cables. Refer to Chapter 6 for more information on installing or removing the expansion bay.

3. To re-install the back cover, position the back cover over the chassis and tighten the screws. Align the two pins on the inside of the back cover that secure the hard drive bay.



ATTENTION: Be careful not to push the vibration dampers (grommets) on the drive bay out of the sheet metal.

Note:

If the unit is equipped with the optional expansion bay, ensure that the cables connecting the drive to the CPU card are positioned correctly.

Position the cables so that:

- They do not obstruct the airflow around the internal fan.
- They are not pinched when you replace the back cover.

4. To re-install the top cover, position the top cover over the chassis and tighten the screws.

Adding/Removing CPU and Add-in Cards

ISA compatible boards may be installed in the ISA slot or ISA/PCI shared slot. PCI compatible boards may be installed in either the PCI slot(s) or the ISA/PCI shared slot.



ATTENTION: Review safety precautions and information on thermal considerations for add-in cards on Page 4-1 before proceeding.

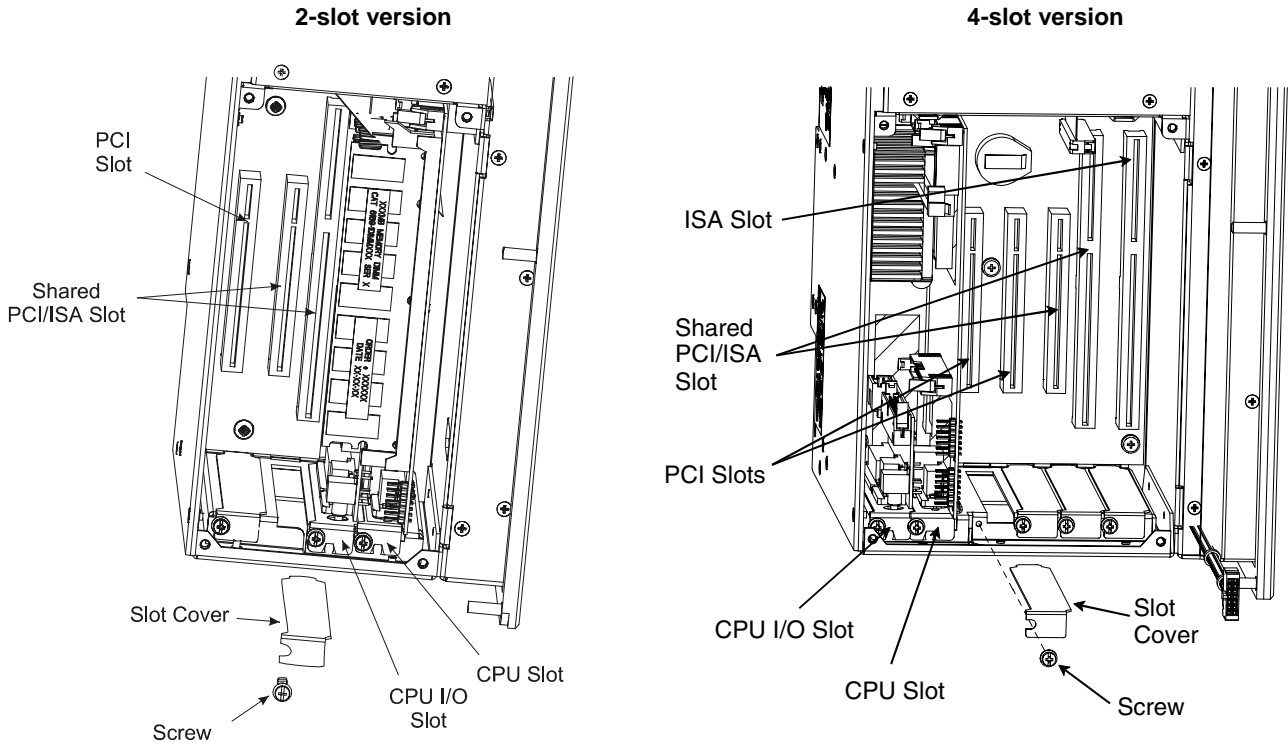
Failure to follow proper safety procedures could result in severe electrical shock or damage to the RAC6181 Computer.



ATTENTION: Add-in boards may be sensitive to ESD and require careful handling. Hold boards only by the edges--do not touch connectors, components or circuits. After removing a board, place the board on a flat static free surface, component side up. Do not slide the board over any surface.

To remove a slot cover (to add a board):

1. Remove the top cover. See Page 4-3.
2. Locate the slot cover you want to remove.
3. Remove the screw securing the slot cover and remove the cover.

**To install a slot cover (after removing a card):**

1. Insert the end of the cover into the slot in the chassis.
2. Install the screw securing the slot cover, tighten to 0.7 - 0.9 N-m (6-8 in-lbs.)

To install a CPU or add-in card:

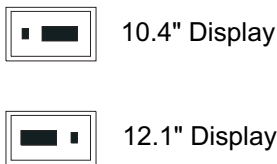
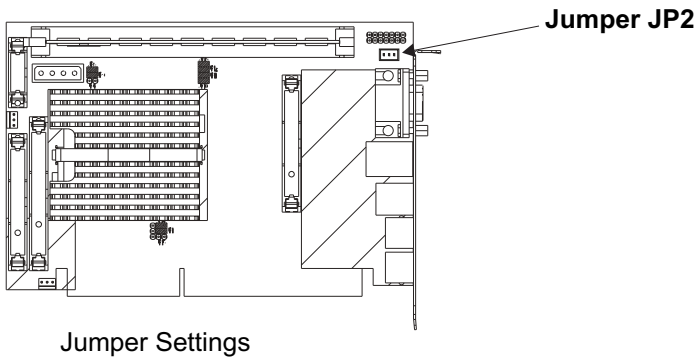
1. Remove the board from its anti-static packaging and place on a grounded, static free surface.
2. Set any board jumpers or switches as described in the instructions for the board.

Note: If you are replacing the CPU card, make careful note of the cables attached to the existing CPU card so that you can reconnect the cabling to the new card.

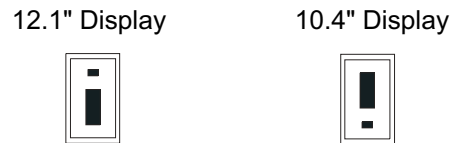
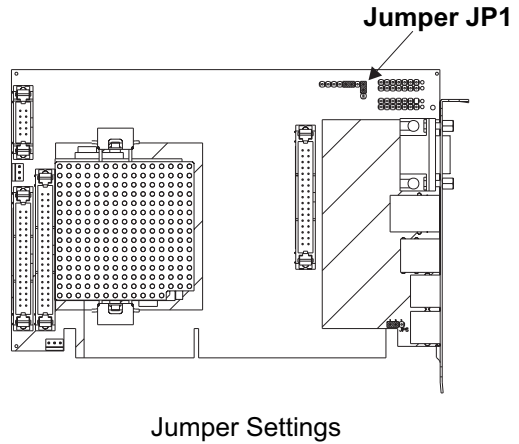


ATTENTION: The Pentium and Pentium III CPU cards each contain a video jumper setting specific to each version of the RAC6181 Computer with a display. If this jumper is set incorrectly, the RAC6181 video circuitry may be damaged.

Pentium CPU Card



Pentium III CPU Card

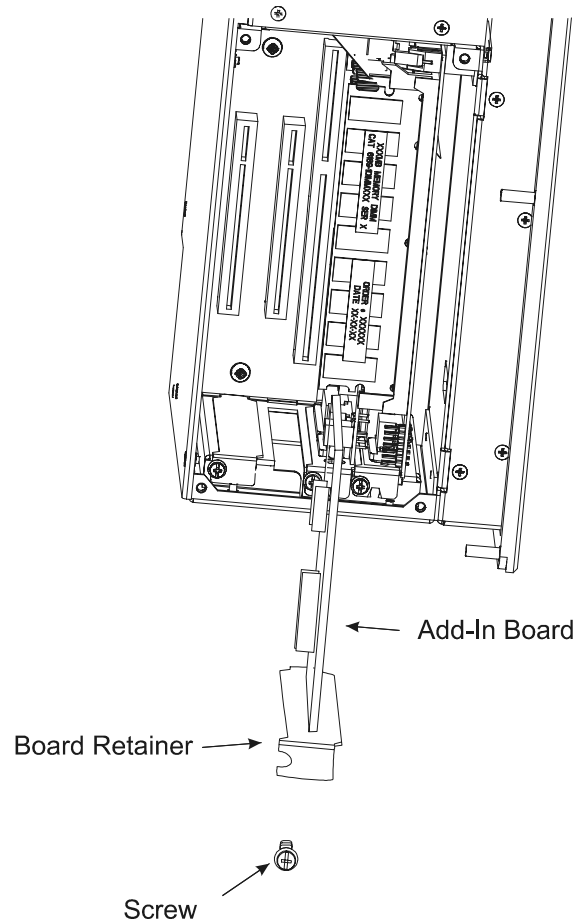


Note: For non-display units, this jumper can be set to either setting.



ATTENTION: If you have a 2-slot RAC6181 Computer and you are installing a Pentium III CPU, you must install SODIMM memory modules before placing the CPU card into the slot. For instructions about how to remove and install memory modules, see Chapter 8, Installing/Removing Memory Modules.

3. Hold the board by the edges and firmly press the board into the connector on the processor board.



Note: Be careful not to disturb the air flow director. It is required to keep the CPU cool. The flow director for the 2-slot chassis should be routed behind the two add-in card slots and extend alongside the CPU heat sink.

4. Align the notch in the board retainer with the threaded hole and install the screw. Hold the notch tightly against the screw before tightening.

Note: If you do not install the retainer tight against the screw, you may have problems inserting an adjacent board.

5. Connect any board cables (if required).
6. Install the top cover. See Page 4-3.

To remove a CPU or add-in card:

1. Remove the screw securing the board retainer.
2. Hold the board at each end and carefully rock the board back and forth until the edge connectors pull free.

Note: When removing the CPU card:

- Carefully remove all connecting wiring. Make notes of the location of all connectors to ensure that you can properly reconnect the wiring.
3. Store the board in an anti-static wrapper.
 4. Remove any unused cable associated with the board.
 5. Install a slot cover over the open slot.

Installing/Removing the Power Supply

Chapter Objective

This chapter provides instructions on how to remove or install a RAC6181 Industrial Computer power supply (AC or DC version). Removing the power supply involves the following procedures:

- Disconnecting the cables from six devices that are connected to the existing power supply (this requires partially removing the CPU card).
- Removing the power supply unit
- Disconnecting the touchscreen interface board (if installed) from the exterior of the power supply.
- Securing the touchscreen interface board (if installed) to the exterior of the new power supply
- Inserting the power supply into the bay
- Reconnecting the connectors

Safety Precautions

Internal components may be damaged by Electrostatic Discharge (ESD). Make sure you wear a grounding strap whenever handling circuit boards, power supply, memory modules or other internal components.



ATTENTION: Wear a wrist strap (well grounded) and perform work in a static safe environment.

Electrostatic discharge can damage the RAC6181 Computer and components.

Also observe the following precautions:

- Avoid touching the cable connectors.
- Always handle the power supply by its metal frame.

Installing/Removing a Power Supply

The power supply for the RAC6181 Industrial Computer accepts an input power and provides regulated lower voltages required for all internal components such as the processor board, card connectors, and chassis fan.

The RAC6181 Computer has the following power supply options:

- AC power version with a 120/240V AC power supply.
- DC power version with an 18-32 V DC power supply.



ATTENTION: Review safety precautions before proceeding. Failure to follow proper safety procedures could result in severe electrical shock or damage to the RAC6181 Computer.

To remove the power supply (AC and DC option):

1. Disconnect power from the RAC6181 Computer.
2. Remove the back cover and the top cover.

Refer to procedures in Chapter 4 for details on removing the back cover and top cover.

Important: You must take note of the location of all connectors before you remove the existing power supply and cabling, so that you can attach the wires from the new power supply.

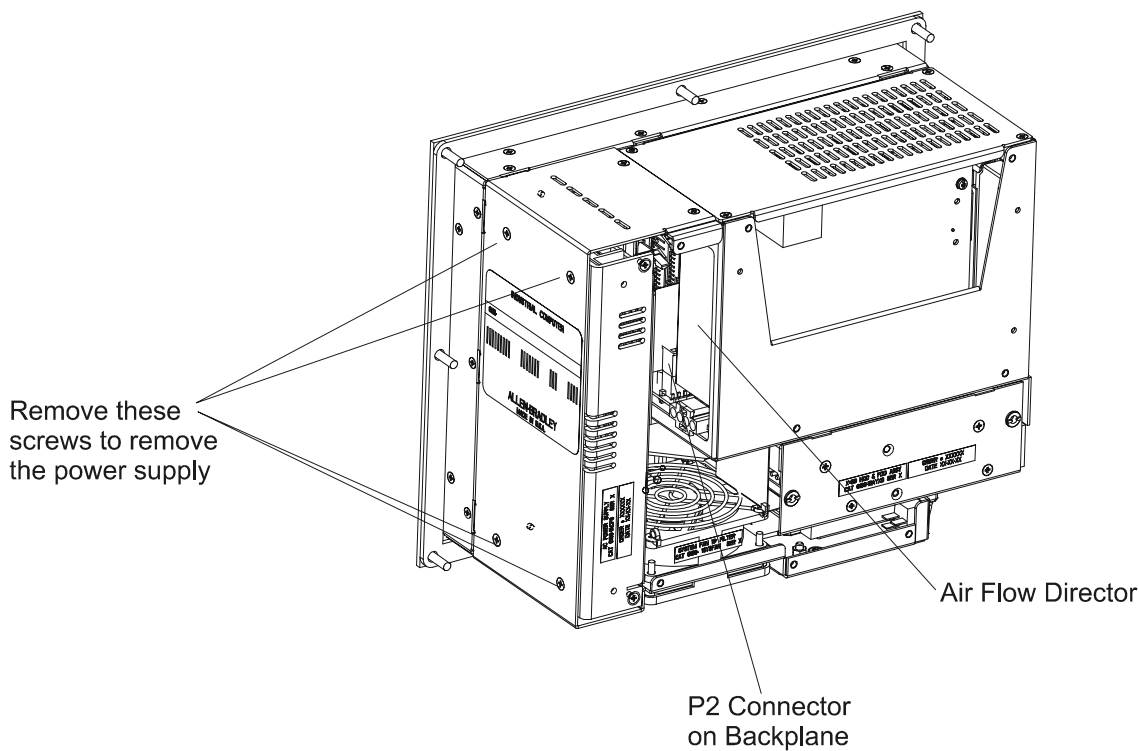
Do not disconnect the wiring from the power supply itself unless specified. The replacement power supply comes with cabling attached.

3. Follow the wires as they exit the top (output side) of the power supply and disconnect the wiring at the connectors of the other components (i.e., CPU card, backplane, drives, etc.).

Pull on the connector to remove it: do not pull on the wires. Some connectors have a mechanical latch that must be disengaged before disconnecting. Make sure you adequately note the location of each connector.

Note: In order to access the large 14-pin connector (P2) on the 2-slot backplane, you must remove the top cover and partially remove the CPU card and I/O card. Refer to procedures in Chapter 4 for details on removing cards.

4. Remove the 4 mounting screws that secure the power supply (2-slot chassis shown below).



5. Remove the power supply.
6. Disconnect the cables that connect the power supply to the input terminal strip:
 - **With the AC option**, disconnect the cables from the bottom of the power supply.
 - **With the DC option**, disconnect the red and black cables from the input terminal strip itself. Cut the tie strips that secure these cables around the fan.

To install the power supply (AC option):

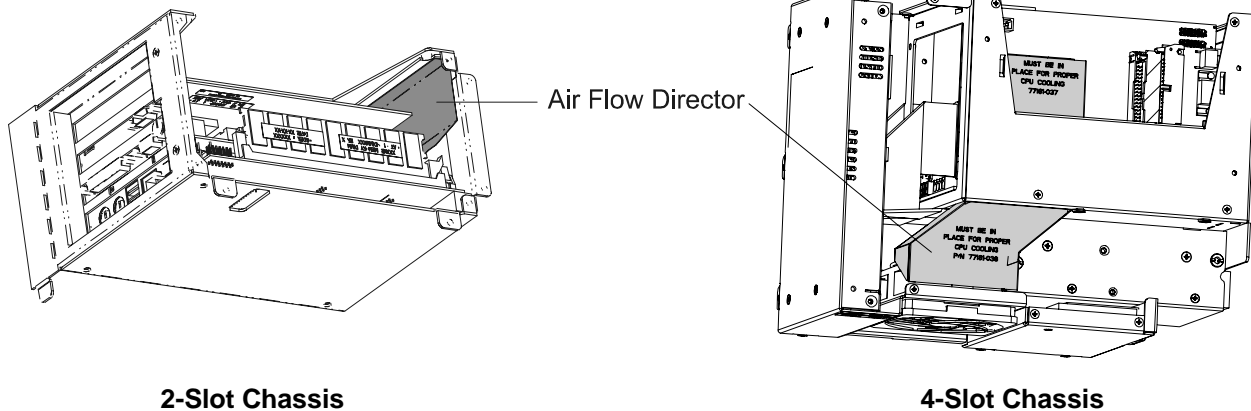


ATTENTION: Risk of Electrical Shock. Do not use screws exceeding 6.35mm (0.25 inches). Screws that are longer than recommended may come in contact with voltage sources within the power supply.

1. Connect the input cables to the bottom of the power supply.
 2. Position the power supply in the chassis and secure with the 4 mounting screws. Torque screws to 0.7 to 0.9 N-m (6-8 in-lbs).
 3. Connect the power supply cable connectors to the processor board and other internal components. The connectors are keyed so they cannot be installed the wrong way, do not force connectors.
 4. Reinstall the CPU and any add-in cards you removed. Refer to procedures in Chapter 4 for details on how to install add-in cards.
-



ATTENTION: Make sure the air flow director is properly positioned. Failure to correctly install the flow director may result in excessive temperatures that can damage the RAC6181 Computer.



5. Install the back and top cover.
-

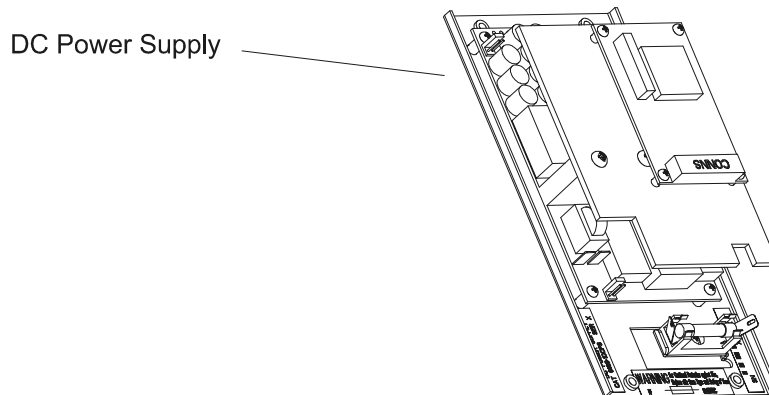


ATTENTION: Carefully engage the pins on the back cover and be careful not to push the vibration dampers (grommets) on the drive bay out of the sheet metal.

To install the power supply (DC option):

1. Connect the two cables from the bottom of the power supply and fuse assembly to the appropriate connectors on the input terminal strip.

The red cable connects to +24V DC terminal. The black cable connects to the 0V DC middle terminal. (For an illustration of the DC power connection, refer to Page 2-19.)

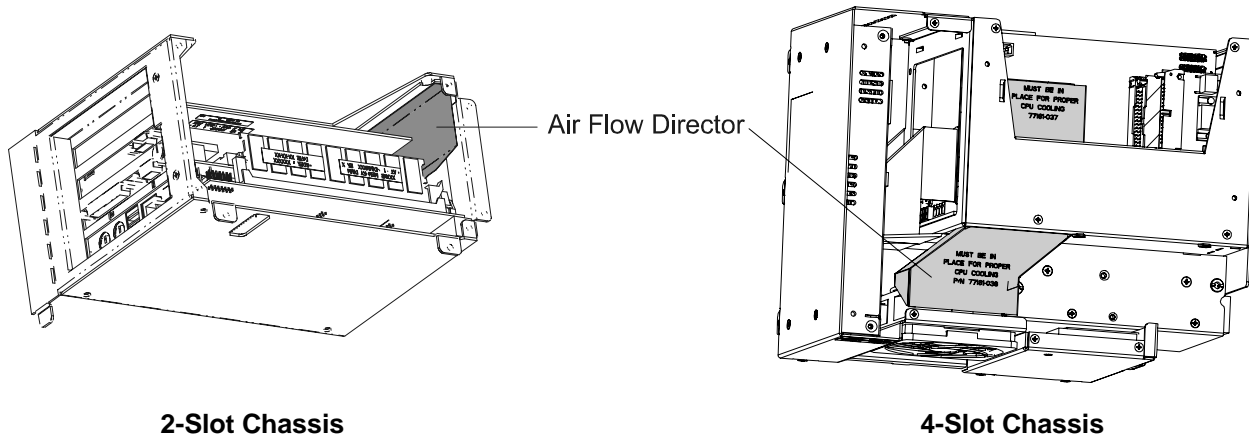


2. Using the supplied tie strips, secure the cables from the terminal strip around the base of the fan.
3. Position the power supply in the chassis and secure it with the 4 mounting screws. Torque screws to 0.7 to 0.9 N-m (6-8 in-lbs).

4. Connect the power supply cable connectors to the processor board and other internal components. The connectors are keyed so they cannot be installed the wrong way, do not force connectors.



ATTENTION: Make sure the air flow director is properly positioned. Failure to correctly install the flow director may result in excessive temperatures that can damage the RAC6181 Computer.



2-Slot Chassis

4-Slot Chassis

5. Install the back and top cover.



ATTENTION: Carefully engage the pins on the back cover and be careful not to push the vibration dampers (grommets) on the drive bay out of the sheet metal.

Installing/Removing the Hard Drive, Floppy Drive, or Expansion Bay

Chapter Objective

This chapter describes how to install or remove the floppy drive and a hard disk from the RAC6181 Industrial Computer and how to install or remove the optional expansion bay.

Available Drives

The RAC6181 Computer supports the following disk drives:

Disk Drive	Catalog No.
Standard EIDE 3.5" hard disk	6189-HD300
Large EIDE 3.5" hard disk	6189-HD600
1.44 Mbyte floppy diskette drive	6189-FD144

Safety Precautions

When installing or removing a disk drive from the RAC6181 Computer, internal components may be damaged by electrostatic discharge (ESD). Make sure you wear a grounding strap whenever handling circuit boards, memory modules or other internal components.



ATTENTION: Wear a wrist strap (well grounded) and perform work in a static safe environment. Electrostatic discharge can damage the RAC6181 Computer and components.

Observe the following precautions:

- Always handle the drive by its metal frame.
- Store a drive in an anti-static bag when it is not installed.
- Avoid touching the cable connectors.
- Never disconnect or connect a drive with power turned on.



ATTENTION: Mechanical shock will damage a drive. **Do not drop or bump the drive.**

Installing/Removing a Hard Drive or Floppy Drive

These instructions describe how to remove the drive bay and replace the hard drive or floppy drive.

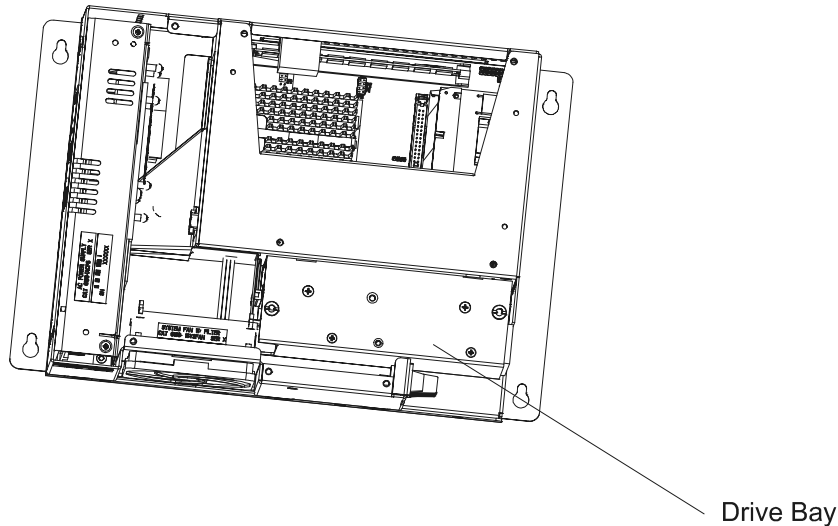
To remove the drive bay:

1. Disconnect power from the RAC6181 Computer.



ATTENTION: Disconnect all power from the RAC6181 Computer before adding or removing components. Failure to disconnect power could result in severe electrical shock or damage to the RAC6181 Computer.

2. Remove the back cover of the RAC6181 Computer. Refer to procedures in Chapter 4 for details on how to remove the back cover.
3. Remove the drive bay.
4. Disconnect the ribbon cable connector and the power connector from the hard drive and floppy drive.
5. Remove the hard drive from the drive bay (4 screws).

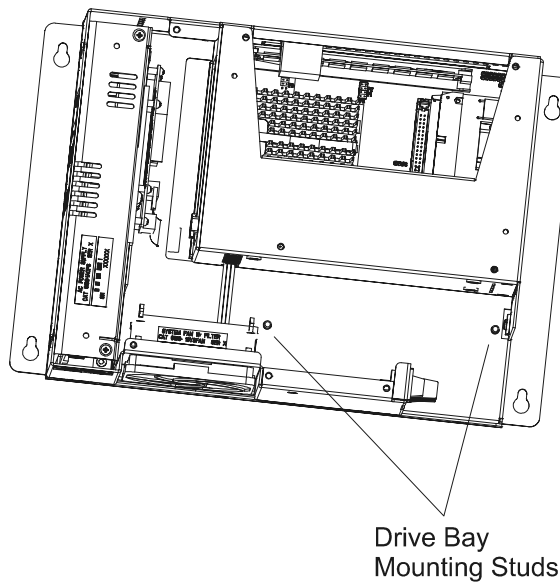


To install the drive:

1. Install the hard drive in the drive bay (4 screws)
2. Connect the ribbon cable connector and power cables to the hard drive and floppy drive.

Note: Make sure that the ribbon cable is installed correctly. The connector must be positioned so that the red wire of the cable is closest to the back of the unit.

3. Position the drive bay into the chassis so that the studs on the chassis fit into the grommets on the drive bay.



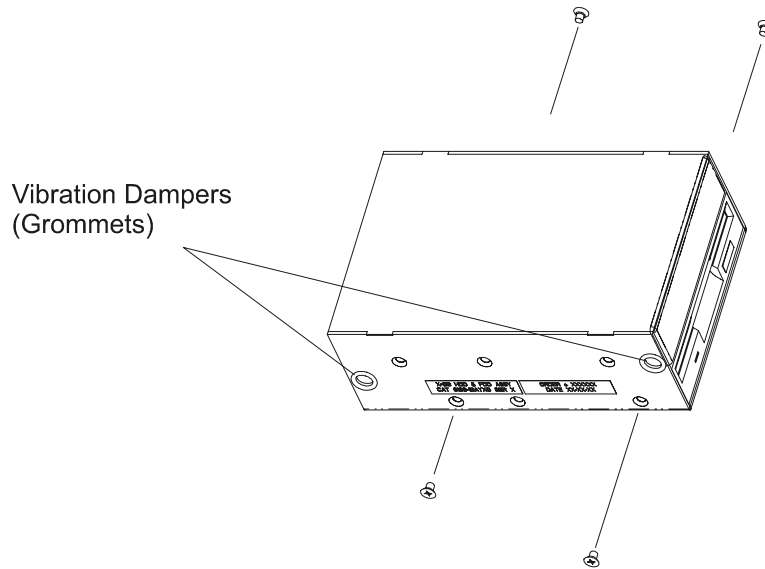
ATTENTION: Be careful not to push the vibration dampers (grommets) on the drive bay out of the sheet metal.

4. Install the back cover.
5. Apply power and verify the operation of the drive. Refer to any additional instructions provided with the drive.

Replacing the floppy drive in the hard drive bay:

1. Perform the steps to disconnect and remove the hard drive bay on Page 6-2.
2. Remove the four floppy drive mounting screws, loosen the hard drive mounting screws, and slide the drive from the drive bay.

Note: The floppy drive and hard drive screws require different tool bits.



3. Insert the floppy drive into the drive bay and secure the drive to the bay with the four mounting screws. Tighten all eight mounting screws to a torque of 0.7 to 0.9 N-m (6-8 in-lbs).
4. Replace the drive bay using the instructions on Page 6-3.

Installing/Removing an Expansion Bay

These instructions describe how to install the optional 5.25-in. drive expansion bay (6189-1EXPBAY) on the RAC6181 Computer. The expansion bay can be used to house additional components such as a DVD-ROM or Read/Write CD-ROM drive.

Installing the expansion bay involves the following procedures:

- Removing the existing back cover
- Exchanging the IDE ribbon cable used for the existing hard drive with the new cable supplied with the expansion bay option
- Installing the drive in the expansion bay
- Installing the expansion bay as the new back cover

To exchange the hard drive and floppy drive cables:

1. Disconnect power from the RAC6181 Computer.

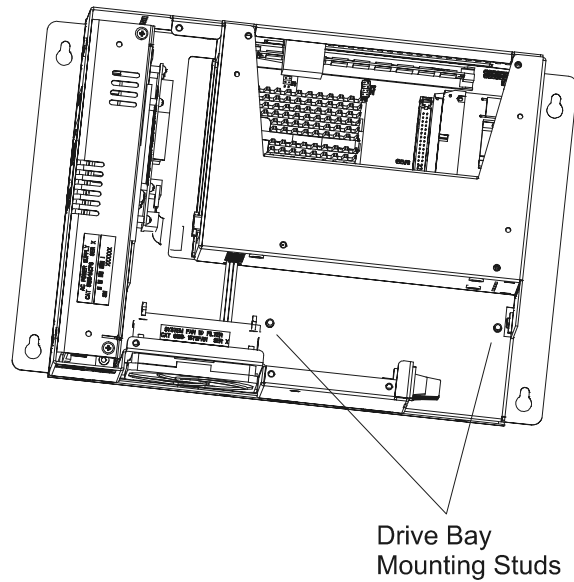


ATTENTION: Disconnect all power from the RAC6181 Computer before adding or removing components. Failure to disconnect power could result in severe electrical shock or damage to the RAC6181 Computer.

2. Remove the back cover and top cover of the RAC6181 Computer. Refer to procedures in Chapter 4 for details on how to remove the back cover and top cover.
3. Partially remove the CPU card, I/O card, and any add-in boards so that you can access the IDE connector that connects to the hard drive and floppy drive. Refer to procedures in Chapter 4 for details on removing add-in cards.
4. Disconnect the IDE ribbon cable from the CPU card that leads to the hard drive and floppy drive and connect the replacement IDE ribbon cable.
5. Remove the drive bay.
6. Disconnect the ribbon cable from the hard drive and floppy drive and connect the replacement ribbon cable. The middle connector attaches to the hard drive.

Note: Make sure that the ribbon cable is installed correctly. The connector must be positioned so that the red wire of the cable is closest to the back of the unit.

7. Disconnect the existing power cable attached to the hard drive.
8. Connect the power cable to the appropriate connector of the Y-shaped power cable provided with the expansion bay kit. Connect the other connector to the hard drive.
9. Leave hard drive jumper in default setting (Master).
10. Position the drive bay into the chassis so that the studs on the chassis fit into the grommets on the drive bay.



ATTENTION: Be careful not to push the vibration dampers (grommets) on the drive bay out of the sheet metal.

11. Reinstall the CPU card and any add-in boards and replace the top cover.

To install the drive in the expansion bay:

1. Feed the power cable and ribbon cable through the slot on the bottom of the expansion bay.
2. Connect the power cable and ribbon cable to the expansion drive.

Note: If you are installing a CD-ROM drive, ensure that the jumper setting on the CD-ROM drive is set to "Slave."

3. Secure the drive to the expansion bay using the four screws provided.

To install the expansion bay on the RAC6181 Computer:

1. Position the ribbon cable and power cable inside the unit to ensure that:
 - The cables do not obstruct the air flow around the internal fan.
 - The cables will not be pinched when you secure the expansion bay cover to the unit.
2. Secure the expansion bay to the back of the RAC6181 Computer using seven of the screws from the original cover.



ATTENTION: Be careful not to push the vibration dampers (grommets) on the drive bay out of the sheet metal.

3. Apply power and verify the operation of the drive. Refer to any additional instructions provided with the drive.

To remove the expansion bay:

1. Disconnect power from the RAC6181 Computer.



ATTENTION: Disconnect all power from the RAC6181 Computer before adding or removing components. Failure to disconnect power could result in severe electrical shock or damage to the RAC6181 Computer.

2. Remove the screws that secure the expansion bay (back cover) to the RAC6181 Computer. Refer to procedures in Chapter 4 for details on how to remove the back cover.

3. Carefully remove the expansion bay.

Note: Depending on the expansion drive installed, the cables connecting the drive may be short. Be sure not to damage the drive or the connections.

4. If necessary, disconnect the ribbon cable connector and the power connector from the expansion drive.

Connecting External Drives

Chapter Objective

This chapter shows how to connect an external drive to the RAC6181 Industrial Computer.

Note: Refer to Chapter 6 for instructions on installing the optional expansion bay for internal drives.

Safety Precautions

Observe the following precautions when connecting an external drive:

- Always handle the media by its case.
- Avoid touching the cable connectors.
- Remove disks before disconnecting power to the drive.
- Avoid exposing the external drive to severe shock or temperature.
- Operate the external drive only on a flat surface.
- Do not move the external drive while it is operating.

Sample External Drives

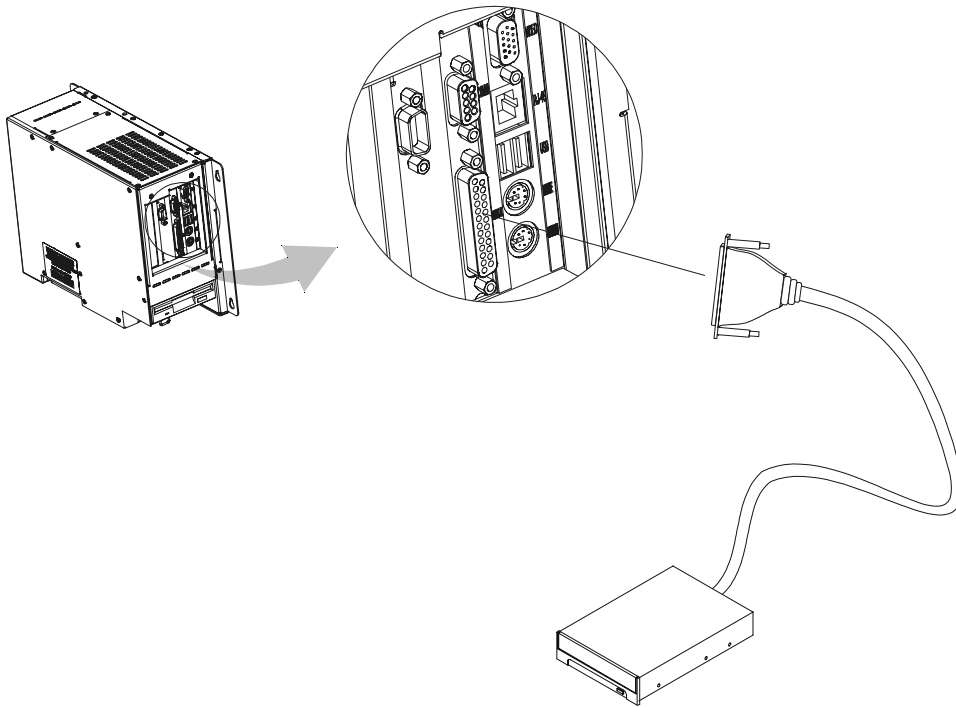
The following are a few examples of external drives:

- MicroSolutions Backpack CD-ROM drive (parallel port interface). (www.micro-solutions.com)
- Imation SuperDisk LS120 drive (parallel port or USB interface). Supports 120MB and standard high-density 1.44MB floppy diskettes. (www.superdisk.com)
- Iomega Zip drive (parallel port or USB interface). Available in 100MB and 250MB formats. (www.iomega.com)

Connecting an External Drive

This section gives instructions for connecting an external drive to the RAC6181 Computer.

1. **Before you apply power to the RAC6181 Computer**, connect the parallel connector for the external drive to the parallel port on the RAC6181 Computer. For drives supporting a USB interface, connect the drive to the USB port on the RAC6181 Computer.



2. Connect the AC plug for the external drive to a power source.
3. Connect power to the RAC6181 Computer.
4. Follow the manufacturer's instructions for loading any required software drivers and configuring the RAC6181 Computer to operate with the external drive.

Installing/Removing Memory Modules

Chapter Objective

This chapter describes how to add RAM Memory to the RAC6181 Computer processor board. Topics include:

- Available RAM memory
- Guidelines for adding/removing memory modules
- How to add/remove memory modules to processor board

Available RAM Memory (Pentium CPU Card)

The RAC6181 Pentium processor board has one 168-pin socket supporting a single or double-sided Dual In-Line Memory Module (DIMM):

Memory Module	Catalog Number
128MB PC100 SDRAM DIMM	6189-DIMM128
256MB PC100 SDRAM DIMM	6189-1DIMM256

Note: If you use any type of memory module other than a qualified Allen-Bradley part, you may encounter problems.

Available RAM Memory (Pentium III CPU Card)

The RAC6181 Pentium III processor board has one 144-pin socket supporting a Small Outline Dual In-Line Memory Module (SODIMM):

Memory Module	Catalog Number
128MB PC133 SDRAM SODIMM	6189-SODIMM128
256MB PC133 SDRAM SODIMM	6189-SODIMM256

Guidelines for Adding/Removing Memory (Pentium CPU Card)

When adding memory to the RAC6181 Pentium processor board, follow these guidelines:

- Use only a standard, unbuffered 168-pin DIMM that conforms to both PC-100 and *Serial Presence Detect (SPD)* compliance industry standards.
- Use only Synchronous Dynamic Random Access Memory (SDRAM) type DIMMs.
- BIOS automatically detects memory size and type (i.e., SDRAM vs. EDO). It does not detect parity, however, so this must be manually configured by the end-user in BIOS Setup. The RAC6181 Computer ships with ECC-type memory, and the Memory Parity Check feature in BIOS Setup is programmed to “ECC” by default.
- If a non-ECC DIMM is installed, the Memory Parity Check in BIOS Setup must be changed/saved to “Disabled”. The system will fail to boot if ECC is enabled in Setup with a non-ECC DIMM installed.
- Use only gold-plated lead DIMMs.

Guidelines for Adding/Removing Memory (Pentium III CPU Card)

When adding memory to the RAC6181 Pentium III processor board, follow these guidelines:

- Use only a standard, unbuffered, non-ECC 144-pin SODIMM that conforms to both PC-100/PC-133 and Serial Presence Detect (SPD) compliance industry standards.
- Use only Synchronous Dynamic Random Access Memory (SDRAM) type SODIMMs.
- BIOS automatically detects memory size and type (i.e. PC100 or PC133). Either non-ECC or ECC SODIMMs may be used, but ECC parity checking is not supported on this system board. The ECC memory will run in non-ECC mode.
- Use only gold-plated lead SODIMMs.

Safety Precautions

Internal RAC6181 Computer components may be damaged by Electrostatic Discharge (ESD). Make sure you wear a grounding strap whenever handling circuit boards, memory modules or other internal components.



ATTENTION: Wear a wrist strap (well grounded) and perform work in a static-safe environment. Electrostatic discharge can damage the RAC6181 Computer and components.

Also observe the following precautions:

- Always handle the memory cards by the ends not by the memory module contacts.
- Store memory in a sealed anti-static bag when it is not installed.
- Never install or remove memory with the power turned on.

Adding/Removing Memory Modules

This section gives instructions on how to change an installed memory module in the RAC6181 Pentium processor board. These instructions also apply to changing SODIMM memory on the 6181 Pentium III processor board.

To add or remove memory:

1. Disconnect power from the RAC6181 Computer.



ATTENTION: Disconnect all power from the RAC6181 Computer before adding/removing components. Failure to disconnect power could result in severe electrical shock or damage to the RAC6181 Computer.

2. Remove the top cover of the RAC6181 Computer. Refer to “Removing the Back Cover and Top Cover” on page 4-3 for instructions.

Important: If you have a 2-slot chassis with a Pentium III CPU, you must remove the CPU card to install SODIMM memory modules. Refer to “Adding/Removing CPU and Add-in Cards” on page 4-4 for complete instructions.

3. The memory module is located at the top of the CPU card, just below the top cover. Remove the existing memory module from the CPU card.
 - a. DIMM modules: remove by pressing down on the retaining latch.
 - b. SODIMM modules: remove by pulling the edges of the connector away from the SODIMM until the SODIMM pops up.

4. To install a new DIMM, hold the module only by the edges as you remove it from its anti-static package.
5. Position the DIMM so that the small notches in the bottom edge of the DIMM align with the notches in the DIMM socket on the CPU card. The retaining latch should be fully disengaged when attempting to install a DIMM.
6. Press down firmly and uniformly on the DIMM to seat it in the socket. The latch should engage in the DIMM locking slot to secure the part in place.
7. Reinstall the CPU card if necessary (Refer to “Adding/Removing CPU and Add-in Cards” on page 4-4 for complete instructions), and reinstall the top access cover.

Replacing the Backlight Tubes

Chapter Objective

This chapter describes how to replace the backlight tubes on the RAC6181 Computer flat panel display. Topics include:

- Disconnecting the touchscreen cable
- Removing the flat panel display
- Replacing the backlight tubes

Safety Precautions

The RAC6181 Computer contains line voltages. Make sure you disconnect all power to the RAC6181 Computer before performing any of the operations described in this chapter.



ATTENTION: Disconnect all power from the RAC6181 Computer before removing components. Failure to disconnect power could result in severe electrical shock or damage to the RAC6181 Computer.

Internal RAC6181 components may be damaged by Electrostatic Discharge (ESD). Make sure you wear a grounding strap whenever handling circuit boards, memory modules or other internal components.



ATTENTION: Wear a wrist strap (well grounded) and perform work in a static safe environment.

Electrostatic discharge can damage the RAC6181 Computer and components.

You will have to uninstall the RAC6181 Computer and place it display side down, with the top of the unit facing you. Make sure to place the unit on a clean, flat surface to avoid scratching the display.

Disconnecting the Touchscreen Cable (Display-Only Versions)

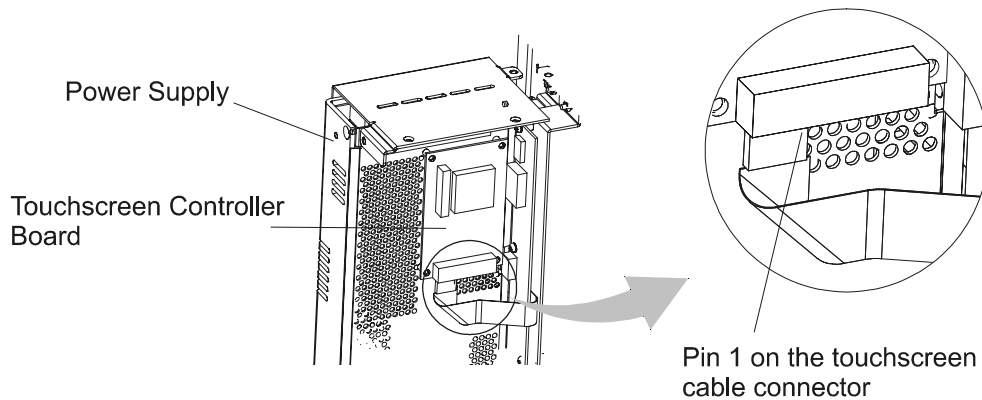
RAC6181 Industrial Computer 10.4-in. and 12.1-in. display-only versions may come equipped with a touchscreen. If so, you will have to disconnect the touchscreen cable before removing the flat panel display and replacing the backlight tubes.

Disconnecting the touchscreen cable:

1. Remove the back cover of the RAC6181 Computer. Refer to “Removing the Back Cover and Top Cover” on page 4-3 for complete instructions.
2. Disconnect the touchscreen cable from the touchscreen controller board.



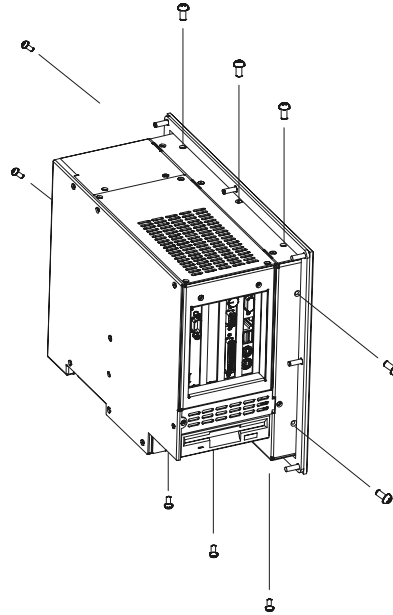
ATTENTION: Make note of Pin #1 on the touchscreen cable, and its orientation to the touchscreen board, so that you can properly reconnect the cable at the end of this procedure.



Replacing the Backlight Tubes (10.4-in. Display-Only Version)

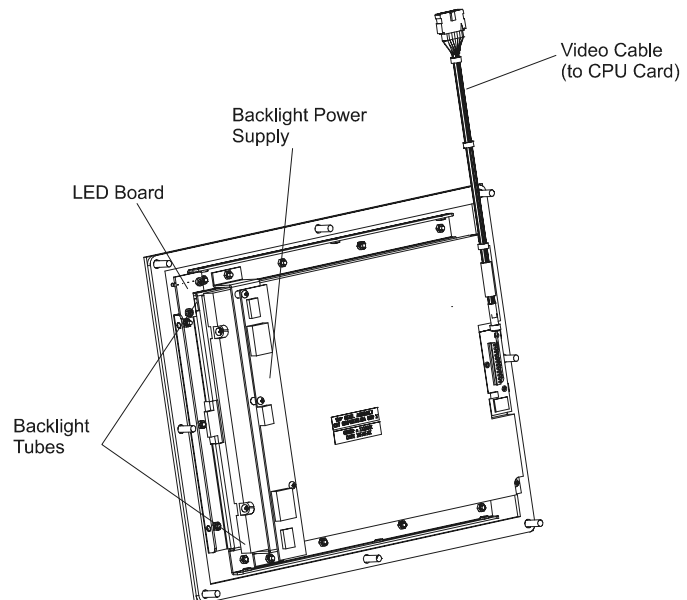
Removing the flat panel display:

1. Remove the 10 screws that secure the flat panel to the RAC6181 Computer chassis.



2. Carefully pull the flat panel display away from the chassis and disconnect the following connectors from the flat panel display:

- LED connector from the LED board
- Power cable attached to the backlight power supply

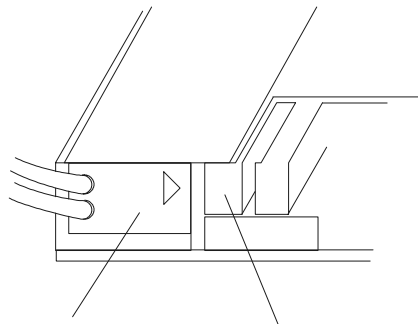


3. Lift and pivot the chassis to the left. If you have a touchscreen unit, make sure the touchscreen cable comes out of the chassis without becoming snagged and damaged. Place the chassis on its edge to the left of the unit.
4. On the flat panel display, disconnect the backlight tube connectors from the backlight power supply.
5. Disconnect the display cable from the flat panel display by removing the 3 screws holding it to the small printed circuit board on the display.

Replacing the backlight tubes:

1. Press on the retention clip in the direction indicated by the arrow to release the backlight tube.

Note: There are backlight tubes on either side of the display, but only one side has an arrow.



Backlight Tube Retention Clip

2. Gently pull the tube out of the assembly.
3. Slide the replacement backlight tube into the slot until it snaps into place.

Reinstalling the flat panel display:

1. Reattach the display cable to the flat panel display by gently plugging the connector into the small printed circuit board and replacing the 3 screws that hold it in place.



ATTENTION: Do not overtighten the screws holding the display cable to the printed circuit board. Tighten to a torque of 1-2 in-lbs. (0.1-0.2 N-m)

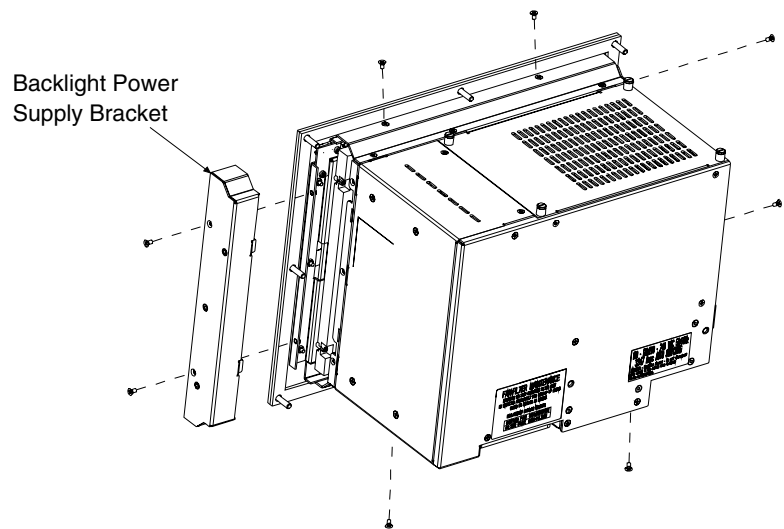
2. Reattach the backlight tube connectors to the backlight power supply.

3. Place the chassis back onto the display assembly while:
 - Reattaching the LED connector to the LED board
 - Reattaching the power cable to the backlight controller board
 - Threading the touchscreen cable (if necessary) back into the chassis
4. Reattach the touchscreen cable to the touchscreen controller board, if necessary.
5. Reattach the display assembly to the unit using the 10 screws.
6. Replace the back cover of the unit if necessary.

Replacing the Backlight Tubes (12.1-in. Display-Only Version)

Removing the flat panel display:

1. Remove the 8 screws that secure the flat panel to the RAC6181 Computer chassis.

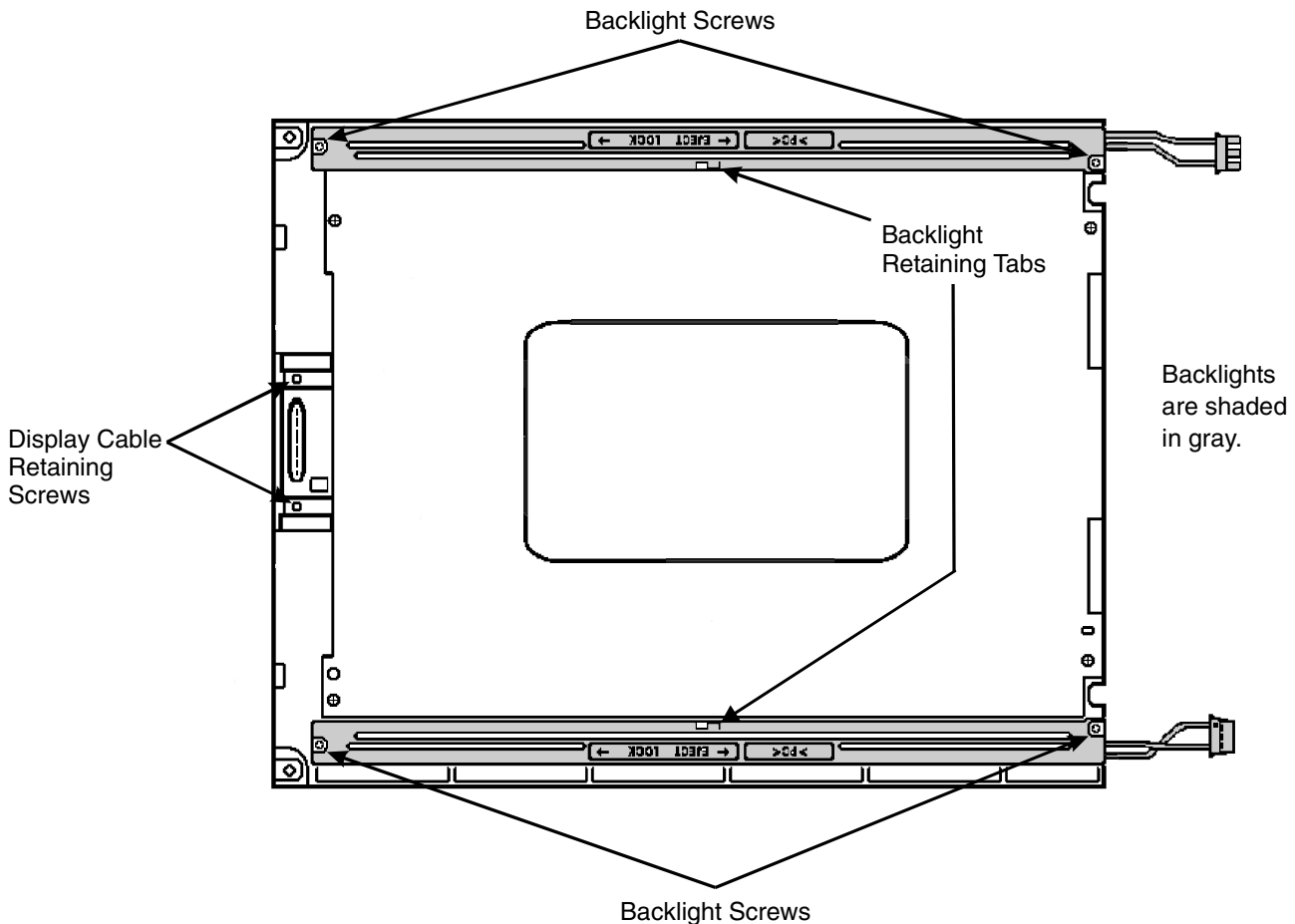


2. Remove the backlight power supply bracket from the right side of the unit. Lift the chassis, if necessary.
3. Remove the power cable and backlight tube connectors from the backlight power supply (the printed circuit board attached to the bracket).
4. Remove the LED connector from the LED board (the small printed circuit board attached to the display assembly).

5. Pivot the chassis to the left. If you have a touchscreen unit, make sure the touchscreen cable comes out of the chassis without becoming snagged and damaged.
6. Lift and pivot the chassis off of the display assembly and place the chassis on its side to the left of the display assembly.
7. Disconnect the display cable from the flat panel display by removing the 2 screws holding it to the small printed circuit board on the display (see figure below). The display assembly is now completely free of the unit.

Replacing the backlight tubes:

1. Remove the 2 screws holding each backlight tube in place.



2. Slide the tube to the right about 1/8 in. (3 mm) and gently pull the tube up and out of the assembly.
3. Insert the replacement backlight tube into the slot and slide it to the left until the holes for the screws are aligned.

4. Replace the screws that hold the backlight in place.

Reinstalling the flat panel display:

1. Reattach the display cable to the flat panel display by gently plugging the connector into the small printed circuit board and replacing the 2 screws that hold it in place.



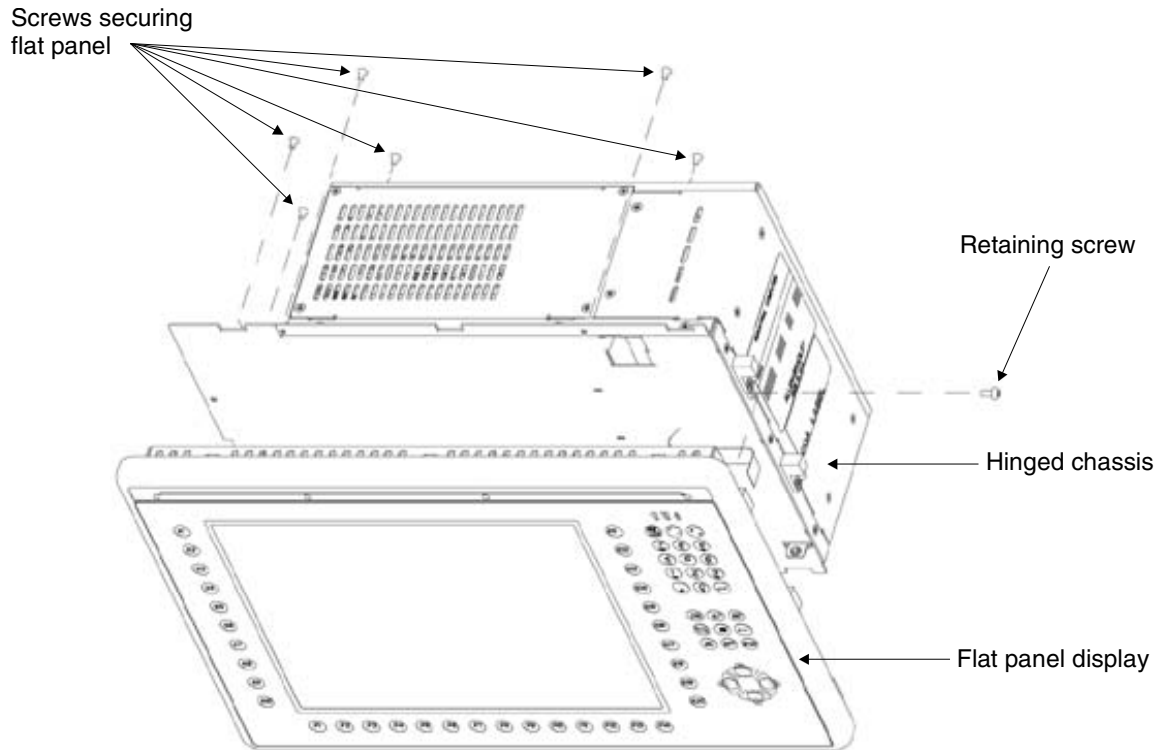
ATTENTION: Do not overtighten the screws holding the display cable to the printed circuit board. Tighten to a torque of 1-2 in-lbs. (0.1-0.2 N-m).

2. Lay the backlight tube connectors to the right of the unit and reattach them to the backlight power supply
3. Place the chassis back onto the display while threading the touchscreen cable back into the chassis, if necessary. Make sure that you have access to the LED connector and backlight power cable after the chassis is in place.
4. Reattach the LED connector to the LED board and the backlight power cable to the backlight controller board.
5. Place the backlight power supply bracket back into place on the unit.
6. Reattach the touchscreen cable to the touchscreen controller board, if necessary.
7. Reattach the display assembly and backlight power supply bracket to the unit using the 8 screws.
8. Replace the back cover of the unit if necessary.

Replacing the Backlight Tubes (12.1 in. Keypad Version):

Removing the flat panel display

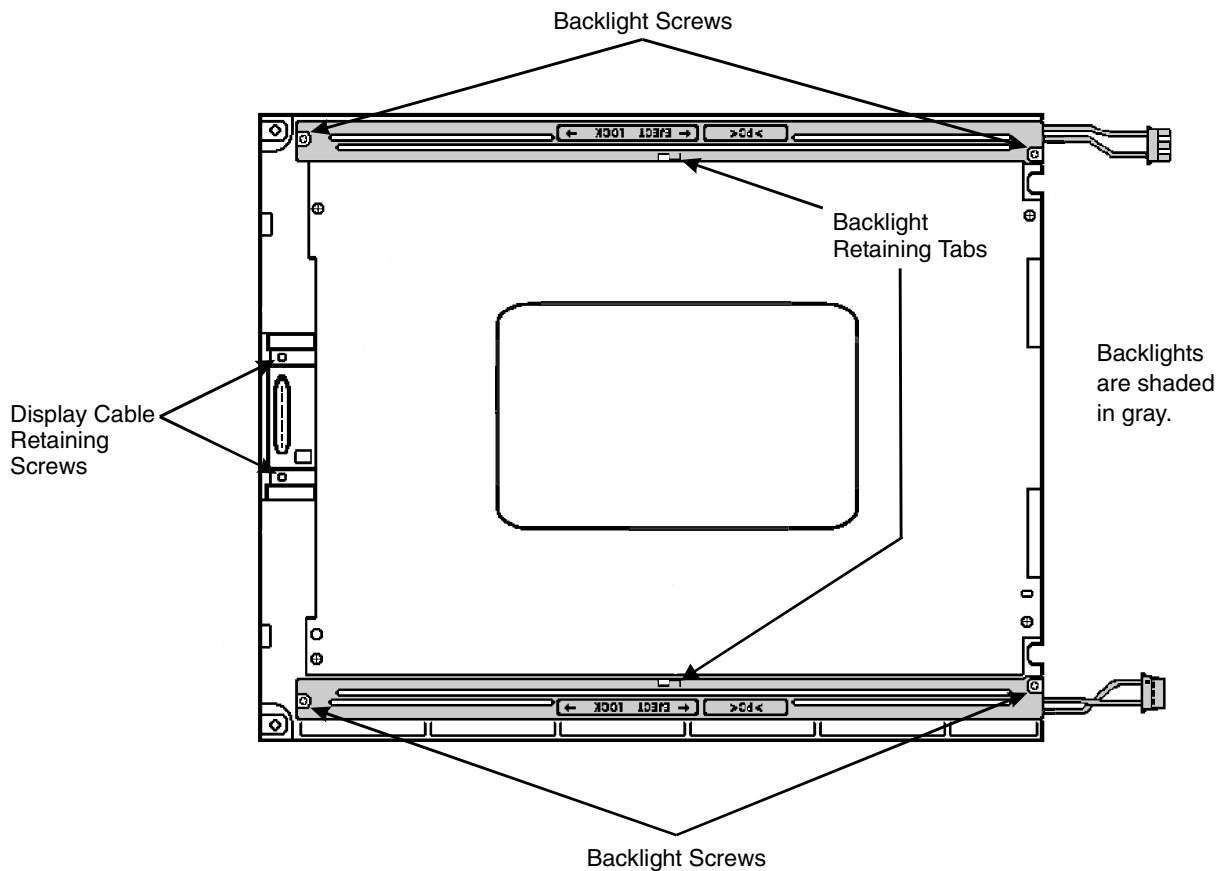
1. Remove the 6 screws that secure the flat panel to the RAC6181 Computer chassis.



2. Remove the retaining screw from just below the top hinge and open the hinged chassis enough to remove the chassis from the display assembly. Place the chassis on its side to the right of the display assembly.
3. Unplug the following connectors:
 - Keyboard connector cable
 - Backlight power/LED cable
 - Touchscreen cable (if applicable)
4. Disconnect the display cable from the flat panel display by removing the 2 screws holding it to the small printed circuit board on the display (see figure on the following page). The display assembly is now completely free of the unit.

Replacing the backlight tubes:

1. Remove the 2 screws holding each backlight tube in place.



2. Slide the tube to the right about 1/8 in. (3 mm) and gently pull the tube up and out of the assembly.
3. Insert the replacement backlight tube into the slot and slide it to the left until the holes for the screws are aligned.
4. Replace the screws that hold the backlight in place.

Reinstalling the flat panel display:

1. Carefully pivot the chassis back into place on the display assembly.
2. Reattach the following connectors:
 - Keyboard connector cable
 - Backlight power/LED cable
 - Touchscreen cable (if applicable)

3. Reattach the display cable to the flat panel display by gently plugging the connector into the small printed circuit board and replacing the 2 screws that hold it in place.



ATTENTION: Do not overtighten the screws holding the display cable to the printed circuit board. Tighten to a torque of 1-2 in-lbs. (0.1-0.2 N-m)

4. Reattach the display assembly to the unit using the 6 screws.
5. Replace the retaining screw below the top hinge.

12.1 in. Keypad Bezel Operation

Chapter Objective

This chapter describes operations specific to the RAC6181 12.1 in. keypad version. The RAC6181 front bezel assembly consists of a plastic bezel with overlay and a metal frame assembly that holds the LCD panel and associated interconnection circuit boards. The RAC6181 keypad version has removable function key legend strips. This chapter's topics include:

- How to install the keypad legend strips
- Keypad Configuration Utility (KCU) software

Installing Keypad Legend Strips

The RAC6181 12.1 in. keypad versions contain three legend strips – one strip for the horizontal function keys located below the display and two strips for the vertical function keys located on either side of the display. Each of these legend strips can be removed and replaced with custom printed versions. Contact Rockwell Automation for more information on how to obtain customized legend strips.

The standard legend strips shipped with the product are configured as follows:

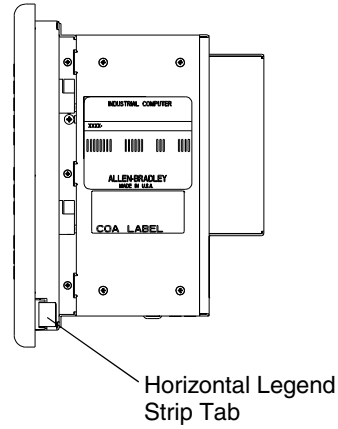
Horizontal strip	F1-F14 printed on exposed side, user-writable surface on the reverse side.
Left vertical strip	K1-K10 printed on exposed side, user-writable surface on the reverse side.
Right vertical strip	K11-K20 printed on exposed side, user-writable surface on the reverse side.

The following replacement legend strips can be ordered from Rockwell Automation. Each kit contains one each of the three legend strips – horizontal, left vertical, and right vertical strips. They are configured as listed above with text printed on one side and a user-writable surface on the other side.

Part Number	Description
6189-2KEYKIT12	12.1 in. bezel legend strip kit (3 pcs)

To replace the horizontal legend strip:

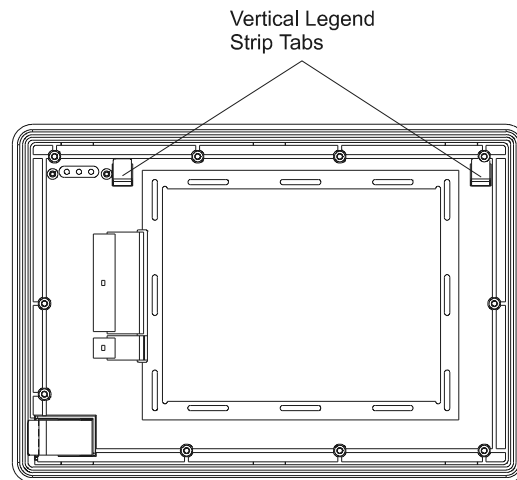
1. Locate the exposed legend strip tab on the lower left side of the RAC6181 unit.



2. Carefully pull on the tab to remove the installed legend strip.
3. To insert the new legend strip, first slightly cup the strip and carefully push it into the bezel slot. Short pushes will help slide the new strip fully into place.
4. Verify the alignment of the legend strip text with the front overlay key windows. Adjust as needed by pushing or pulling slightly on the legend strip tab.

To replace the vertical legend strips:

1. Remove the RAC6181 from the panel.
2. Remove the 6 adapter plate screws and open the hinged front (page 9-8).
3. Disconnect all cables between the bezel and computer chassis.
4. Close bezel to access the hinges on the outside of the unit. Remove the screw retaining the hinge halves together. This will allow you to separate the bezel from the chassis.
5. Separate the bezel assembly completely from the chassis.
6. Disconnect keypad and touchscreen cables from the small interconnect board. This is the circuit board with the two PS2 connectors extending out the back of the bezel.
7. Remove the 10 screws securing the metal frame and lift the metal frame away from the plastic bezel.
8. Place the front bezel plastic overlay facedown on a flat surface. Take care not to scratch the front overlay or display window. Locate the two exposed legend strip tabs as shown.



9. To remove the legend strips, carefully pull on the exposed tab.
10. To insert new legend strip, first slightly cup the strip and carefully push it into the bezel slot. Short pushes will help slide the new strip fully into place.
11. Verify the alignment of the legend strip text with the front overlay key windows. Adjust as needed by pushing or pulling slightly on the legend strip tab.

12. To reassemble the front bezel assembly, thread the keypad and touchscreen cables through the hole in the metal frame.
13. Reconnect the keypad cable, touchscreen cable, backlight tube connectors, and backlight power supply cable.
14. Reinstall the 10 screws to attach the metal frame to the plastic overlay assembly. Tighten the screws to a torque of 6 – 8 in-Lbs (0.7 – 0.9 N•m).
15. Attach the bezel and install the hinge retainer screw.
16. Reinstall the 6 adapter plate screws. Tighten the screws to a torque of 6 – 8 in-lbs. (0.7 – 0.9 N•m).
17. Reinstall the computer in the panel

Setting Up and Using the Keypad Configuration Utility Software

The RAC6181 Keypad Configuration Utility (KCU) is a PC-based program that allows you to modify, view, print, and save keypad configurations for the 6181 12.1 inch keypad bezel. The keypad configuration can then be downloaded to the 6181 12.1 inch keypad Bezel Interface Controller (BIC) Card using a DOS-based *jflash.exe* utility.

For each keypad configuration you can:

- Enable or disable specific keys or selected key combinations.
- Configure the key functionality.
- Retrieve, modify, and save key codes associated with specific keys on the computer's bezel.

The resultant codes for single key are often referred to as the *definition* or *mapping* of the key. The collection of all keys' definitions is commonly called the *Keypad Configuration*.

Hint: If you modify the Keypad Configuration, you should save the new configuration to a Keypad Configuration File (*.KY3). This file can be downloaded into another 6181 computer to provide the same keypad behavior, or used to reload the desired configuration into a replacement 6181 computer.

System Requirements

The RAC6181 Keypad Configuration Utility is a 32-bit Microsoft Windows application that runs on the 6181 computer with Windows 95, Windows 98, Windows NT 4.0, or Windows 2000.

Installing the Keypad Configuration Utility

The Keypad Configuration Utility software is pre-installed on 6181 12.1 inch keypad versions. A backup copy of the application is distributed on CD-ROM with the 6181 computer. Refer to the *readme* file on that CD-ROM for instructions on re-installing the Keypad Configuration Utility.

Configuration Files

The RAC6181 Keypad Configuration Utility recognizes a file with the extension *.KY3 as a 6181 keypad configuration. Opening a file with this extension should launch the RAC6181 Keypad Configuration Utility.

Connecting a Keyboard to the 6181 Computer

To use the Keypad Configuration Utility, connect an IBM® AT® standard keyboard and mouse with PS/2® connectors to the 6181 computer. For instructions, refer to page 2-16. The external keyboard connects to the PS/2 port located on the back of the 6181 bezel. The external mouse connects to the PS/2 port located on the 6181 CPU card. The PS/2 jumper cable must be installed between the 6181 bezel and the 6181 CPU card. This cable connects the 6181 BIC Card to the CPU card, so that keypad configuration information can be downloaded into the BIC Card. This cable also connects the multiplexed 6181 keypad and external keyboard signals to the CPU card.

Using the Keypad Configuration Utility

To run the Keypad Configuration Utility:

1. Click on the Windows Start button. Place the cursor over Programs. You will see the Programs submenu.
2. Place the cursor over Keypad Configuration Utility. Click on the icon.
3. The Keypad Configuration Utility opens and shows the keypad and its current stored configuration.

The window that contains the keypad configuration stored on the 6181 computer is named RAC6181 Keypad Configuration.

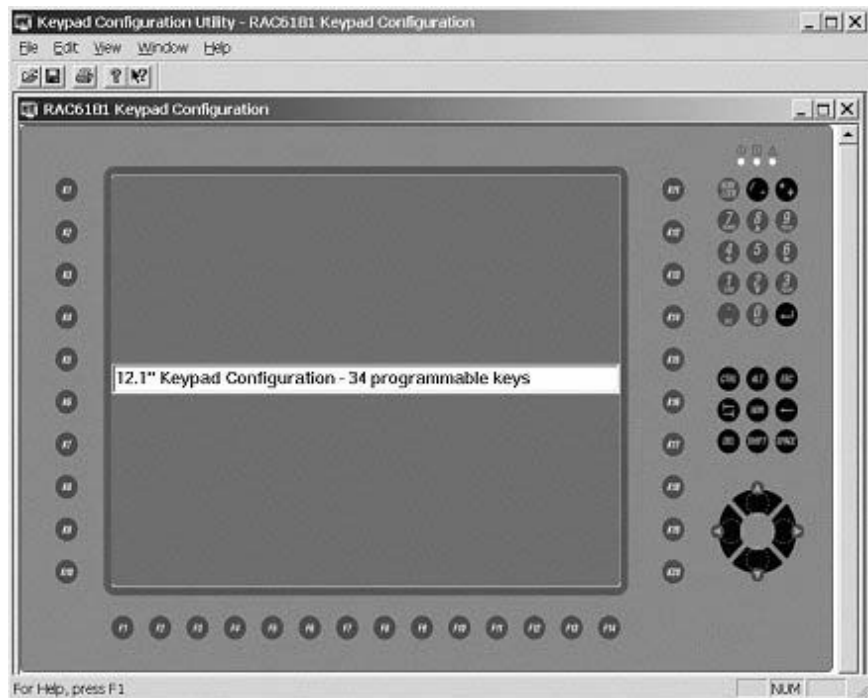


Figure 1
12.1" Bezel with Keypad

You can now:

- Modify the keypad configuration and download it to the BIC using the DOS utility *jflash.exe*.
- Modify the keypad configuration and save it as a KY3 file.
- Recall and modify an existing keypad configuration (KY3 file) and download it to the BIC using the DOS utility *jflash.exe*.

Operations available from the menu bar are as follows.

Select commands on this menu:	To
File Menu	Open, close, and save configuration files, print preview and print keypad configuration files.
Edit Menu	Select all keys or just the programmable keys, enable/disable keys, restore default configuration, edit single key configurations, and set keypad behavior attributes.
View Menu	Toggle the tool bar or status bar on or off, or view the keypad identifiers of the current Keypad Configuration.
Window Menu	Opens a new window and arranges open windows and keypad icons.
Help Menu	Display a list of help topics or the current version number of the 6181 Keypad Configuration Utility.

RAC6181 Keypad Configuration Window

A keypad configuration appears as a separate window. Most operations are done within this window.

You can:

- enter a description of the Keypad Configuration.
- open a saved Keypad Configuration file (*.KY3).
- select one or more keys.
- enable/disable all or specific keys.
- set the default configuration for all the programmable keys or all the keys.
- edit the definition of the programmable keys.
 - change a programmable key to a new key; e.g. F1 → ‘a’
 - assign a macro string to a programmable key; e.g. F2 → “RAC6181”

Entering a Keypad Description

The text edit box appears near the center of the keypad configuration window and allows you to enter a description to identify the Keypad Configuration. The text edit box accepts up to 64 characters. To edit a description, simply click in the text edit box and start typing or editing the text. With the cursor in the text edit box, click the right mouse button to open the popup menu. Use the commands on this menu to copy/cut, paste and delete selected text. To select all the text in the description box, choose Select All from the popup menu. The new keypad description will be saved to a File when you select Save or Save As ... on the File menu.

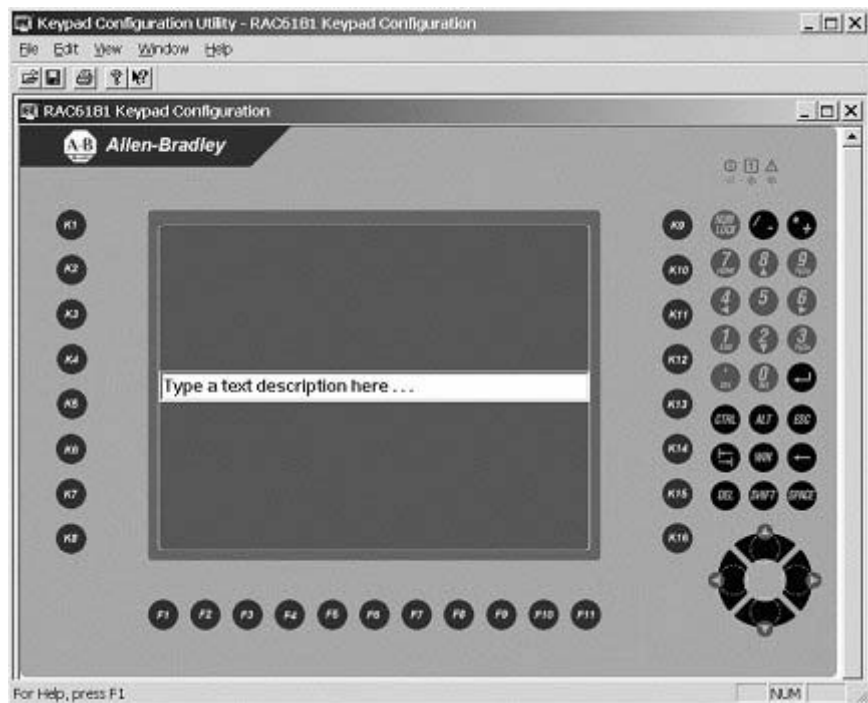


Figure 2
Text Description

Selecting Keys

The table below shows how to select keys on the keypad. You must select a key before you can enable or disable the key or modify its configuration.

To Select:	Do This:	The result is:
Single key	Click the left mouse button on the key.	The selected key is highlighted with handles.
Group of keys	Click the left mouse button and drag the selection rectangle around the keys you want to select.	The selected keys are highlighted with handles.
All keys	Choose Select All Keys from the Edit menu.	All keys are highlighted with handles.
All Programmable Keys	Choose Select All Programmable Keys from the Edit menu.	All programmable keys are highlighted with handles.
Multiple Keys	Click the left mouse button sequentially on the desired keys while holding down the Ctrl key.	The selected keys are highlighted with handles.

Enabling and Disabling Keys

You can enable/disable all or specific keys on the keypad. By default, all keys are initially enabled.

To disable one or more keys:

1. Select the key(s) you want to disable.
2. Choose Enable Key from the Edit Menu or click the right mouse button on the key and choose Enable Key from the popup menu.

A red X appears on the key, indicating that it is disabled and the check mark is removed from Enable Key on the Edit menu.

To enable a key:

1. Select the disabled key(s) that you want to enable.
2. Choose Enable Key from the Edit Menu or click the right mouse button on the key and choose Enable Key from the popup menu.

The red X is cleared from the key, and a check mark appears next to Enable Key on the Edit menu. If multiple keys are selected with some

keys enabled and others disabled, choosing the Enable Key command will enable all the selected keys.

Opening a Saved Keypad Configuration

To open an existing keypad configuration file:

1. Choose Open from the File menu or click on the tool bar.

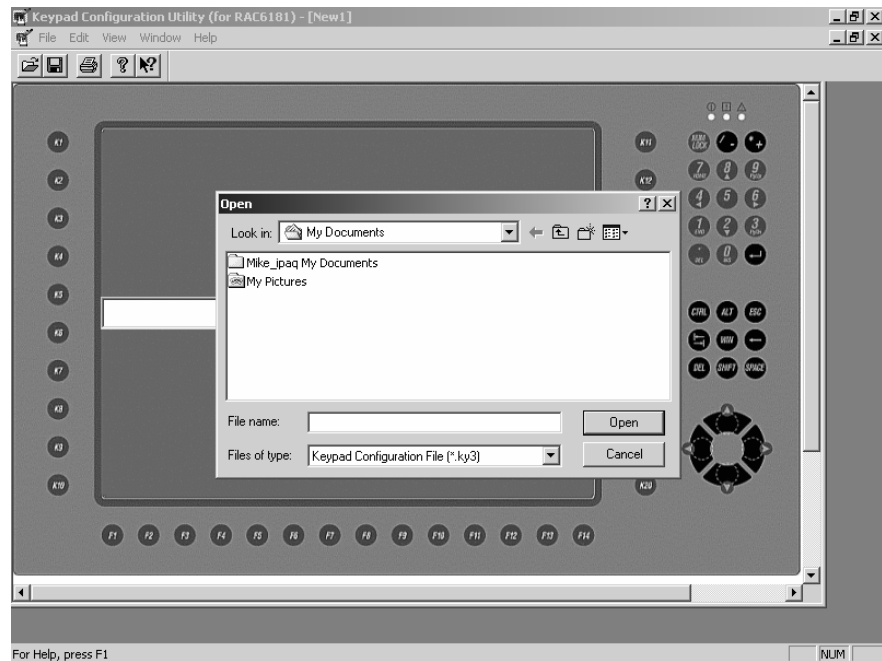


Figure 3
Open File

2. The dialog shows all keypad configuration files (.KY3) in the “Look In:” folder.
3. Double-click the .KY3 file you want to open or click on a .KY3 file and then click the Open button. A window opens for the selected keypad configuration. The name of the .KY3 file shows in the title bar.

The window titled **RAC6181 Keypad Configuration** is the configuration stored on the 6181. If this window and all other keypad configuration windows are closed, you can reopen the 6181 Keypad Configuration from the File menu by selecting Open RAC6181 Keypad Configuration from the File menu.

Set the Default Configuration for Programmable Keys

1. Select one or more programmable keys or use the edit menu Select All Programmable Keys. See “Selecting Keys” above.
2. Choose Set Default Configuration from the Edit menu.

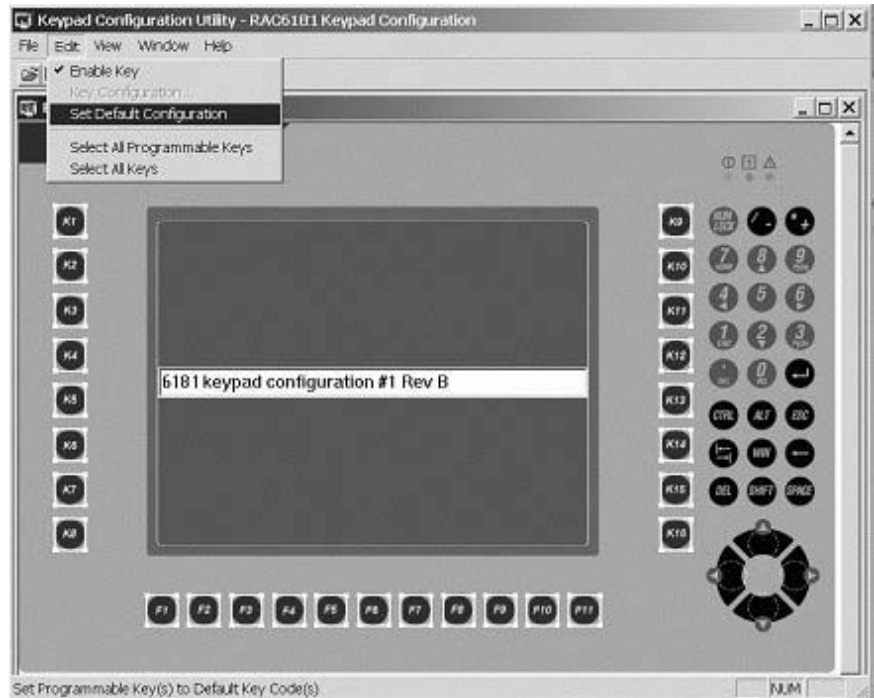


Figure 4
Set Programmable Key Default

The selected programmable keys are set to their default assignments. The default key assignments are listed at the end of this chapter.

Set the Default Configuration for Any Key

1. Select one or more keys or use the edit menu Select All Keys. See “Selecting Keys” above.
2. Choose Set Default Configuration from the Edit menu.

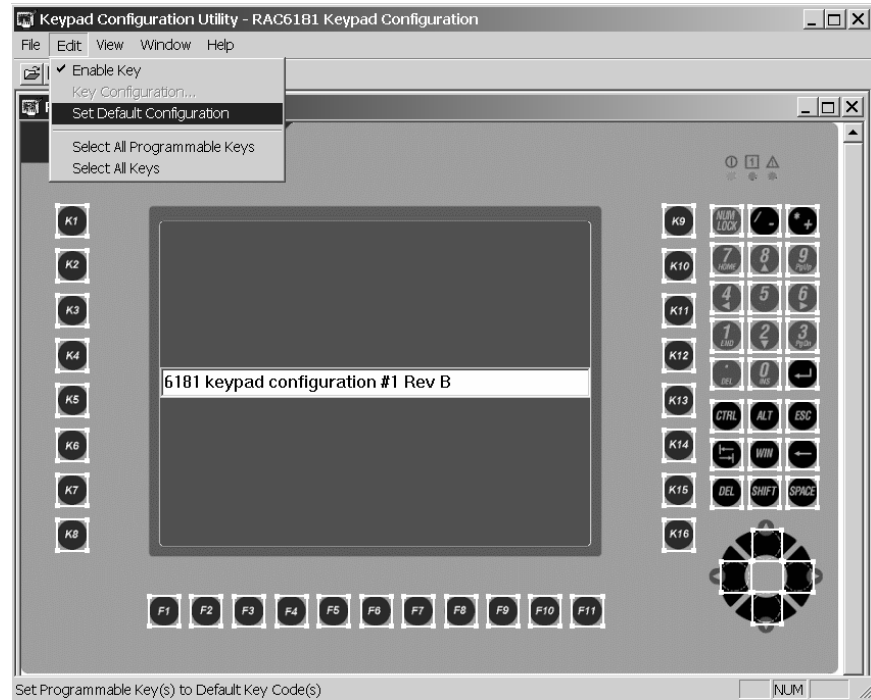


Figure 5
Set Key Default

The selected keys are set to their default assignments. Non-programmable keys are enabled by default. The default key assignments are listed at the end of this chapter.

To restore the factory defaults on the 6181 keypad configuration, select all keys (Edit menu / Select All Keys), then select the Set Default Configuration.

Editing the Programmable Keys

To edit the definition of a programmable key:

1. Select a single programmable key.
2. Choose Key Configuration from the Edit menu or click the right mouse button on the key and choose Key Configuration from the popup menu as shown below.
3. Use the Edit Programmable Key dialog to view the current definition and establish a new definition for the programmable key.
4. Click OK or press Enter to save the definition and close the dialog.
5. When all programmable keys are defined to your satisfaction, download the Keypad Configuration to the 6181 BIC.

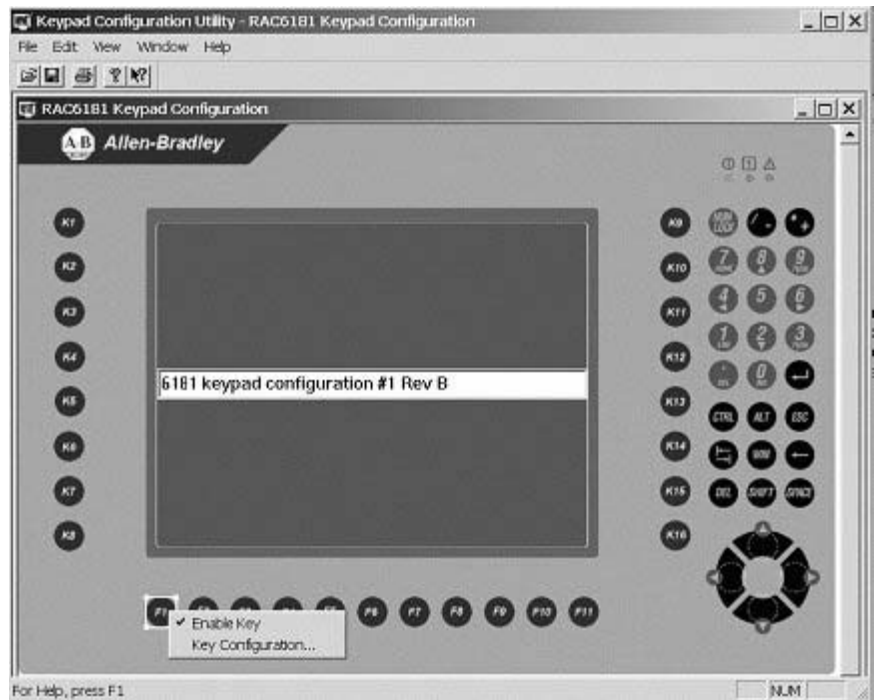


Figure 6
Edit Configuration

The Edit Programmable Key dialog lets you modify the definition of the selected programmable key. The definitions are downloaded and stored in the 6181 BIC. Modifying a programmable key is not recommended unless required by the application software.

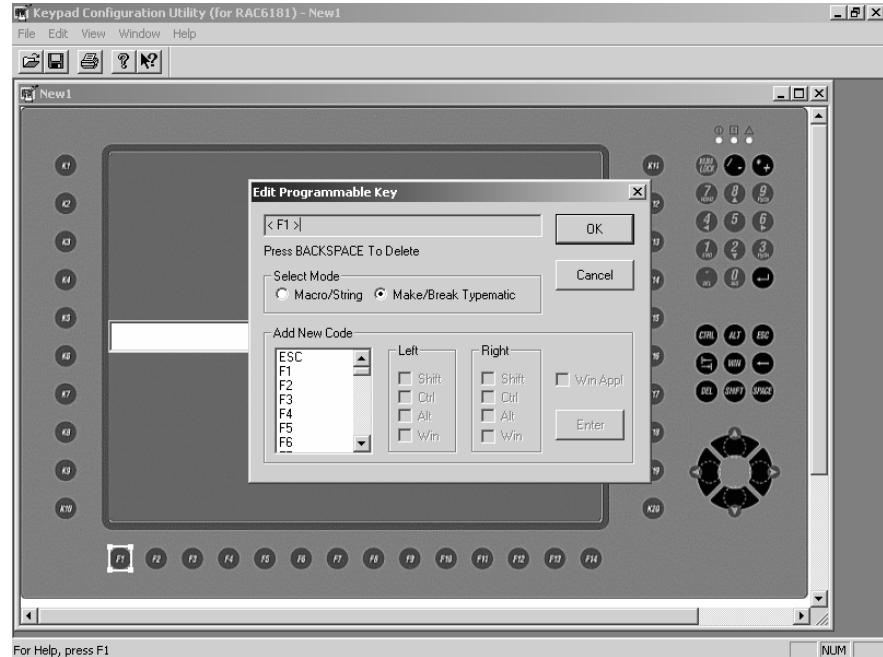


Figure 7
Select and Edit Programmable Key

When the Edit Programmable Key dialog box opens, it shows the current definition of the selected programmable key. Nonprintable key codes appear in brackets, for example, <F1> or <(L)Shift+F1>. Modifiers appear to the left of a “+” symbol. (L) or (R) denote left or right modifier keys. The current mode is indicated in the Select Mode grouping.

Text Edit Box

The text box at the top of the dialog displays the current definition for a selected programmable key. You can enter a new definition directly into the edit box if the characters are printable (e.g., alphanumeric characters). You must enter nonprintable characters from the Add New Code list. While in the text edit box, use Backspace to remove existing characters and correct typing errors. The contents of the Text Edit Box are transformed into key codes and/or run commands that are emitted when the key is pressed. Note that one of the more powerful 6181 keypad features is to perform multiple key codes with a single key press.

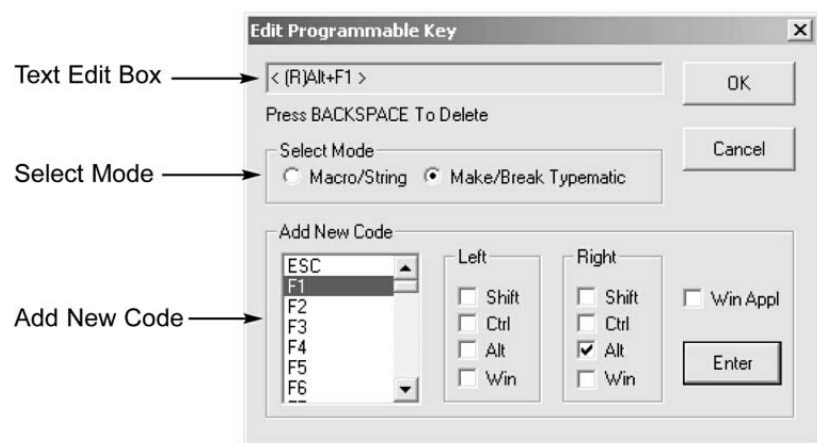


Figure 8
Edit Programmable Key Dialog

Select Mode

Determines how the contents of the Text Edit Box will be handled by the 6181 when the selected key is pressed. There are 3 modes, established by radio buttons.

1. In **Macro/String** mode, the key is defined as non-repeating and all key codes are sent as a single string when the key is first pressed. A key defined as a Macro/String can submit a sequence of up to 31 key presses to the application that is currently in focus.

In the following example, the programmable emits the well-known, DOS “DIR command” to the command prompt. The 6181 command prompt application window must be “in focus” on the 6181 before

this macro string will work. The command prompt can be opened from the Start menu: START / RUN.

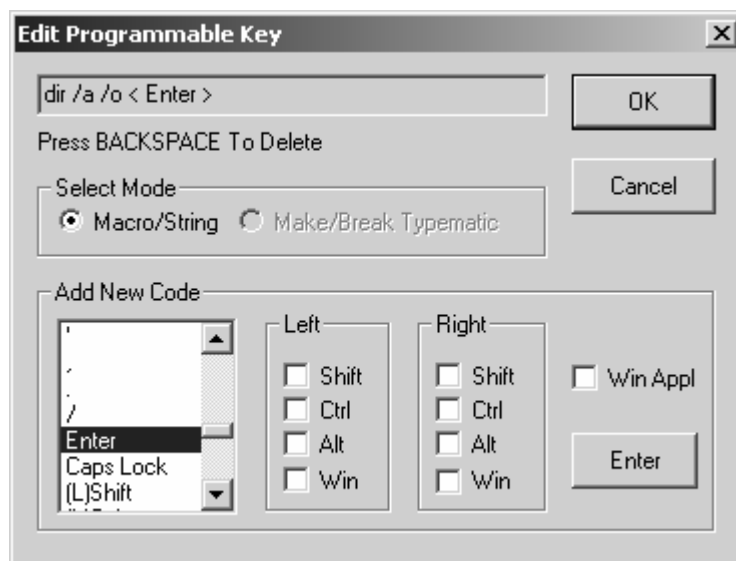


Figure 9
Macro/String Mode

2. In **Make/Break Typematic** mode, the key is defined as repeatable at the Repeat Rate established by the Keypad Properties Tool in 6181 Control Panel. The key “Make” codes are sent when the key is first pressed and the “Break” codes are sent when the key is released. If the key is held down, the “Make” codes repeat at the Repeat Rate.

Make/Break Typematic mode is available only for a single key press definition including its modifiers, and as such is typically used to map a programmable key to a single alpha key. Thus the keypad can emulate a subset of a standard PC keyboard.

In the following example the programmable key emits the character ‘a’ at the Repeat Rate.

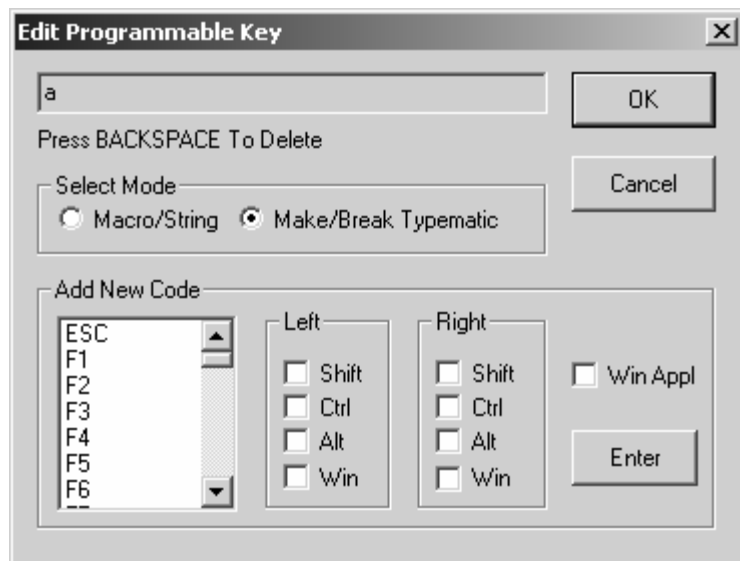


Figure 10
Make/Break Typematic Mode

Add New Code

The **Add New Code** grouping on the dialog is a list of valid keys and modifiers that can be assigned to a programmable key. A modifier (Shift, Ctrl, Alt, Win or Win Appl) are enabled for a key code, by selecting the appropriate check boxes. These check boxes are dynamically updated so that only valid combinations are allowed. After selecting a key code and modifiers, click the Enter button to display the new code in the Text Edit box. You must click Enter after each new code selection. Non-printable codes are enclosed within ‘<’ and ‘>’.

Hints for editing a programmable key definition:

- Select (or click on) a code in the Add New Code list.
- Under Left or Right, select the Shift, Ctrl, Alt, or Win check boxes to enable one or more modifiers for the new code.
- Click Enter to display the new code in the text box. If entering multiple codes, click Enter after each code selection or double-click each code selection. The text box is automatically updated.
- Type the characters in the Text box as you want them to appear using shifted or unshifted characters.
- To insert a nonprintable code in the text, select the code from the Add New Code list and then click Enter. The nonprintable code is inserted in the text with brackets.

Examples of Editing Key Definitions

Example #1: Configure the K1 key as < (L)Win+e > which runs Windows Explorer:

1. Select the key labeled K1.
2. Choose Key Configuration from the Edit menu, or click the right mouse button on the key and choose Key Configuration from the popup menu.
3. In the text box, backspace to delete the current definition.
4. Under Select Mode, select Make/Break Typematic.
5. Select 'e' from the Add New Code list.
6. Under Left, check Win check box.
7. Click the Enter button to display the new definition.

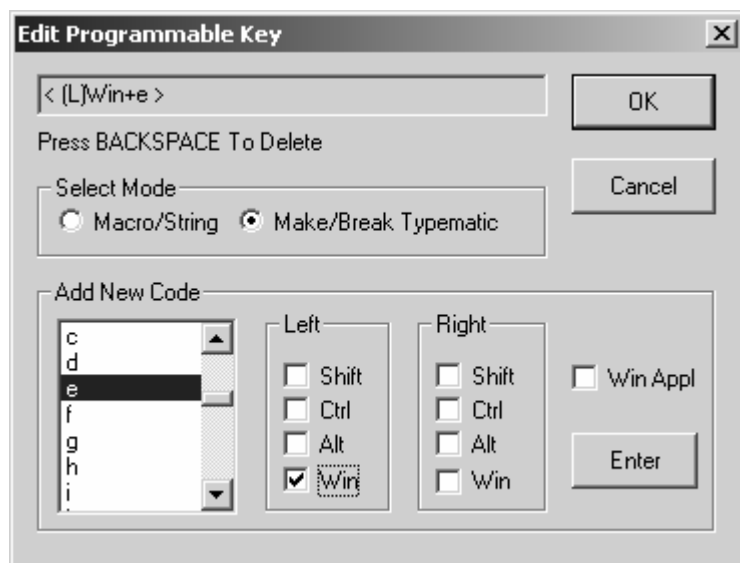


Figure 11
Example #1

8. Click OK to store the definition and exit the dialog.

Example #2: Configure the K10 key perform a DIR /a /o /s command

1. Select the key labeled K10.
2. Choose Key Configuration from the Edit menu, or click the right mouse button on the key and choose Key Configuration from the popup menu.
3. In the text box, backspace to delete the current definition
4. Under Select Mode, select Macro/String
5. In the text box, type DIR /a /o /s
6. In the Add New Code list, select Enter and click the Enter button

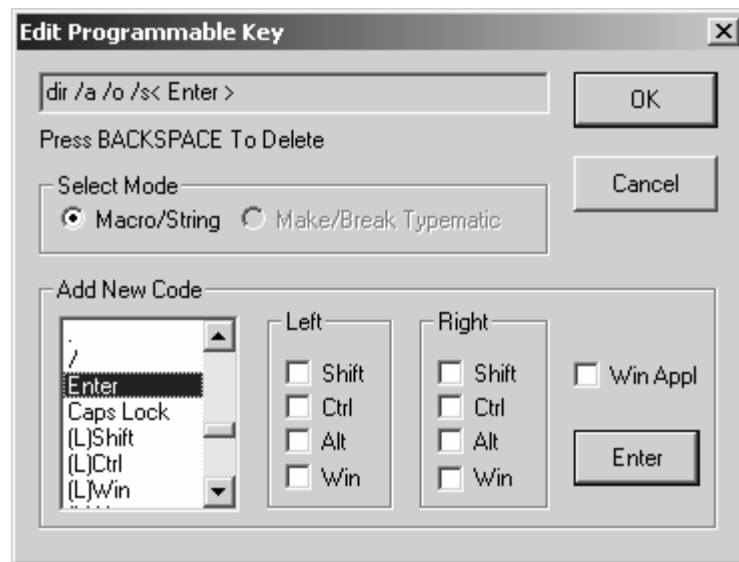
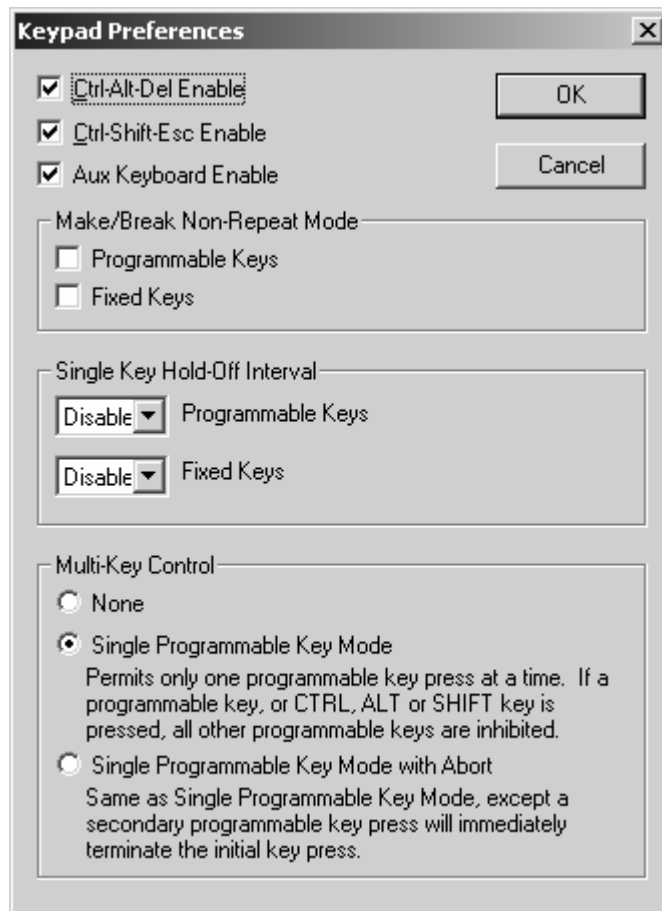


Figure 12
Example #2

7. Click OK to store the definition and exit the dialog.

Setting Keypad Preferences

You can configure a variety of general keypad features and operating functionality. Open the Keypad Preferences window by selecting “Preferences...” under the Edit menu.



Configuring Control Key Sequences

The top two check boxes in the Keypad Preferences window allow you to enable or disable the “Ctrl-Alt-Del” and “Ctrl-Shift-Esc” key sequences on the 6181 keypad or an external keyboard (if connected to the front bezel auxiliary keyboard PS/2 port). When disabled, the 6181 BIC Card will ignore these key sequences, locking out an operator from accidentally shutting down the operating system. Click on the appropriate box to enable or disable the selection. A “check” in the box indicates that the option is enabled.

The third check box allows you to enable or disable the 6181 front bezel auxiliary (external) keyboard port. When disabled, the 6181 BIC Card will not accept any input from an external keyboard connected to that port. Click on the box to enable or disable this selection. A “check” in the box indicates that the option is enabled.

Make/Break Non-Repeat Mode

Selecting “Make/Break Non-Repeat Mode” functionality for either the Programmable Keys (F1-F14 and K1-K20) or the Fixed Keys (all other keys on the keypad) will determine how these keys operate during a continuous key press. All keys within the associated group that have the key mode “Make/Break Typematic” selected will be affected. Keys configured for Macro String mode are not affected by this setting.

If the Non-Repeat Mode is disabled, then the keys will repeat when held down as defined by the Make/Break Typematic mode. If the Non-Repeat Mode is enabled, then no repeat codes will be sent. The 6181 BIC Card will send a single “Make” code when the key is pressed, nothing will be sent while the key is held down, and a single “Break” code will be sent when the key is released.

Click on the box next to Programmable Keys to enable or disable the Make/Break Non-Repeat Mode for this group of keys (F1-F14, K1-K20). A “check” in the box indicated that the mode is enabled.

Click on the box next to Fixed Keys to enable or disable the Make/Break Non-Repeat Mode for this group of keys. A “check” in the box indicated that the mode is enabled.

Single Key Hold-Off Interval

This feature is used to “deactivate” a key immediately after it has been pressed and released, for a programmable time interval from 100 milliseconds up to 4 seconds. This is useful when specific keys are used for jogging type operations, to slow down the key code input stream from overrunning the operating system or application input buffers.

Use the pull-down menu next to the appropriate key group (Programmable Keys or Fixed Keys) to select the desired time interval. For example, select “1 sec” for the Programmable Keys. When a function key is pressed and released, another key press to that function key will be ignored for one second.

To disable the hold-off interval, select “disabled” from the pull-down menu.

Multi-Key Control

This feature is used to select the desired operation when multiple keys are pressed simultaneously. Select the desired mode by clicking on the circle or text for “None”, “Single Programmable Key Mode”, or “Single Programmable Key Mode with Abort”.

The “None” selection does not inhibit any multi-key presses.

The “Single Programmable Key Mode” selection permits only one programmable key press at a time. If a programmable key, or the CTRL,

ALT, or SHIFT key is pressed, all other programmable keys (F1-F14, K1-K20) are inhibited.

The “Single Programmable Key Mode with Abort” selection permits only one programmable key press at a time. It functions the same as the “Single Programmable Key Mode” selection, except a secondary programmable key press will immediately terminate the initial key press (sends a Break code, even if the initial key is physically still pressed). Any further key presses are inhibited until all keys are released.

Saving Keypad Configurations

You can save a keypad configuration under the existing name or under a new name.

Save

Choose Save from the File menu or click on the tool bar to save changes to a keypad configuration under the current name. The default filename for the keypad configuration is RAC6181.KY3. The first time you try to save a configuration, the Save As dialog opens.

Save As

Choose Save As from the File menu to save the keypad configuration under a new file name. The default file type for a 6181 keypad configuration files is *.KY3.

Previewing and Printing a Keypad Report

The 6181 Keypad Configuration Utility creates a printed report for each Keypad Configuration. You can print the report or preview the report first and then print it. Print Preview is a convenient way to view the keypad configuration.

To preview a keypad configuration:

1. Open the *.KY3 keypad configuration file you want to preview.
2. Choose Print Preview from the File menu.

The Preview workspace opens showing the keypad report. The report includes:

- keypad configuration file name .KY3.
- date/time report generated
- description field of the keypad configuration
- list of Non-programmable keys (enabled or disabled) on page 1.

- definitions of programmable keys (enabled or disabled), and whether the key definition is Macro/String or Make/Break Typematic.

Macro/String definitions appear in double quotes; e.g. "String".

Make/Break Typematic definitions appear in single quotes; e.g. 'a'.

Disabled keys appear with a line through the key name and definition.

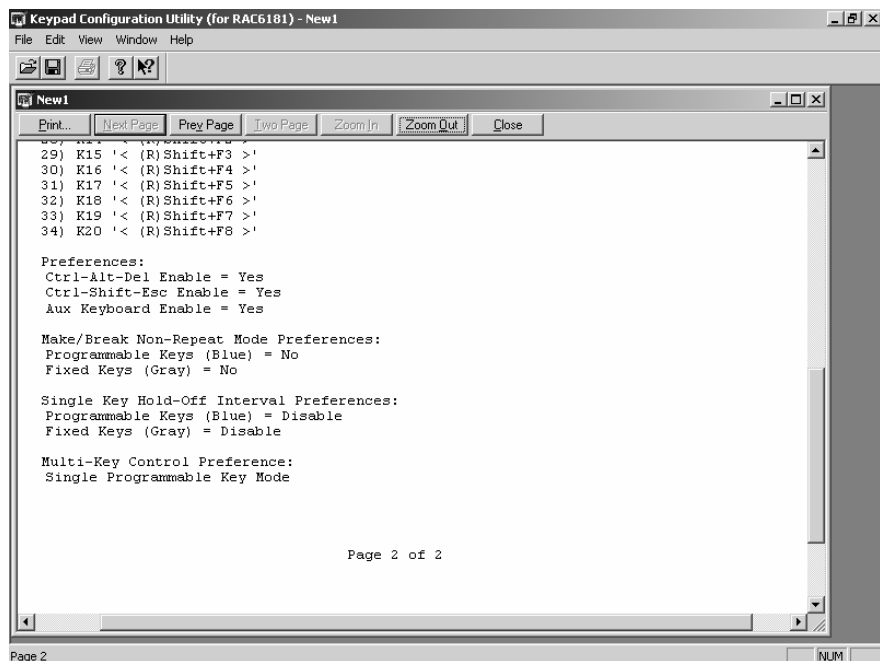
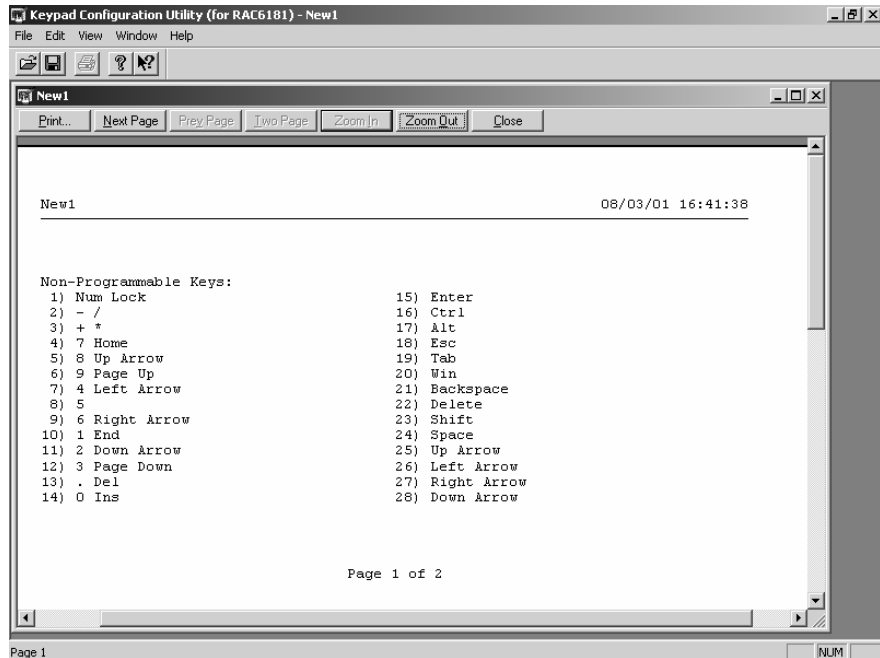


Figure 13
Print Preview

3. Select one of the buttons at the top of the workspace.

Click this button:	To:
Print	Open a Print dialog allowing you to print the report. See the next page.
Zoom In	Increase the magnification of the view so the report looks larger. You can increase the magnification several times.
Zoom Out	Decrease the magnification of the view so the report looks smaller. You can decrease the magnification several times.
Close	Exit the Preview workspace.

12.1" Keypad Default Key Assignments for Programmable Keys

Key Legend	Emulated Key(s)	Make Scan Codes (Key Pressed)	Break Scan Codes (Key Released)
F1	F1	0x05	0xF0 0x05
F2	F2	0x06	0xF0 0x06
F3	F3	0x04	0xF0 0x04
F4	F4	0x0C	0xF0 0x0C
F5	F5	0x03	0xF0 0x03
F6	F6	0x0B	0xF0 0x0B
F7	F7	0x83	0xF0 0x83
F8	F8	0x0A	0xF0 0x0A
F9	F9	0x01	0xF0 0x01
F10	F10	0x09	0xF0 0x09
F11	F11	0x78	0xF0 0x78
F12	F12	0x07	0xF0 0x07
F13	Left Shift - F1	0x12 0x05	0xF0 0x05 0xF0 0x12
F14	Left Shift - F2	0x12 0x06	0xF0 0x06 0xF0 0x12
K1	Right Alt - F1	0xE0 0x11 0x05	0xF0 0x05 0xE0 0xF0 0x11
K2	Right Alt - F2	0xE0 0x11 0x06	0xF0 0x06 0xE0 0xF0 0x11
K3	Right Alt - F3	0xE0 0x11 0x04	0xF0 0x04 0xE0 0xF0 0x11
K4	Right Alt - F4	0xE0 0x11 0x0C	0xF0 0x0C 0xE0 0xF0 0x11
K5	Right Alt - F5	0xE0 0x11 0x03	0xF0 0x03 0xE0 0xF0 0x11
K6	Right Alt - F6	0xE0 0x11 0x0B	0xF0 0x0B 0xE0 0xF0 0x11
K7	Right Alt - F7	0xE0 0x11 0x83	0xF0 0x83 0xE0 0xF0 0x11
K8	Right Alt - F8	0xE0 0x11 0x0A	0xF0 0x0A 0xE0 0xF0 0x11
K9	Right Alt - F9	0xE0 0x11 0x01	0xF0 0x01 0xE0 0xF0 0x11
K10	Right Alt - F10	0xE0 0x11 0x09	0xF0 0x09 0xE0 0xF0 0x11
K11	Right Alt - F11	0xE0 0x11 0x78	0xF0 0x78 0xE0 0xF0 0x11
K12	Right Alt - F12	0xE0 0x11 0x07	0xF0 0x07 0xE0 0xF0 0x11
K13	Right Shift - F1	0x59 0x05	0xF0 0x05 0xF0 0x59
K14	Right Shift - F2	0x59 0x06	0xF0 0x06 0xF0 0x59
K15	Right Shift - F3	0x59 0x04	0xF0 0x04 0xF0 0x59
K16	Right Shift - F4	0x59 0x0C	0xF0 0x0C 0xF0 0x59
K17	Right Shift - F5	0x59 0x03	0xF0 0x03 0xF0 0x59
K18	Right Shift - F6	0x59 0x0B	0xF0 0x0B 0xF0 0x59
K19	Right Shift - F7	0x59 0x83	0xF0 0x83 0xF0 0x59
K20	Right Shift - F8	0x59 0x0A	0xF0 0x0A 0xF0 0x59

Loading New 6181 Keypad Configuration

Once a new keypad configuration has been created, it must be downloaded from the PC into the 6181 Bezel Interface Controller (BIC) Card. The configuration data is downloaded from the CPU card to the 6181 BIC Card through the PS/2 connection. Because Windows NT and Windows 2000 protect against direct access to low-level hardware ports, a separate DOS-based “jflash.exe” utility must be used for the download. The “jflash.exe” utility is shipped on a DOS-bootable 3.5 inch diskette with every 6181 12.1 inch keypad computer. You will need this diskette to complete the keypad configuration download.

Download Procedure:

1. Create the desired RAC6181 Keypad Configuration file on the 6181 computer.
2. Copy your keypad configuration file (*.ky3) onto the DOS-bootable floppy diskette containing the “jflash.exe” utility. This 3.5 inch diskette is shipped with the 6181.
3. Keep the “jflash.exe” boot diskette in the 6181 floppy drive. Reboot the 6181 computer.
4. The 6181 will boot to DOS from the “jflash.exe” floppy diskette.
5. From the DOS prompt, enter the following command to run the download program:

a:> jflash yourconfig.ky3 <enter>
6. The status will show its progress with text messages until the download is finished.

The “jflash.exe” program has the following options:

- jflash yourconfig.ky3
 - Downloads “yourconfig” keypad configuration into 6181 BIC Card flash ROM
- jflash -v yourconfig.ky3
 - Downloads “yourconfig” keypad configuration with data verification into the BIC card flash ROM.
- jflash -r yourconfig.ky3
 - Reads the existing keypad configuration from the 6181 BIC Card, saving the keypad configuration in the “yourconfig.ky3” file.


System Troubleshooting

Chapter Objectives

This chapter describes the most common operating problems, the probable causes, and recommended corrective actions including:

- troubleshooting procedure
- troubleshooting checklists
- boot-up error messages
- general error and information messages

Hardware Diagnostics

The RAC6181 Computer is equipped with a red LED indicator () on the front panel that indicates when the unit has exceeded the defined thresholds for operation. When this LED indicator is lit, the RAC6181 Computer has exceeded one of the following threshold settings:

- Voltage ranges
- Temperature requirements
- Chassis fan speed

You need to perform the following procedure to determine which thresholds have been exceeded.

1. Shutdown the RAC6181 Computer using the appropriate method for your operating system.
2. Apply power to the RAC6181 Computer.
3. Press and hold the F2 key after the memory check is completed to enter BIOS Setup.

The BIOS Setup Menu is displayed.

4. Press the right arrow key to select the Hardware menu.
5. Press the down arrow key to select **each** hardware submenu and press Enter. Check the Current value for each setting against the specified threshold to determine if the setting has exceeded the threshold.

Troubleshooting Procedure

To help identify and isolate a problem, we recommend that you do the following when a problem occurs:

1. Disconnect power to the RAC6181 Computer.
2. Disconnect any peripheral devices such as printer or CD-ROM drive.
3. Connect the keyboard and mouse (if used) to the side panel connectors. These connectors are connected directly to the processor board.
4. Check the video connections if using an external monitor.
5. If the system normally boots from the hard drive, make sure there is not a diskette in the floppy drive.
6. Apply power and observe the LEDs on the front panel (if present). Make sure the power on indicator is illuminated.
7. Monitor the Power On Self Test (POST). One of 3 events will occur:
 - The RAC6181 Computer will complete the boot-up process.
 - An error message will occur indicating a non-fatal fault. You may have to acknowledge the message before the boot-up process is allowed.
 - The boot-up process will terminate (fatal error).
8. If the system boots up, isolate the problem by connecting peripheral devices one at a time until the problem occurs. If the problem is with a specific software package or driver, you may want to re-install the software.
9. If there is a problem not related specifically to a software installation or peripheral device, refer to the following troubleshooting checklists.

Troubleshooting Check Lists

The following are checklists of items that you may have overlooked.

If you are having problems during boot-up:

- √ Are all connections secure?
- √ Are the device drivers installed?
- √ Are the jumpers on any add-in boards correctly positioned?
- √ Is the hard drive formatted and set up in the BIOS?
- √ Is the RAM memory (DIMM or SODIMM) properly installed? You may want to re-install it to ensure a good connection.
- √ Is the EIDE cable from the hard drive properly connected? You may want to see if the system will boot from a floppy diskette.
- √ Is BIOS properly configured (refer to Appendix B)?

If there is a problem after boot-up:

- √ If you are running a software package, re-install the software.
- √ If the problem is intermittent, you may have a loose connection. Check all connections including any ISA/PCI cards. Check that the memory module (DIMM) is fully installed.
- √ Does your system have a computer virus? Run anti-virus software.
- √ Try clearing CMOS by removing and reinstalling the battery (on backplane) and running BIOS Setup (refer to Appendix B).
- √ Although the RAC6181 Computer has a regulated and protected power supply, a transient voltage in the power line or peripheral cable may cause a flickering display, unexpected reboots, or a locked up system. If so, exit the application and start over.
- √ Is the EIDE cable from the hard drive properly connected? You may want to see if the system will boot from a floppy drive.
- √ Is the system overheating? Look at the diagnostics light on the front panel display (if present). Verify that the chassis fan is working and the filter is clean.

If there is a problem running new software:

- √ Does the software have a hardware requirement that is not present?
- √ Are you using an authorized copy of the software? Some copies of software will not work without proper activation.
- √ Did the software install correctly? Re-install the software.
- √ Are you following the software's instructions? Refer to the software vendor's user manual.
- √ If the new software installed system software (DLL files) or device drivers, reapply the current Service Pack (release) of the operating system. Refer to Chapter 3, Initial Operation and Setup.

If there is a problem with an add-in board:

- √ Is the board installed and configured correctly? Recheck jumper and other configuration settings.
- √ Are any cables incorrectly installed?

If the board is an ISA board (not Plug and Play) refer to the following suggestions:

- √ If the board uses an interrupt, run BIOS Setup and set the interrupt used by the ISA board to Reserved. In the advanced BIOS menu, select the PCI Configuration PCI/PNP IRQ subscreen and then reserve the IRQ of the card.
- √ If the board uses memory between 80000H and 9FFFFH, run BIOS setup and set conventional memory to 512K.
- √ If the board uses memory between C8000H and DFFFFH, run BIOS setup and reserve the appropriate memory space.

If incorrect characters are displayed or are distorted:

- √ Are the display contrast and brightness controls properly adjusted? Refer to the operating system containing the video driver for setup functions.
- √ Is the monitor compatible with the selected video mode? The 10.4-inch RAC6181 Computer display is 640x480 (VGA) resolution. The 12.1-inch display is 800x600 (SVGA) resolution.
- √ If using the integrated display, disconnect the chassis from the bezel and check the connection to the display.

If characters are not displayed on an external monitor:

- √ Is the monitor functioning properly?
- √ Is the video cable properly installed?
- √ Check that selected character color is not set the same as the background color.
- √ Is the video driver properly installed?
- √ Reboot the RAC6181 Computer with the external monitor connected and powered up.

If the hard drive active LED indicator does not come on when the hard drive is being accessed:

- √ Check the EIDE cable connections to the drive.
- √ Check BIOS Setup for proper configuration. Is drive enabled?
- √ Check the connections on the I/O board.
- √ Reboot the RAC6181 Computer.

If the Power On LED indicator does not come on:

- √ Check the front panel connector on the processor board.
- √ Check the power cord.
- √ Check the connections on the I/O board.

Maintenance

Chapter Objectives

This chapter describes routine maintenance procedures for:

- cleaning the display
- cleaning the chassis fan filter

Note: Procedures for replacing the RAC6181 Computer backlight are in Chapter 9.

Cleaning the Display

To clean the display:



ATTENTION: Use of abrasive cleansers or solvents may damage the display window. Do not scrub or use brushes.

1. Disconnect power from the RAC6181 Computer at the power source.
2. Using a clean sponge or a soft cloth, clean the display with a mild soap or detergent.
3. Dry the display with a chamois or moist cellulose sponge to avoid water spots.



ATTENTION: If the RAC6181 Computer has a touchscreen, be aware that it is possible for screen objects to activate during equipment wash-downs.

To remove paint and grease:

Remove fresh paint splashes and grease before drying by rubbing lightly with isopropyl alcohol. Afterward, provide a final wash using mild soap or detergent solution. Rinse with clean water.



ATTENTION: Make sure the isopropyl alcohol does not come in contact with the equipment labels.

Alcohol may cause the label printing to smear.

Cleaning the Chassis Fan Filter

Clean the chassis fan filter at least once a month under normal conditions. You may need to clean the filter more frequently if the RAC6181 Computer is located in an area with high levels of dust.

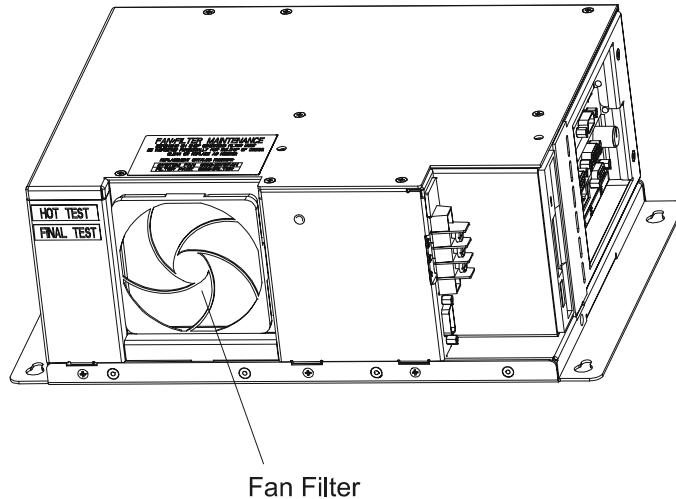
Important: You must clean the chassis fan filter properly to maintain the thermal integrity of the RAC6181 Computer.

To clean the chassis fan filter:



ATTENTION: Disconnect all power from the RAC6181 Computer before removing components. Failure to disconnect power could result in severe electrical shock or damage to the RAC6181 Computer.

1. Disconnect all power from the RAC6181 Computer.
2. Snap out the filter and retainer.



3. Remove the filter pad and clean the filter and filter pad with soap and water and allow it to dry before installing.
4. Press down on the filter retainer until it snaps firmly into place on the fan.

Note: A replacement filter kit is available (Catalog No. 6189-1FILTER). This kit contains 5 filter assemblies.

Replacing the Battery

The RAC6181 Computer contains a battery to maintain the CMOS settings and real-time clock. The battery is located in a battery holder on the RAC6181 Computer backplane. Replace this battery as needed with a Panasonic battery, part number CR2032, or Allen-Bradley part 6189-1BATT.

The battery life is dependent on the amount of on-time per week. Estimated life of the battery is listed below:

On-Time	Expected Battery Life
0 hours/week	4 years
40 hours/week	5.5 years
80 hours/week	7 years

Replacement Parts

Description	Catalog Number
ENCLOSURE:	
System Fan replacement filters, 5 pcs	6189-1FILTER
System Fan with filter assembly	6189-1SYSFAN
Mounting nuts, bag of 10 (8 required, 2 spares)	6189-1MTGNUT
Mounting clips, bag of 4 (6 required for 12.1-in keypad bezel)	6189-2MTGKIT12
Enclosure screws, bag of 20 (6 for hdd, 14 common)	6189-1ESCREW
Expansion bay rear cover metal, power supply cable	6189-1EXPBAY
BEZEL:	
10.4-in display anti-glare overlay kit (3 pcs)	6189-1AG104
10.4-in display bezel assembly, mtg screws	6189-1BEZEL104
10.4-in display & antiglare touchscreen bezel assembly, mtg screws	6189-1BZL104TA
10.4-in display & antiglare touchscreen stainless steel bezel assembly, mtg screws	6189-1SBZL104TA
10.4-in display replacement backlights, 2 pcs	6189-1BL104
12.1-in display anti-glare overlay kit (3 pcs)	6189-1AG121
12.1-in display bezel assembly, mtg screws	6189-1BEZEL121
12.1-in display & antiglare touchscreen bezel assembly, mtg screws	6189-1BZL121TA
12.1-in display & antiglare touchscreen stainless steel bezel assembly, mtg screws	6189-1SBZL121TA
12.1-in keypad bezel assembly (no display)	6189-2BZL12K
12.1-in keypad & touchscreen bezel assembly (no display)	6189-2BZL12KT
12.1-in keypad display bezel assembly	6189-2LCDBZL12K
12.1-in keypad display & touchscreen bezel assembly	6189-2LCDBZL12KT
12.1-in keypad legend strip kit	6189-2KEYKIT12
12.1-in display replacement backlights, 2 pcs	6189-BL12B

Description	Catalog Number
CPU CARD:	
Intel Celeron 566MHz CPU card with CPU and heat sink for 10 inch unit	6189-1CPU566D10
Intel Celeron 566MHz CPU card with CPU and heat sink for 12 inch unit	6189-1CPU566D12
Intel Pentium III 600MHz CPU card with CPU and heat sink for 10 inch unit	6189-1CPU600D10
Intel Pentium III 600MHz CPU card with CPU and heat sink for 12 inch unit	6189-1CPU600D12
Intel Pentium III 866MHz CPU card with CPU and heat sink for 10 inch unit	6189-1CPU866D10
Intel Pentium III 866MHz CPU card with CPU and heat sink for 12 inch unit	6189-1CPU866D12
256 MB SDRAM DIMM	6189-1DIMM256
32 MB SDRAM DIMM	6189-1DIMM32
128 MB SDRAM DIMM	6189-DIMM128
64 MB SDRAM DIMM	6189-DIMM64
128 MB SDRAM Small Outline DIMM	6189-SODIMM128
256 MB SDRAM Small Outline DIMM	6189-SODIMM256
Pentium CPU I/O board and cables	6189-1DIOBRD
Battery	6189-1BATT
COMPUTER:	
Power Supply, 120/240VAC	6189-1ACPS
AC power cord & retention bracket (USA plug)	6189-1ACCORD
Power Supply, 24VDC	6189-1DCPS
6181 COMMON PARTS:	
5.25-in EIDE DVDROM drive with cables	6189-DVDROM
5.25-in EIDE Read/Write CDROM Drive with cables	6189-CDRW
1.44 MB Floppy Drive with cable	6189-FD144
Hard Drives (xxx = current hard drive size)	6189-HDxxx
2 chl high-speed RS232 PCI add-in card	6189-COMMCARD

Specifications

Display			
Type	Active Matrix Color Thin Film Transistor (TFT) LCD		
Display Size	10.4	12.1	12.1 Keypad
Nominal Display Area			
Horizontal	8.3in. (211mm)	9.7in. (246mm)	9.7in. (246mm)
Vertical	6.2in. (158mm)	7.3in. (185mm)	7.3in. (185mm)
Resolution	640x480 pixels, 256K colors	800x600 pixels, 256K colors	800x600 pixels, 256K colors
Viewing Angle			
Horizontal (typical)	+/-70deg.	+/-60deg.	+/-60deg.
Vertical (typical)	+40/-70deg.	+55/-45deg.	+55/-45deg.
Response Time	40 msec (typical)	30 msec (typical)	30 msec (typical)
Touchscreen (optional)	Resistive analog	Resistive analog	Resistive analog

Mechanical		
Enclosure		
Display versions	NEMA 4 (indoor) when mounted (built to IP65 standards), NEMA 4X (stainless steel) optional	
Non-display version	NEMA 1	
LED Indicators		
Display versions	Red/green indicator	
Non-display version	None	
Weight	<u>2-Slot</u>	<u>4-Slot</u>
10.4 version	15.9 lbs (7.2 kg)	21.9 lbs (9.9 kg)
12.1 version	16.2 lbs (7.4 kg)	22.2 lbs (10.1 kg)
12.1 keypad version	16.2 lbs (7.4 kg)	22.2 lbs (10.1 kg)
Non-display version	13.2 lbs (5.6 kg)	19.2 lbs (8.7 kg)
Dimensions (overall) - 10.4 version	<u>2-Slot</u>	<u>4-Slot</u>
	12.75 W x 10.25 H x 5.49 D (323.9mm x 260.4mm x 139.7mm)	12.75 W x 10.25 H x 7.15 D (323.9mm x 260.4mm x 181.7mm)
Cutout Dimensions - 10.4 version	11.75 W x 9.25 H (298.5mm x 234mm)	
Dimensions (overall) - 12.1 version	<u>2-Slot</u>	<u>4-Slot</u>
	13.75 W x 11.00 H x 5.81 D (349.3mm x 279.4mm x 147.6mm)	13.75 W x 11.00 H x 7.47 D (349.3mm x 279.4mm x 189.6mm)
Cutout Dimensions - 12.1 version	12.75 W x 10.00 H (323.9mm x 279mm)	
Dimensions (overall) - 12.1 keypad version	<u>2-Slot</u>	<u>4-Slot</u>
	16.36 W x 11.12 H x 5.64 D (415.8mm x 282.6mm x 143.3mm)	16.36 W x 11.12 H x 6.81 D (415.8mm x 282.6mm x 173.0mm)
Cutout Dimensions - 12.1 keypad version	15.35 W x 10.11 H (389.9mm x 256.8mm)	
Dimensions (overall) - Non-display version	<u>2-Slot</u>	<u>4-Slot</u>
	13.50 W x 9.13 H x 4.87 D (342.9mm x 231.7mm x 123.7mm)	13.50 W x 9.13 H x 6.04 D (342.9mm x 231.7mm x 153.4mm)
Expansion Bay Option	Increases overall depth by 1.78 (45.2mm)	

Environmental	
Operating Temperature	5C to 50C 5C to 40C (AMD K6-2 366 MHz)
Storage Temperature	-25C to 60C
Relative Humidity *	8% to 80% non-condensing
Operating Altitude *	Sea level to 10,000 ft (3048m)
Non-Operating Altitude	Sea level to 40,000 ft (12000m)
Operating Shock	15g (1/2 sine, 11msec)
Non-Operating Shock	30g (1/2 sine, 11msec)
Operating Vibration	1.0g RMS Random Vibration 10 to 500Hz in up-down axis and front-back axis 10 to 300Hz in side-to-side axis
Non-Operating Vibration	2.0g RMS Random Vibration 10 to 500Hz in up-down axis and front-back axis 10 to 300Hz in side-to-side axis

* Applications with touchscreens in high-humidity and high-temperature environments have additional considerations.

Electrical (AC Option)	
Line Voltage	85 to 132VAC, 170 to 264VAC autoswitching
Line Frequency	47-63Hz
Ground Leakage	1.0 uA max at 1.5KVDC
Power Consumption	280VA (2.33A@120Vrms, 1.17A@240 Vrms)
Power Dissipation	140W max

Electrical (DC Option)	
Line Voltage	18-32 VDC
Input Current	6A max
Fuse	8A
Power Consumption	108 watts maximum

Agency Approvals	
c-UL-us	Class I, Division 2, Groups A,B,C,D, T4A temperature code, hazardous areas *
UR c-UR-us	UL 1950 Recognized Component, C-UL 950 Recognized Component
CE	LVD (73/23/EEC) EMC (89/336/EEC)

Note: To view the Declaration of Conformity, go to www.ab.com.

* Class I, Div 2 certification for all 6181 factory configurations, except when ordered with 1784-PKTX, 1784-PKTXD, 1784-PKTS, 6189-COMMCARD communication cards. These cards are not Class I, Div 2 rated.

CPU Specifications and BIOS Settings

Pentium CPU Card Specifications

The following tables list the specifications for the CPU used on the RAC6181 Computer:

Item	Description
Socket 7 Processor	Intel Pentium 166MHz Intel Pentium MMX 233MHz AMD K6-2 366MHz
BIOS	Phoenix OEM BIOS 256Kx8 flash EPROM (boot ROM)
Main Memory	Up to 256Mbytes DRAM (one 168 pin DIMM socket) 60ns 3.3V EDO / SDRAM with ECC 60 and 66MHz bus speeds
L2 Cache Memory	512KB pipeline burst static RAM
Chipsets	Acer M1531B North Bridge Acer M1543B South Bridge
Video Interface	Chips & Technologies CHIPS 65550 2Mbytes VGA local memory Internal LVDS interface to LCD panel External HD15 CRT (analog monitor) connector
Ethernet	PCI 10/100BaseT Intel 82559 MAC Filtered RJ-45 connector
Other CPU I/O	Two RS232 serial ports (COM1 and COM2*) <i>*COM2 is used by optional touchscreen interface</i> Parallel port (LPT1) Two PS/2 ports for keyboard & mouse connections Two USB ports

Item	Description
System Hardware Monitor	LM78 Monitor IC mapped to IRQ5, drives diagnostics LED Monitors following items: <ul style="list-style-type: none"> • 2.8V supply (CPU core) • 3.3V supply • $\pm 5V$ supply • $\pm 12V$ supply Internal temperature via DS1620 IC User-Configured via BIOS
Other Features	M5819 Real-Time-Clock chip with 256 bytes RAM MAX705 Watchdog Timer

Pentium III CPU Card Specifications

Item	Description
Socket 370 Processor	Celeron 300MHz (66MHz front side bus) Pentium III 600MHz (100MHz front side bus) Pentium III 733MHz (133MHz front side bus) Pentium III 866MHz (133MHz front side bus)
BIOS	Award Modular BIOS V6.00PG Field upgradeable
Main Memory	Up to 256MBytes DRAM (one 144-pin SODIMM socket) 100MHz and 133MHz 3.3V, non-ECC
L2 Cache Memory	Integrated into Celeron and Pentium III processors
Chipsets	Intel 815 chipset: <ul style="list-style-type: none"> • 82815E Graphic and Memory Controller Hub • 82801BA I/O Controller Hub • 82802AB Firmware Hub Winbond W83C628F/W83C629D PCI-ISA Bridge Winbond W83C627HF LPC Serial I/O
Video Interface	Intel 82815E ACP, integral video memory (uses system RAM) Internal LVDS interface to LCD panel External HD15 CRT (analog monitor) connector
Ethernet	PCI 10/100BaseT Intel 82559 MAC Filtered RJ-45 connector

Item	Description
Other CPU I/O	Two RS232 serial ports (COM1 and COM2*) *COM2 is used by optional touchscreen interface Parallel Port (LPT1) Two PS/2 ports for keyboard and mouse connections Two USB ports
System Hardware Monitor	Winbond W83C627HF LPC Serial I/O chip Monitors power supply voltages, fan speed, and temperature through application software or BIOS
Other Features	Internal real-time clock

BIOS Information

The RAC6181 Pentium CPU BIOS is a Phoenix OEM BIOS. The Pentium III CPU BIOS is an Award BIOS. It is contained in a flash EPROM, and can be upgraded in the field using a factory-provided DOS utility. The RAC6181 BIOS varies with the RAC6181 display option. The CPU card ships with the proper BIOS for the selected display. Note that exchanging CPU cards between units may cause BIOS incompatibilities.

Accessing the BIOS Setup Screen

The BIOS Setup screen can be entered during power-up by pressing the F2 key (Pentium CPU) or DEL key (Pentium III CPU) immediately following the RAM test. Because the keyboard is not buffered during this stage of power-up, the key may need to be repeatedly depressed to enter the BIOS Setup screen.

Note: You may need to determine the installed version of the BIOS before contacting technical support. The BIOS Setup screen displays the installed version of the BIOS.

Pentium CPU BIOS Setup Program

The BIOS Setup is a menu-driven program that allows the user to select from a variety of configurations. The set-up program contains descriptive information for each available configuration setting.

Because the RAC6181 Computer BIOS is field upgradeable, the exact BIOS settings may change with BIOS revisions. The following information may not include all the options in future BIOS revisions.

There are 5 main tabs in the BIOS Setup program:

- MAIN
- ADVANCED
- HARDWARE
- BOOT
- EXIT.

The following information shows the factory default settings for the RAC6181 Computer.

MAIN Tab	
System Time	(enter time here)
System Date	(enter date here)
Legacy Diskette A:	1.44/1.25MB 3.5
Primary Master	(shipped HDD size)
Primary Slave	(none)
Cache RAM	512K
System Memory	640KB
Extended Memory	(shipped RAM size)

ADVANCED Tab	
Backlight Timeout	15 minutes <i>(options are disabled, 30 seconds, 1 minute, 2 minutes, 4 minutes, 6 minutes, 8 minutes, 12 minutes, and 15 minutes)</i>
PCI Configuration <i>(allows user to reserve specific resources for ISA card)</i>	PCI/PNP ISA DMA Resource Exclusion – all available PCI/PNP IRQ Resource Exclusion – all available PCI/PNP ISA UMB Region Exclusion – if KTCX15 then D000-D3FF Reserved, Not Shadowed. Otherwise, all available
I/O Device Configuration	Serial Port A Auto Serial Port B Auto Mode Normal Parallel Port Auto Mode Bi-directional Floppy Disk Controller Enabled <i>(Use this setting to disable the RAC6181 floppy diskette drive)</i>
PS/2 Mouse	Auto Detect
Reset Configuration Data	No
Large Disk Access Mode	DOS
Secured Setup Configurations	No
Memory Parity Check	ECC
DMI Event Logging	View DMI event log Enter Event Logging Enabled Mark DMI events as read Enter Clear all DMI event logs No
Installed O/S	Other

HARDWARE Tab	
Enable Voltage Reading	Yes 3.3 Volts: 3.17 to 3.43 5 Volts: 4.75 to 5.25 12 Volts: 11.4 to 12.6 -5 Volts: -4.25 to -5.75 -12 Volts: -10.8 to -12.35
Enable Fan Speed	Yes
System Fan	2520 RPM minimum
Enable Temperature	Yes
Temperature	60C maximum

BOOT Tab	
1	diskette drive
2	removable devices
3	hard drive
4	ATAPI CDROM drive
Hard Drive	1. (current hard drive) 2. bootable add-in card
Removable Format	
EXIT Tab	
Exit saving changes	
Exit discarding changes	
Load setup defaults <i>(Use this setting to return to the RAC6181 BIOS to factory-default settings)</i>	
Discard changes	
Save changes	

Pentium III CPU Specifications and BIOS Settings

Pentium III SBC – BIOS Structure

Type: Award Modular BIOS V6.00PG

Version: 05/09/2001-i815E-W83627-6A69RD4JC-00

Menu:

- > Standard CMOS Features
- > Advanced BIOS Features Load Fail-Safe Defaults
- > Advanced Chipset Features Load Optimized Defaults
- > Integrated Peripherals Set Supervisor Password
- > Power Management Setup Set User Password
- > PnP/PCI Configurations Save & Exit Setup
- > PC Health Status Exit Without Saving

Standard CMOS Features

	Fail-Safe Defaults	Optimized Defaults	Selections
Date	N/C	N/C	
Time	N/C	N/C	
IDE Primary Master	Auto	Auto	None; Auto; Manual
IDE Primary Slave	Auto	Auto	None; Auto; Manual
Drive A	None	Auto	None; 360K/5.25in; 1.2M/5.25in; 720K/3.5in; 1.44M/3.5in; 2.88M/3.5in
Drive B	None	Auto	None; 360K/5.25in; 1.2M/5.25in; 720K/3.5in; 1.44M/3.5in; 2.88M/3.5in
Video	EGA/VGA	EGA/VGA	EGA/VGA; CGA40; CGA80; MONO
Halt On	All, But Keyboard	All, But Keyboard	All Errors; No Errors; All, But Keyboard; All, But Diskette; All, But Disk/Key

Advanced BIOS Features

	Fail-Safe Defaults	Optimized Defaults	Selections
Virus Warning	Enabled	Disabled	Enabled; Disabled
CPU Internal Cache	Enabled	Enabled	Enabled; Disabled
External Cache	Enabled	Enabled	Enabled; Disabled
CPU L2 Cache ECC Checking	Enabled	Enabled	Enabled; Disabled
Processor Number Feature	Enabled	Disabled	Enabled; Disabled
Quick Power On Self Test	Disabled	Enabled	Enabled; Disabled
First Boot Device	Floppy	Floppy	Floppy; LS120; HDD-0; SCSI; CDROM; HDD-1; HDD-2; HDD-3; ZIP100; LAN; Disabled
Second Boot Device	HDD-0	HDD-0	Floppy; LS120; HDD-0; SCSI; CDROM; HDD-1; HDD-2; HDD-3; ZIP100; LAN; Disabled
Third Boot Device	CDROM	CDROM	Floppy; LS120; HDD-0; SCSI; CDROM; HDD-1; HDD-2; HDD-3; ZIP100; LAN; Disabled
Fourth Boot Device	Disabled	LAN	Floppy; LS120; HDD-0; SCSI; CDROM; HDD-1; HDD-2; HDD-3; ZIP100; LAN; Disabled
Swap Floppy Drive	Disabled	Disabled	Enabled; Disabled
Boot Up Floppy Seek	Enabled	Disabled	Enabled; Disabled
Boot Up Numlock Status	On	On	On; Off
Gate A20 Option	Normal	Fast	Normal; Fast

Typematic Rate Setting	Disabled	Disabled	Enabled; Disabled
x Typematic Rate (Chars/sec)	6	6	6; 8; 10; 12; 15; 20; 24; 30
x Typematic Delay (Msec)	250	250	250; 500; 750; 1000
Security Option	Setup	Setup	Setup; System
OS Select For DRAM >64MB	Non-OS2	Non-OS2	Non-OS2; OS2
HDD Smart Capability	Disabled	Enabled	Enabled; Disabled
Report No FDD For WIN 95	No	No	No; Yes
Small Logo (EPA) Show	Disabled	Disabled	Enabled; Disabled

Advanced Chipset Features

	Fail-Safe Defaults	Optimized Defaults	Selections
SDRAM CAS Latency Time	3	3	2: 3
System BIOS Cacheable	Disabled	Disabled	Enabled; Disabled
Video BIOS Cacheable	Disabled	Disabled	Enabled; Disabled
Memory Hole At 15M-16M	Disabled	Disabled	Enabled; Disabled
CPU Latency Timer	Enabled	Enabled	Enabled; Disabled
Delayed Transaction	Disabled	Enabled	Enabled; Disabled
AGP Graphics Aperture Size	64MB	64MB	64MB; 32MB
On-Chip Video Window Size	64MB	64MB	64MB; Disabled
Display Device Select	CRT & LCD	CRT & LCD	CRT; LCD; CRT & LCD

Integrated Peripherals

	Fail-Safe Defaults	Optimized Defaults	Selections
On-Chip Primary PCI IDE	Enabled	Enabled	Enabled; Disabled
IDE Primary Master PIO	Auto	Auto	Auto; Mode 0; Mode 1; Mode 2; Mode 3; Mode 4
IDE Primary Slave PIO	Auto	Auto	Auto; Mode 0; Mode 1; Mode 2; Mode 3; Mode 4
IDE Primary Master UDMA	Disabled	Auto	Auto; Disabled
IDE Primary Slave UDMA	Disabled	Auto	Auto; Disabled
USB Controller	Enabled	Enabled	Enabled; Disabled
USB Keyboard Support	Disabled	Enabled	Enabled; Disabled
Init Display First	PCI Slot	Onboard/AGP	Onboard/AGP; PCI Slot
IDE HDD Block Mode	Disabled	Enabled	Enabled; Disabled
Onboard FDC Controller	Enabled	Enabled	Enabled; Disabled
Onboard Serial Port 1	3F8/IRQ4	3F8/IRQ4	Disabled; 3F8/IRQ4; 2F8/IRQ3; 3E8/IRQ4; 2E8/IRQ3; Auto
Onboard Serial Port 2	2F8/IRQ3	2F8/IRQ3	Disabled; 3F8/IRQ4; 2F8/IRQ3; 3E8/IRQ4; 2E8/IRQ3; Auto
Onboard Parallel Port	378/IRQ7	378/IRQ7	Disabled; 378/IRQ7; 278/IRQ5; 3BC/IRQ7
Parallel Port Mode	SPP	EPP	SPP; EPP; ECP; ECP & EPP
x EPP Mode Select	EPP 1.7	EPP 1.9	EPP 1.9; EPP 1.7
x ECP Mode Use DMA	3	3	1; 3

Power Management Setup

	Fail-Safe Defaults	Optimized Defaults	Selections
Power Management	User Define	User Define	User Define; Min Saving; Max Saving
Video Off Method	Blank Screen	DPMS	Blank Screen; V/H Sync & Blank; DPMS
Video Off In Suspend	No	No	Yes; No
Suspend Type	Stop Grant	Stop Grant	Stop Grant; Pwr On Suspend
MODEM Use IRQ	3	3	NA; 3; 4; 5; 7; 9; 10; 11
Suspend Mode	Disabled	Disabled	Disabled; 1 Min; 2 Min; 4 Min; 8 Min; 12 Min; 20 Min; 30 Min; 40 Min; 1 Hour
HDD Power Down	Disabled	Disabled	Disabled; 1 Min; 2 Min; 3 Min; 4 Min; 5 Min; 6 Min; 7 Min; 8 Min; 9 Min; 10 Min; 11 Min; 12 Min; 13 Min; 14 Min; 15 Min
CPU Thermal-Throttling	87.5%	50.0%	87.5%; 75.0%; 62.5%; 50.0%; 37.5%; 25.0%; 12.5%
** Reload Global Timer Events **			
Primary IDE 0	Disabled	Disabled	Enabled; Disabled
Primary IDE 1	Disabled	Disabled	Enabled; Disabled
FDD, COM, LPT Port	Disabled	Disabled	Enabled; Disabled
PCI PIRQ[A-D]#	Disabled	Disabled	Enabled; Disabled

PnP/PCI Configurations

	Fail-Safe Defaults	Optimized Defaults	Selections
PNP OS Installed	No	No	No; Yes
Reset Configuration Data	Enabled	Enabled	Enabled; Disabled
Resources Controlled By	Auto (ESCD)	Auto (ESCD)	Auto (ESCD); Manual
x IRQ Resources			
IRQ-3 Assigned to	PCI/ISA PnP	PCI/ISA PnP	PCI/ISA PnP; Legacy ISA
IRQ-4 Assigned to	PCI/ISA PnP	PCI/ISA PnP	PCI/ISA PnP; Legacy ISA
IRQ-5 Assigned to	PCI/ISA PnP	PCI/ISA PnP	PCI/ISA PnP; Legacy ISA
IRQ-7 Assigned to	PCI/ISA PnP	PCI/ISA PnP	PCI/ISA PnP; Legacy ISA
IRQ-9 Assigned to	PCI/ISA PnP	PCI/ISA PnP	PCI/ISA PnP; Legacy ISA
IRQ-10 Assigned to	PCI/ISA PnP	PCI/ISA PnP	PCI/ISA PnP; Legacy ISA
IRQ-11 Assigned to	PCI/ISA PnP	PCI/ISA PnP	PCI/ISA PnP; Legacy ISA
IRQ-12 Assigned to	PCI/ISA PnP	PCI/ISA PnP	PCI/ISA PnP; Legacy ISA
IRQ-14 Assigned to	PCI/ISA PnP	PCI/ISA PnP	PCI/ISA PnP; Legacy ISA
IRQ-15 Assigned to	PCI/ISA PnP	PCI/ISA PnP	PCI/ISA PnP; Legacy ISA

x DMA Resources			
DMA-0 Assigned to	PCI/ISA PnP	PCI/ISA PnP	PCI/ISA PnP; Legacy ISA
DMA-1 Assigned to	PCI/ISA PnP	PCI/ISA PnP	PCI/ISA PnP; Legacy ISA
DMA-3 Assigned to	PCI/ISA PnP	PCI/ISA PnP	PCI/ISA PnP; Legacy ISA
DMA-5 Assigned to	PCI/ISA PnP	PCI/ISA PnP	PCI/ISA PnP; Legacy ISA
DMA-6 Assigned to	PCI/ISA PnP	PCI/ISA PnP	PCI/ISA PnP; Legacy ISA
DMA-7 Assigned to	PCI/ISA PnP	PCI/ISA PnP	PCI/ISA PnP; Legacy ISA
Reserved Memory Base	N/A	N/A	N/A; C800; CC00; D000; D400; D800; DC00
Reserved Memory Length	16K	16K	8K; 16K; 32K; 64K
PCI/VGA Palette Snoop	Disabled	Disabled	Enabled; Disabled
PCI Slot 1 Assignment	Auto	Auto	Auto; 3; 4; 5; 7; 9; 10; 11; 12; 14; 15
PCI Slot 2 Assignment	Auto	Auto	Auto; 3; 4; 5; 7; 9; 10; 11; 12; 14; 15
PCI Slot 3 Assignment	Auto	Auto	Auto; 3; 4; 5; 7; 9; 10; 11; 12; 14; 15

PC Health Status

	Fail-Safe Defaults	Optimized Defaults	Selections
> Current System Temp	Not settable	Not settable	High Limit = 60°C/140°F
> Current CPU Temperature	Not settable	Not settable	High Limit = 75°C/165°F
> Current Fan Speed	Not settable	Not settable	
Enable Chassis Fan Beep	Enabled	Enabled	fixed
x Chassis Fan Low Limit Value	3500 RPM	3500 RPM	fixed
> CPU (V)	Not settable	Not settable	High Limit = 1.80 Low Limit = 1.40
> +1.5V	Not settable	Not settable	High Limit = 1.65 Low Limit = 1.35
> +3.3V	Not settable	Not settable	High Limit = 3.60 Low Limit = 2.90
> +5V	Not settable	Not settable	High Limit = 5.50 Low Limit = 4.50
> +12V	Not settable	Not settable	High Limit = 13.20 Low Limit = 10.80
> -12V	Not settable	Not settable	High Limit = -13.20 Low Limit = -10.80
> -5V	Not settable	Not settable	High Limit = -5.50 Low Limit = -4.50
> VBAT (V)	Not settable	Not settable	High Limit = 4.00 Low Limit = 2.50

Frequency/Voltage Control

	Fail-Safe Defaults	Optimized Defaults	Selections
Auto Detect DIMM/PCI Clk	Enabled	Enabled	Enabled; Disabled
Spread Spectrum	+/-0.5%	+/-0.5%	Disable; +/-0.5%; +/-0.25%; +/-0.38%
CPU Host/PCI Clock	Default	Default	Default; 100/100/33MHz; 103/103/34MHz; 105/105/35MHz; 110/110/36MHz; 115/115/38MHz
CPU Clock Ratio	x 3	x 3	x 3; x 3.5; x 4; x 4.5; x 5; x 5.5; x 6; x 6.5; x 7; x 7.5; x 8

Using a Touchscreen

Appendix Overview

This appendix describes how to configure a touchscreen to work with a RAC6181 Computer. Topics include:

- Installing touchscreen driver software
- Calibrating the touchscreen
- Touchscreen interface

RAC6181 Computers with Touchscreen

The RAC6181 Computer can be ordered with an optional touchscreen. The following table describes the touchscreen and controller board used for the RAC6181 Computer:

Value	Non-Keypad Version Description	12.1" Keypad Version Description
Manufacturer	Elo TouchSystems	Touchko, Inc.
Touchscreen	AccuTouch 5-wire resistive touchscreen	Touchko 5-wire resistive touchscreen
Touchscreen Controller	SmartSet Controller Model E271-2201	TKO 458r3

When a touchscreen is delivered with the RAC6181 Computer, the touchscreen is installed and the touchscreen controller is installed and connected.

Touchscreen Serial Port Usage

The optional touchscreen controller for a RAC6181 Computer connects internally to the COM2 serial port. The touchscreen is factory configured with the proper COM2 and touchscreen driver settings, so no user configuration is required. If for any reason these settings are corrupted, reset the COM2 serial port to 9600bps, 8 data bits, 1 stop bit, no parity.

Driver Software

The touchscreen driver is already loaded on the RAC6181 Computer. The driver software is also provided on a floppy diskette.

Note: The Elo TouchSystems touchscreen utility defaults to COM1 serial port setting. You must change this setting to COM2 when reloading the touchscreen driver.

Note: The 6181 12.1 inch keypad bezel computer uses a Touchko WIN32 touch screen application instead of an operating system driver. This means the touch screen is not active until after the operating system is completely booted. This application is factory configured to automatically start during the operating system boot. It is placed in the appropriate start-up folder for the Windows operating system.

If you have to reinstall the operating system, follow the instructions on page 3-6 to install the Touchko driver so that the touchscreen is activated when Windows starts.

Obtaining Further Information

Important: For more information on setting up or operating a touchscreen or for future driver upgrades, refer to the Elo TouchSystems web site: www.elotouch.com, or to the Touchko website: www.touchko.com.

Resistive Touchscreen Technology

Resistive touchscreens are activated by pressure applied to the touchscreen by an operator's finger. You can operate a resistive touchscreen while wearing gloves.



ATTENTION: Do not use sharp instruments to activate the touchscreen. Scratching the surface of the touchscreen could damage the unit.

Resistive touchscreens consist of two layers:

- A lower layer (glass substrate) with a resistive coating and a voltage applied
- An upper layer (cover sheet) with a conductive coating
- Clear spacer dots separate the two layers

When a user presses the upper layer onto the lower layer, the upper layer receives the voltage applied to the lower layer. The touchscreen controller detects the change in voltage on the upper layer and alternates voltage horizontally and vertically through the layers. The voltage transferred to the upper layer is proportional to the location of the touch on the screen.

Calibrating the Touchscreen

The touchscreen supplied with the RAC6181 Computer is factory installed and calibrated. In the event that you need to recalibrate the touchscreen, use the following procedure:

To calibrate the touchscreen:

1. Locate the Elo calibration utility in the Control Panel or insert the touchscreen driver diskette in the floppy drive of the RAC6181 Computer.
2. Using the appropriate commands for your operating system, run the Elo calibration utility.
3. Follow the instructions in the Elo calibration utility to complete the calibration process.

Maintenance

The touchscreen requires the following types of maintenance:

Routine Cleaning

Clean the surface of the touchscreen with any glass cleaning solution and a soft, nonabrasive cloth.

Note: Because the touchscreen is pressure-sensitive, directing a strong flow of water at the touchscreen during a washdown may activate the touchscreen.

Performing Field Service

If you must perform field service on the RAC6181 Computer, ensure that you plug the touchscreen cable into the controller board with the proper orientation:

1

- 10.4 in display version
 - dimensions, 2-4
- 12 in version with keypad
 - dimensions, 2-6
- 12.1 in display version
 - dimensions, 2-5
- 12.1 in keypad bezel operation, 10-1
 - Connecting a keyboard, 10-5
 - Installing the Keypad Configuration Utility, 10-5
 - Keypad default key assignments for programmable keys, 10-26
 - Keypad legend strips, 10-1
 - Setting up and using the Keypad Configuration Utility (KCU) software, 10-4
 - Using the Keypad Configuration Utility, 10-6

6

- 6181 Computer
 - connectors, 1-4, 1-5
 - features, 1-3
 - installation, 2-1
 - operating recommendations, 3-1
 - removing covers, 4-3
 - specifications, A-1
 - system checkout, 3-2
 - versions, 1-1

A

- Add-in cards
 - adding or removing, 4-1
 - thermal considerations, 4-2
- Air flow director, 4-7

B

- Back cover, removing, 4-3

Backlight

- dimming controls, 1-7
- removing the flat panel display, 9-2
- replacing tubes, 9-1
- replacing tubes, 12.1 in display version, 9-6
- replacing tubes, 12.1 in keypad version, 9-8

BIOS

- accessing the BIOS Setup screen, B-3
- hardware diagnostics, 11-1
- settings, B-3

C

CD-ROM

- connecting, 7-1
- expansion bay, 6-1

Clearances, 2-3

Connectors, 1-4, 1-5

CPU card. *See also* Add-in cards

CPU specifications, B-1

Cutout dimensions

- 10.4 in display version, 2-9
- 12.1 in display version, 2-10
- 12.1 in with keypad version, 2-11

D

Diagnostics, hardware, 11-1

Dimensions, 2-8

- 10.4 in display version, 2-4
- 12 in version with keypad, 2-6
- 12.1 in display version, 2-5
- non-display version, 2-7

Drive bay

- installing, 6-3
- removing, 6-2, 6-7
- replacing the floppy drive, 6-4

Drivers, touchscreen, 3-4, 3-5

Drives. *See* Drive bay, Hard drive, Floppy drive, Expansion bay

E

Ethernet connections, 2-18

Expansion bay

 exchanging drive cables, 6-5

 installing drives, 6-7

 installing or removing, 6-1

 installing the expansion bay, 6-7

F

Filter, chassis fan, 12-2

Floppy drive

 installing or removing, 6-1

 removing the drive bay, 6-2, 6-7

 replacing in the drive bay, 6-4

H

Hard drive

 installing or removing, 6-1

 removing the drive bay, 6-2, 6-7

I

Installation

 12.1 in keypad version, 2-16

 clearances, 2-3

 cutout dimensions, 2-9, 2-10, 2-11

 dimensions, 2-4, 2-5, 2-6, 2-7, 2-8

 EloTouch Systems Drivers, 3-4

 European Union Compliance, 2-1

 Installing a 6181 Computer Touchscreen Driver,
 3-4

 keyboard, 2-15, 2-16

 mounting clips, 2-13

 mounting hardware, 2-2

 mouse, 2-15, 2-16

 network, 2-18

 NT networking, 3-3

 panel mounting, 2-12, 2-13

 power, 2-17, 2-18

 tools required, 2-2

 Touchko touchscreen application, 3-5

K

Keyboard connections, 2-15, 2-16

Keypad, 10-7

Keypad Configuration Utility (KCU). *See* 12.1 in
 keypad bezel operation

L

LED indicators, 1-6, 11-1

 description, 1-6

M

Maintenance, 12-1

 cleaning the chassis fan filter, 12-2

 cleaning the display, 12-1

 Replacement parts, 12-4

 replacing the battery, 12-3

Memory modules

 installing or removing, 8-1

Mouse connections, 2-15, 2-16

N

Network connections, 2-18

Networking for NT workstations, 3-3

Non-display version

 dimensions, 2-7

O

Operation

 initial setup, 3-2

Operator access, 3-1

P

Panel mounting, 2-13

Power connections, 2-17, 2-18

Power supply

 AC, 5-4

DC, 5-5
installing or removing, 5-1, 5-2

R

RAM memory. *See* Memory modules
Replacement parts, 12-4

S

Setup, initial operation, 3-2
Specifications
CPU, B-1
General, A-1

T

Top cover, removing, 4-3
Touchscreen
Connecting, C-1
Drivers, 3-4, 3-5, C-1
Troubleshooting
check lists, 11-3
hardware diagnostics, 11-1
procedures, 11-2

U

Using, 10-6

V

Versions of 6181 Computers, 1-1. *See also* 10.4 in
display version, 12.1 in display version, 12.1 in
keypad version, Non-display version

IBM, AT and PS/2 are registered trademarks of IBM Corporation.

Microsoft, Windows and Windows NT are registered trademarks of Microsoft Corporation.

Pentium is a registered trademark of Intel Corporation.

Celeron is a trademark of Intel Corporation.

www.rockwellautomation.com

Power, Control and Information Solutions Headquarters

Americas: Rockwell Automation, 1201 South Second Street, Milwaukee, WI 53204-2496 USA, Tel: (1) 414.382.2000, Fax: (1) 414.382.4444

Europe/Middle East/Africa: Rockwell Automation, Vorstlaan/Boulevard du Souverain 36, 1170 Brussels, Belgium, Tel: (32) 2 663 0600, Fax: (32) 2 663 0640

Asia Pacific: Rockwell Automation, Level 14, Core F, Cyberport 3, 100 Cyberport Road, Hong Kong, Tel: (852) 2887 4788, Fax: (852) 2508 1846