

FIGURE 1
68-HP-FFMK
FURNITURE
FEED
MOUNTING
KIT

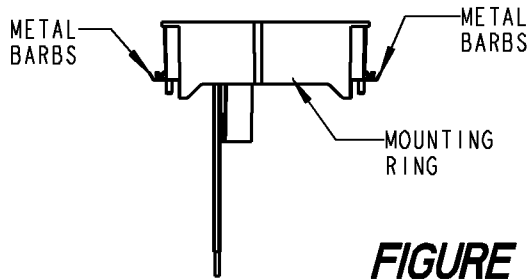


FIGURE 2
SIDE-VIEW OF
MOUNTING RING
SEE NOTE 9.

NOTES:

1. THE 68-HP-FFMK IS A COVER MOUNTING KIT USED TO MOUNT A 68-HP SERIES FURNITURE FEED COVER TO A 68-HP SERIES FLOOR BOX. SEE FIGURE 4.
2. INCLUDES FURNITURE FEED MOUNTING RING. SEE FIGURES 1 AND 3.
3. INCLUDES VOLTAGE DIVIDER TO SEPARATE POWER CONDUCTORS AND DATA CABLES. SEE FIGURES 1 AND 3.
4. INCLUDES GROUND WIRE TO GROUND METALLIC 68-HP SERIES FURNITURE FEED COVER.
5. REMOVABLE METALLIC BARBS ARE USED TO SECURE MOUNTING RING TO INSIDE WALLS OF BOX. MOUNTING RING CAN BE REMOVED IF NEEDED. SEE FIGURE 2.
6. SEE FIGURE 3 FOR PART DETAILS.
7. SEE RELATED SALES DRAWINGS:

WSD-000582	68-HP	NON-METALLIC BOX
WSD-000583	68-HP-CI	CAST IRON BOX
WSD-000587	68-HP-FFC-XXX	FURN FEED COVER KIT

CATALOG NO:
68-HP-FFMK
FURNITURE FEED MOUNTING KIT

GENERAL NOTES		<p>DESCRIPTION:</p> <p style="text-align: center;">68-HP-FFMK FURN FEED MTG KIT</p>			
<p>1. ALL DIMENSIONS ARE FOR REFERENCE ONLY.</p> <p>2. DIMENSIONS IN BRACKETS [] ARE IN METRIC UNITS.</p>					
REVISIONS		DESCRIPTION:			
1	SEE ERN 2013889 FOR APPROVAL SIGNATURES & RELEASE DATE. PROJECT NO: 5AM400388	ORIGINAL PROJECT NO / (ERN NO) UD55819 / (2011942)	SHEET NO: 1 OF 2	REV. NO: 1	DRAWING NO: WSD-000585

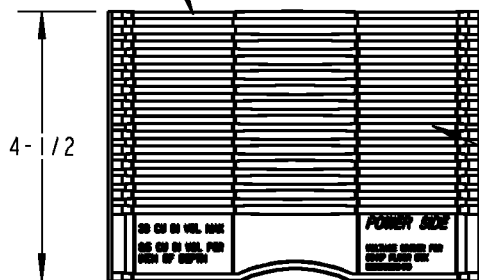
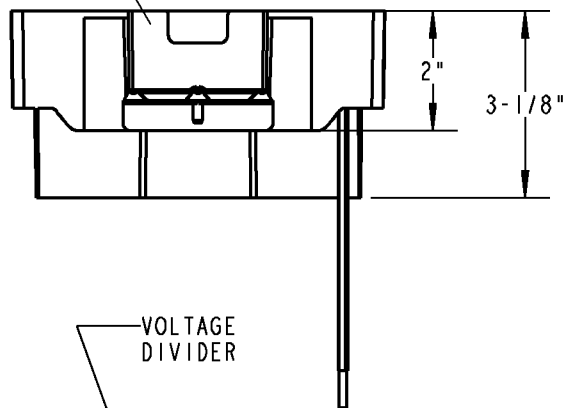
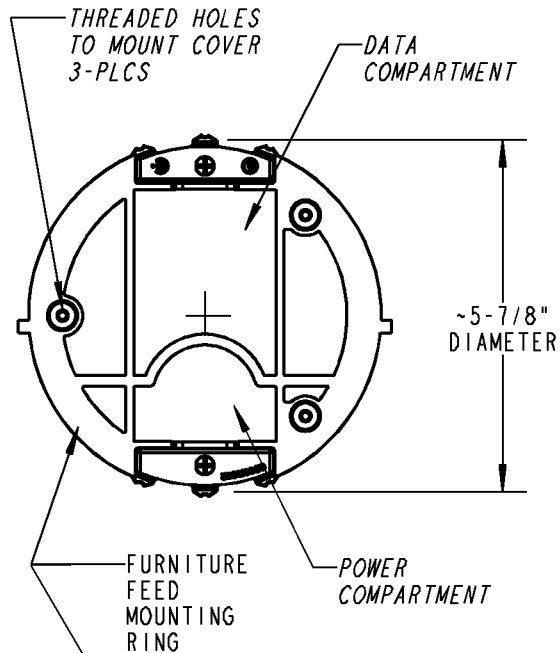


FIGURE 3
PARTS INCLUDED
IN KIT

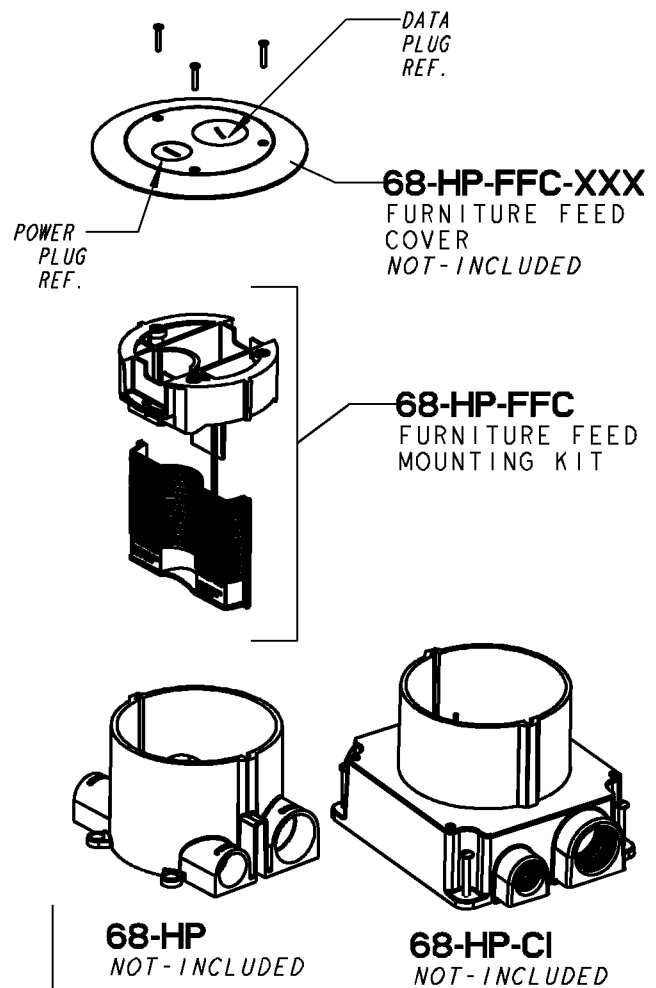


FIGURE 4
RELATED BOXES
AND COVER

Thomas & Betts
www.tnb.com

DESCRIPTION:

**68-HP-FFMK
FURN FEED MTG KIT**

SHEET NO:

2 OF 2

REV. NO:

1

DRAWING NO:

WSD-000585