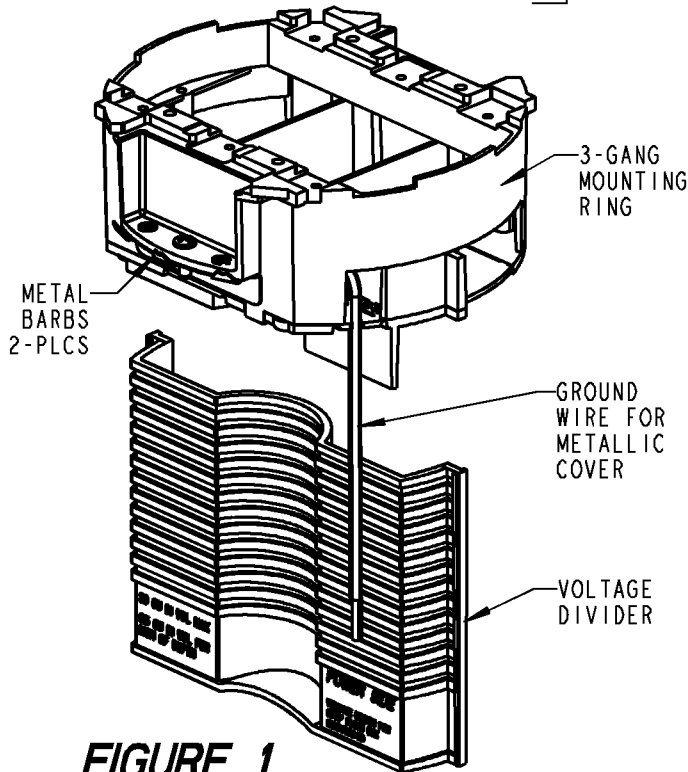


**FIGURE 2**  
 SIDE-VIEW OF MOUNTING RING  
 SEE NOTE 9.



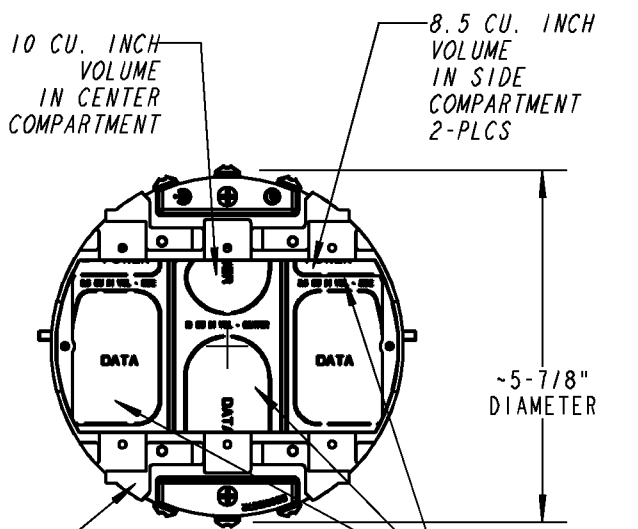
**FIGURE 1**  
 68-HP-FMK  
 3-GANG  
 MOUNTING  
 KIT

**NOTES:**

1. THE 68-HP-FMK IS A 3-GANG MOUNTING KIT USED TO MOUNT A 68-HP SERIES FLUSH COVER TO A 68-HP SERIES FLOOR BOX. SEE FIGURE 4.
2. MOUNTING RING ACCEPTS ANY 3 DECORA POWER RECEPTACLES OR DECORA DATA PLATES.
3. MOUNTING RING ACCEPTS 3 DUPLEX RECEPTACLES.
4. MOUNTING RING WILL ACCEPT ONLY 1 GFCI RECEPTACLE IN CENTER GANG.
5. INCLUDES 1 CENTER AND 2 SIDE DEVICE TRIM PLATES, SEE FIGURES 1 AND 3.
6. INCLUDES 3 DUPLEX TRIM PLATES, SEE FIGURES 1 AND 3.
7. INCLUDES VOLTAGE DIVIDER TO SEPARATE POWER CONDUCTORS AND DATA CABLES.
8. INCLUDES GROUND WIRE TO GROUND METALLIC 68-HP SERIES COVER.
9. REMOVABLE METALLIC BARBS ARE USED TO SECURE MOUNTING RING TO INSIDE WALLS OF BOX. MOUNTING RING CAN BE REMOVED IF NEEDED. SEE FIGURE 2.
10. SEE FIGURE 3 FOR PART DETAILS.
11. SEE RELATED SALES DRAWINGS:  
 WSD-000582 68-HP NON-METALLIC BOX  
 WSD-000583 68-HP-CI CAST IRON BOX  
 WSD-000586 68-HP-FC-XXX FLUSH COVER KIT
12. OTHER POWER AND TRIM PLATES AVAILABLE. SEE WSD-000588 OR CONTACT T&B TECHNICAL SERVICES DEPARTMENT.

CATALOG NO:  
**68-HP-FMK**  
**FLUSH MOUNTING KIT**

<b>GENERAL NOTES</b>		<b>Thomas &amp; Betts</b> www.tnb.com			
1. ALL DIMENSIONS ARE FOR REFERENCE ONLY. 2. DIMENSIONS IN BRACKETS [ ] ARE IN METRIC UNITS.					
<b>REVISIONS</b>		<b>68-HP-FMK FLUSH MOUNTING KIT</b>			
1. SEE ERN 2013889 FOR APPROVAL SIGNATURES & RELEASE DATE. PROJECT NO: 5AM400388		ORIGINAL PROJECT NO / ( ERN NO )	SHEET NO:	REV. NO:	DRAWING NO:
		UD55819 / ( 2011942 )	1 OF 2	1	<b>WSD-000584</b>



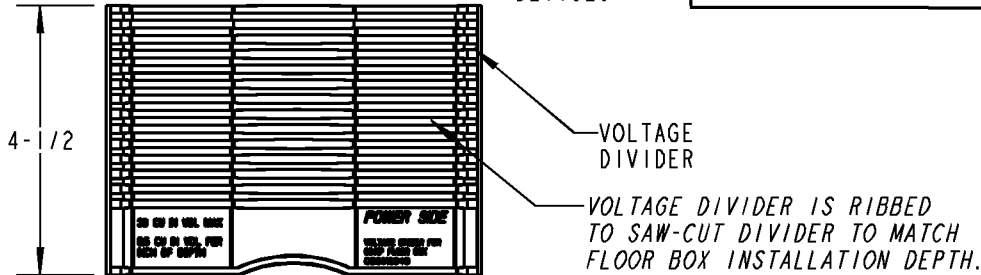
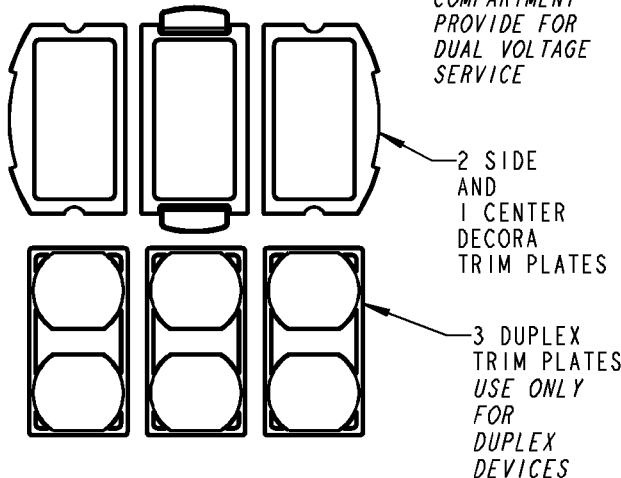
10 CU. INCH VOLUME IN CENTER COMPARTMENT

8.5 CU. INCH VOLUME IN SIDE COMPARTMENT 2-PLCS

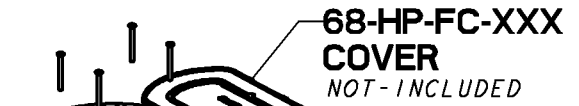
~5-7/8" DIAMETER

3-GANG MOUNTING RING

REMOVABLE POWER OR DATA KNOCKOUTS IN BOTTOM OF EACH COMPARTMENT PROVIDE FOR DUAL VOLTAGE SERVICE

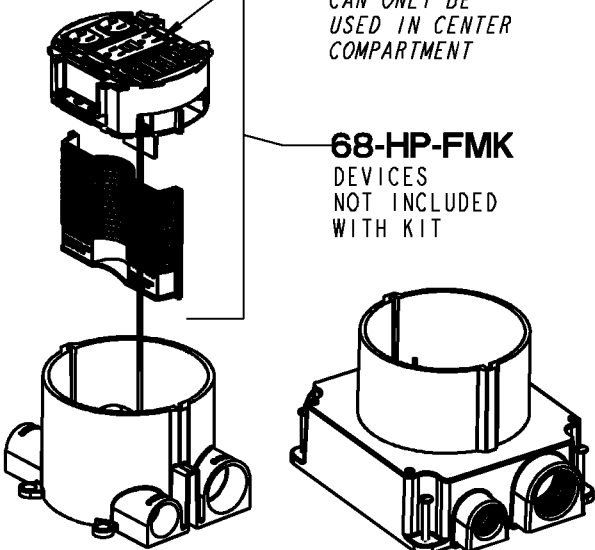


**FIGURE 3**  
PARTS INCLUDED IN KIT



**68-HP-FC-XXX COVER**  
NOT-INCLUDED

NOTE:  
GFCI DEVICE CAN ONLY BE USED IN CENTER COMPARTMENT



**68-HP-FMK DEVICES**  
NOT INCLUDED WITH KIT

**68-HP**  
NOT-INCLUDED

**68-HP-CI**  
NOT-INCLUDED

CAN BE USED WITH 68-HP OR 68-HP-CI FLOOR BOX

**FIGURE 4**  
RELATED BOXES AND COVER

**Thomas & Betts**  
www.tnb.com

DESCRIPTION: **68-HP-FMK FLUSH MOUNTING KIT**

SHEET NO: 2 OF 2	REV. NO: 1	DRAWING NO: <b>WSD-000584</b>
---------------------	---------------	----------------------------------

THIS DRAWING IS INTENDED FOR DESCRIPTIVE PURPOSES ONLY. AND THE RIGHT IS RESERVED TO DEVIATE FROM ANY OF THE DETAILS SHOWN HEREON. COPYRIGHT THOMAS & BETTS CORPORATION. ALL RIGHTS RESERVED. PROPRIETARY AND CONFIDENTIAL.