

Flush Service Floor Boxes

60W Series Floor Boxes

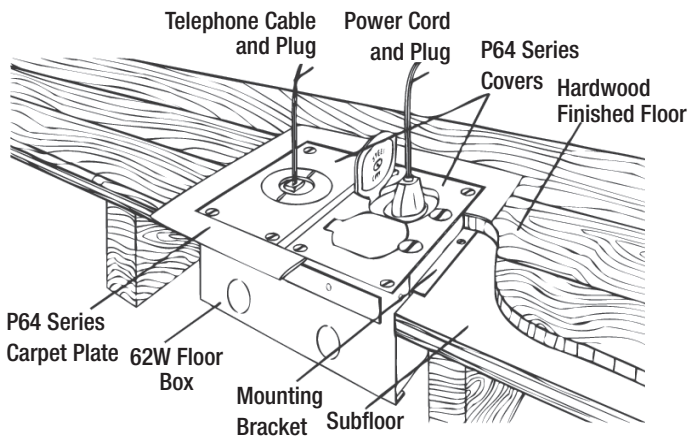


For Wood Subfloors!

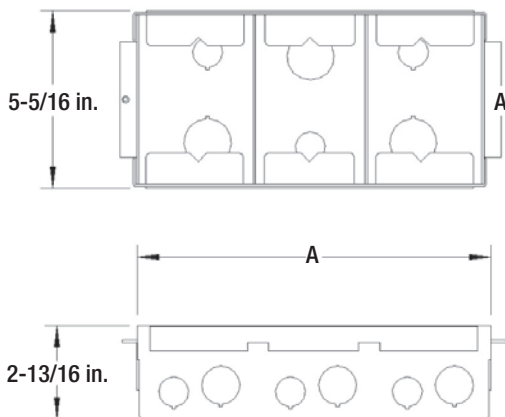
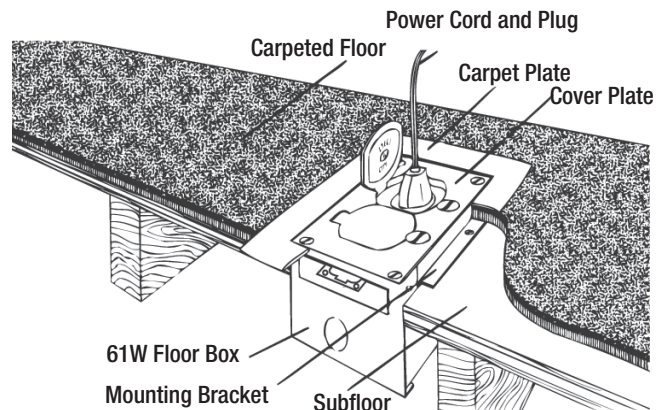
Steel City® 60W Series Floor Boxes provide single – and multi-gang solutions for wood subfloor applications.

- NEW! Three-gang configuration for high-capacity, multi-service installations.
- NEW! Larger KOs (3/4 in. & 1 in.) have been added to each gang for application flexibility.
- Adjustable mounting brackets allow for various finished floor-material heights (**hardwoods, tile or carpet**).

New Construction



Retrofit Construction (Old Work)



60W Series Floor Boxes

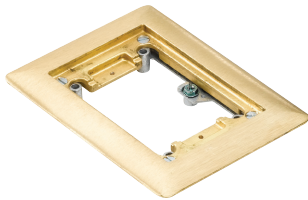


Cat. No.	Trade Size (in.)	Capacity	Std. Ctn.
61W	1-Gang Floor Box 3-11/16 in. Ends: (2) 1/2 in., (2) 3/4 in. Bottom: (1) 1/2 in., (1) 1 in.	31 cu. in.	1
62W	2-Gang Floor Box 7-1/16 in. Ends: (4) 1/2 in., (4) 3/4 in. Bottom: (2) 1/2 in., (2) 1 in.	60 cu. in.	
63W	3-Gang Floor Box 10-1/4 in. Ends: (6) 1/2 in., (6) 3/4 in. Bottom: (3) 1/2 in., (3) 1 in.	90 cu. in.	

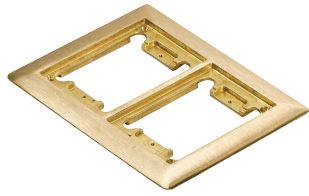
New

Flush Service Floor Boxes

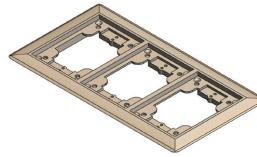
Metallic Carpet Plates for 60W Series



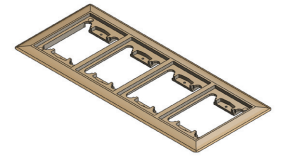
P64-CP



P64-2G-CP



P64-3G-CP



P64-4G-CP

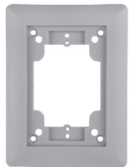


Cat. No.	Number of Gangs	Outside Dimension (in.)	Material	Std. Ctn.
P64-CP	1	4-5/8 x 6-1/8	Brass	4
P64-CP-AL			Aluminum	
P64-2G-CP	2	7-5/8 x 6-1/8	Brass	
P64-2G-CP-AL			Aluminum	
P64-3G-CP	3	10-5/8 x 6-1/8	Brass	
P64-3G-CP-AL			Aluminum	
P64-4G-CP	4	13-5/8 x 6-1/8	Brass	
P64-4G-CP-AL			Aluminum	

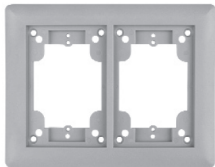
Nonmetallic Carpet Plates for 60W Series

- Translucent polycarbonate material
- Textured finish

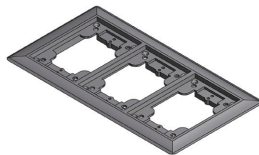
- To install LCP Series Plates, remove trim ring and place inside. Replace trim ring on box.



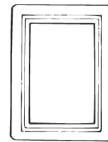
P64P-CP



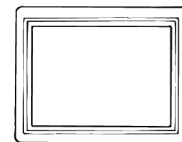
P64P-2G-CP



P64P-3G-CP



P64-LCP



P64-2LCP



P64-3LCP



Cat. No.	Number of Gangs	Description	Finish	Std. Ctn.
P64P-CP-BLK*	1	Single Gang Carpet Plate	Black	4
P64P-CP-GRY*			Grey	
P64P-CP-BGE*			Beige	
P64P-2G-CP-BLK	2	Two Gang Carpet Plate	Black	
P64P-2G-CP-GRY			Grey	
P64P-2G-CP-BGE			Beige	
P64P-3G-CP-BLK	3	Three Gang Carpet Plate	Black	
P64P-3G-CP-GRY			Grey	
P64P-3G-CP-BGE			Beige	
P64-LCP	1	Single Gang Carpet Plate	Clear	
P64-2LCP	2	Two Gang Carpet Plate		
P64-3LCP	3	Three Gang Carpet Plate		

* Not CSA Certified

Flush Service Floor Boxes

MopTite™ Cover Plates for 60W Series

- Polished-brass finish
- Furnished complete with sealing gasket and #8-32 x 7/16 in. brass screws
- 3 in. x 4-1/2 in. outside dimension

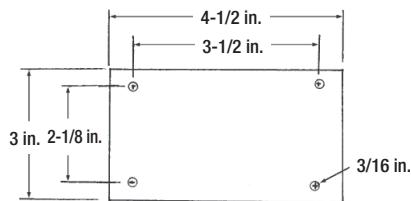


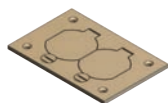
Plate Dimensions



P-64-3/4-AL
3/4 in. & 2 in. dia. plugs



P-64-2-5/8
2-5/8 in. dia. plug



P-64-DS
Duplex Lift Lids



P-64-DU
Duplex 1-7/16 in. plug



P-64-GFCI
Cover Plate GFCI Flip Lid



P-64-1/2
1/2 in. N.P.S. plug



P-64-3/4
3/4 in. N.P.S. plug



P-64-1
1 in. N.P.S. plug



P-64-1-1/4
1-1/4 in. N.P.S. plug



P-64-2
2 in. dia. plug



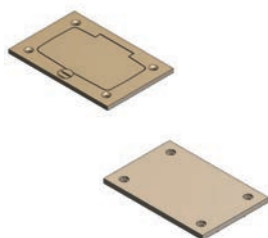
P-64-1/2-2
1/2 in. & 2 in. dia. plugs

Cat. No.	Description	Finish	Std. Ctn.
P-64-1/2	Cover Plate 1/2 in. N.P.S. Plug	Brass	4
P-64-1/2-AL		Aluminum	
P-64-3/4	Cover Plate 3/4 in. N.P.S. Plug	Brass	
P-64-3/4-AL		Aluminum	
P-64-1	Cover Plate 1 in. N.P.S. Plug	Brass	
P-64-1-AL		Aluminum	
P-64-1-1/4	Cover Plate 1-1/4 in. N.P.S. Plug	Brass	
P-64-1-1/4-AL		Aluminum	
P-64-2	Cover Plate 2 in. UN Plug	Brass	
P-64-2-AL		Aluminum	
P-64-1/2-2	Cover Plate 1/2 in. & 2 in. UN Plugs	Brass	
P-64-1/2-2-AL		Aluminum	
P-64-3/4-2	Cover Plate 3/4 in. & 2 in. UN Plugs	Brass	
P-64-3/4-2-AL		Aluminum	
P-64-2-5/8	Cover Plate 2-5/8 in. UN Plug	Brass	
P-64-2-5/8-AL		Aluminum	
P-64-DU	Cover Plate Duplex 1-7/16 in. Plug	Brass	
P-64-DU-AL		Aluminum	
P-64-DS	Cover Plate Duplex Lift Lid	Brass	
P-64-DS-AL		Aluminum	
P-64-GFCI	Cover Plate GFCI Flip Lid	Brass	
P-64-GFCI-AL		Aluminum	

New MopTite™ Covers exceeds UL Scrub-water exclusion requirements.

MopTite™ Nonmetallic Covers for 60W Series

- Furnished complete with sealing gasket and #8-32 x 7/16 in. screws
- 3 in. x 4-1/2 in. outside dimension



Cat. No.	Description	Finish	Std. Ctn.
P-64-P-URC-BLK	Universal Cover	Black	4
P-64-P-URC-GRY		Grey	
P-64-P-URC-BGE		Beige	
P-64-P-URC-BRN		Brown	
P-64-P-BP-BLK*	Blank Cover	Black	
P-64-P-BP-GRY*		Grey	
P-64-P-BP-BGE*		Beige	

*Not CSA Certified

New MopTite™ Covers exceeds UL Scrub-water exclusion requirements.

Flush Service Floor Boxes

Steel City® Single-Gang Residential Floor Box Kit



Brass finish with duplex receptacle



Nickel finish with GFCI receptacle

Single-Gang Residential Floor Box Kit for Wood Floors

Tired of tripping over extension cords? Look no further than the Steel City® Single-Gang Residential Floor Box Kit from Thomas & Betts. This affordable and conveniently packaged kit for the residential market provides power right where you need it most

- Kit includes switch box, cover, flange and tamper resistant receptacle
- Durable metallic covers and flanges are available in aesthetic brass or nickel finishes
- Available with duplex or GFCI tamper resistant receptacle
- MopTite™ covers meet scrub-water requirements for wood, tile and carpet
- 3 in. x 2 in. Switch Box is 3-1/2 in. deep with 18 cu. in. capacity
- Box includes integral nonmetallic sheathed cable clamps



Technical Specifications

- Material: Box – Galvanized Steel/Cover – Brass or Nickel plated Aluminum/Flange – Die-cast Zinc with Brass or Nickel finish



Cat. No.	Description	Finish	Std. Ctn.
71W-DS-C	Duplex Receptacle	Brass	4
71W-DS-N-C		Nickel	
71W-GFCI-C	GFCI Receptacle	Brass	
71W-GFCI-N-C		Nickel	

Flush Service Floor Boxes

Round Floor Boxes for Power or Communications: 68 Series

Features

- Stamped steel, concrete-tight, fully adjustable
- Electro-galvanized body and hardware
- Interior and exterior leveling screws permit adjustment to meet finished floor
- Shipped complete with expendable cap to prevent ingress of concrete during pour
- 1/2 in., 3/4 in. and 1 in. knockouts – all bottom knockouts are accessible
- Uses P60 Series MopTite™ covers and carpet plate
- For brushed aluminum, add AL after catalogue number

68 Series Floor Boxes provide flush service for power or communications/data.

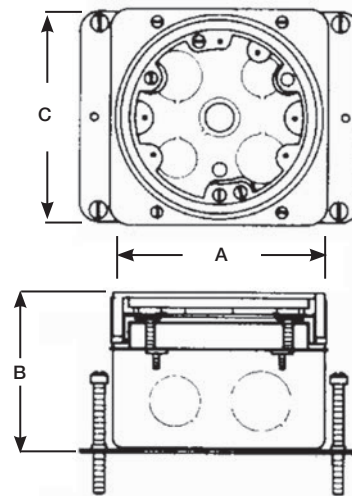
68 Series Floor Boxes can be used for **carpet or tile applications.**



68 Series — Stamped Steel



Cat. No.	Description	Std. Ctn
68-D	Deep	4
68-D-AL	Aluminum Deep	
68-S	Shallow	
68-S-AL	Aluminum Shallow	



Engineering Data — 68 Series



Cat. No.	Dimensions (in.)			Before Pour Adj. (in.)	After Pour Adj. (in.)	Maximum Capacity (cu. in.)	KOS (in.)	
	A	B	C				Sides	Bottom
68-D	4-1/4	3-5/8	4-11/16	2-1/2	1/2	60	(4) 3/4	(2) 1/2
68-S		2-3/4					(4) 1	(2) 3/4

Use P-60 Series covers and carpet plates. Wiring Device: Duplex, single or voice/data plates

Flush Service Floor Boxes

Round Floor Boxes for Power or Communications: 600 Series

Features

- Cast iron, watertight body, fully adjustable
- Painted silver enamel inside and out for additional corrosion resistance
- Interior and exterior leveling screws permit adjustment to meet finished floor
- Shipped complete with expendable cap to prevent ingress of concrete during pour
- 3/4 in. threaded conduit openings are standard
- Uses P60 Series MopTite™ covers and carpet plate
- For brushed aluminum, add AL after catalogue number

600 Series Floor Boxes provide flush service for power or communications/data. 600 Series Floor Boxes can be used **for carpet or tile applications.**



600 Series — Cast Iron

Cat. No.	Description	Std. Ctn.
600-SC	3/4 in. Conduit Tapping	4
600-AL-SC	Aluminum Trim Ring	
600-1-SC	1 in. Conduit Tapping	
600-2-SC	2 in. Conduit Tapping	
601-1/2-SC	1/2 in. Conduit Tapping	
601-SC	3/4 in. Conduit Tapping	
601-1	1 in. Conduit Tapping	
601-1-1/4	1-1/4 in. Conduit Tapping	
602-SC	3/4 in. Conduit Tapping	
603-SC	3/4 in. Conduit Tapping	
603-AL-SC	3/4 in. Conduit Tapping with Aluminum Trim Ring	
604-SC	3/4 in. Conduit Tapping	
604-AL-SC	3/4 in. Conduit Tapping with Aluminum Trim Ring	

P-60 Covers sold separately

Engineering Data — 600 Series

Cat. No.	Dimensions (in.)			Before Pour Adj. (in.)	After Pour Adj. (in.)	Maximum Capacity (cu. in.)	Standard Conduit Tapping (in.)	Maximum Conduit Tapping (in.)		KOS (in.)	
	A	B	C					w/Bushing	w/o Bushing	Sides	Bottom
600-SC	4-1/4	4-1/4	5-1/8	2-1/2	15/16	64	3/4	1-1/2	2	(4) 3/4	(2) 3/4
600-1-SC							1	1	1		
600-1-1/4							1-1/4	1-1/4	1-1/4		
600-2-SC							2	1-1/2	2		
601-SC	4-1/4	3-9/16	4	2-1/2	11/16	56	3/4	1	1-1/4	-	-
601-1							1	1	1		
601-1-1/4							1-1/4	1-1/4	1-1/4		
602-SC	4-1/4	3-1/32	4	2-1/2	11/16	36	3/4	3/4	1	-	-
603-SC		2-1/2							3/4		
604-SC		2							3/4		

Use P-60 Series covers and carpet plates. Wiring Device: Duplex, single or voice/data plates

Flush Service Floor Boxes

MopTite™ Carpet Plates for 68 and 600 Series



P-60-3/4-2-CACP

- Polished brass finish
- Carpet plate with 3/4 in. and 2 in. plugs
- Furnished complete with sealing gasket and 8-32 x 1 in. brass screws
- 5-3/4 in. outside diameter



P-60-CP

- Polished brass finish
- Furnished complete with 8-32 x 1 in. brass screws
- For brushed aluminum, add AL after catalogue number



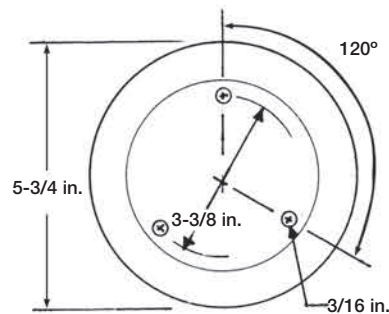
P-60-LCP

- Translucent polycarbonate
- Textured finish



P-60-CACP

- Polished brass finish
- Carpet plate with duplex hinged lift lids
- Furnished complete with sealing gasket and 8-32 x 1 in. brass screws
- 5-3/4 in. outside diameter



P-60-CACP-GFCI

- Polished brass finish
- Carpet plate with GFCI lift lids
- Furnished complete with sealing gasket and 8-32 x 1 in. brass screws
- 5-3/4 in. outside diameter

Cat. No.	Description	Finish	Std. Ctn.
P-60-CP	Carpet Plate, 5-11/16 in. diameter	Brass	4
P-60-CP-AL	Carpet Plate	Aluminum	
P-60-LCP	Carpet Plate, 5-3/8 in. diameter	Brass	
P-60-CACP	One-Piece Carpet Cover Plate	Brass	
P-60-CACP-AL	One-Piece Carpet Cover Plate	Aluminum	
P-60-3/4-2-CACP	One-Piece Carpet Plate with 3/4 in. – 2 in. Plugs	Polycarbonate	
P-60-3/4-2-CACP-AL	One-Piece Carpet Plate with 3/4 in. – 2 in. Plugs	Aluminum	
P-60-CACP-GFCI	One-Piece Carpet Plate for GFCI Devices	Brass	
P-60-CACP-GFI-AL	One-Piece Carpet Plate for GFCI Devices	Aluminum	

For replacement parts, please refer to pages C89 – C90.

Flush Service Floor Boxes

MopTite™ Carpet Plates for 68 and 600 Series

- Polished brass finish
- Furnished complete with sealing gasket and 8-32 x 7/16 in. brass screws
- 4 in. outside diameter



P-60-DS*
Hinged Lift Lids



P-60-DU*
Duplex 1-7/16 in. Lid

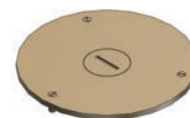


Cat. No.	Description	Finish	Std. Ctn.
P-60-1/2	1/2 in. N.P.S. Plug Size	Brass	4
P-60-1/2-AL		Aluminum	
P-60-3/4	3/4 in. N.P.S. Plug Size	Brass	
P-60-3/4-AL		Aluminum	
P-60-1	1 in. N.P.S. Plug Size	Brass	
P-60-1-AL		Aluminum	
P-60-1-1/4	1-1/4 in. N.P.S. Plug Size	Brass	
P-60-1-1/4-AL		Aluminum	
P-60-2	2 in. Diameter Plug Size	Brass	
P-60-2-AL		Aluminum	
P-60-2-5/8	2-5/8 in. Diameter Plug Size	Brass	
P-60-2-5/8-AL		Aluminum	
P-60-1/2-2	1/2 – 2 in. Diameter Plug Size	Brass	
P-60-1/2-2-AL		Aluminum	
P-60-3/4-2	3/4 – 2 in. Diameter Plug Size	Brass	
P-60-3/4-2-AL		Aluminum	
P-60-DR	With Duplex Lift Lid	Brass	
P-60-DS	For Duplex with Individual Lift Lids	Brass	
P-60-DS-AL		Aluminum	
P-60-DU	With Two 1-7/16 in. Plugs for Duplex	Brass	
P-60-DU-AL		Aluminum	
P-60-GFCI	For GFCI Devices	Brass	
P-60-GFCI-AL		Aluminum	

68P-FL or 68P-FL-AL required to attach cover plates to 68-P floor box
 New MopTite™ Covers exceed UL watertight requirements for 514A, 514C
 For replacement parts please refer to pages C89 – C90.



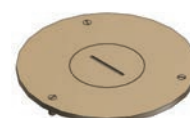
P-60-1/2
1/2 in. N.P.S. plug



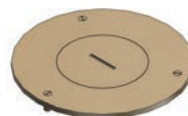
P-60-3/4
3/4 in. N.P.S. plug



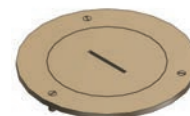
P-60-1
1 in. N.P.S. plug



P-60-1-1/4
1-1/4 in. N.P.S. plug



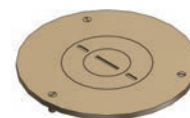
P-60-2*
2 in. dia. plug



P-60-2-5/8*
2-5/8 in. dia. plug



P-60-1/2-2*
1/2 in. & 2 in. dia. plugs



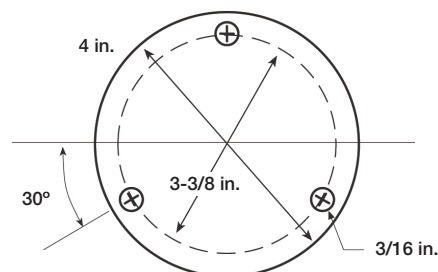
P-60-3/4-2*
3/4 in. & 2 in. dia. plugs



P-60-DR*
Duplex lift lid



P-60-GFCI*
For GFCI Devices



*Also includes steel seating plate for receptacles

Flush Service Floor Boxes

Floor Boxes for Single Short-Strap Receptacle or Communications

Features — 78 Series

- Cast iron, watertight body, semi-adjustable
- Painted silver enamel inside and out for additional corrosion resistance
- Exterior leveling screws and threaded vertical adjusting ring permit adjustment to meet finished floor
- Shipped complete with expendable cap to prevent ingress of concrete during pour
- 3/4 in. threaded conduit openings
- Uses P90 Series MopTite™ covers and carpet plate

Features — 88 Series

- Stamped steel, concrete-tight, semi-adjustable
- Electro-galvanized body and hardware
- Exterior leveling screws and threaded vertical adjusting ring permit adjustment to meet finished floor
- Shipped complete with expendable cap to prevent ingress of concrete during pour
- 1/2 in. and 3/4 in. knockouts – all bottom knockouts accessible
- Uses P90 Series MopTite™ covers and carpet plate

Service Fitting Application

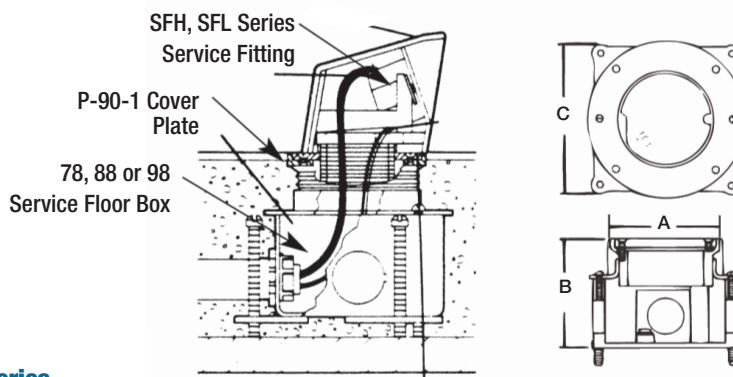
78 and 88 Series Floor Boxes provide flush service for power or communications and data. They can be used for either **carpet or tile applications**.



78 and 88 Series Floor Boxes



Cat. No.	Description	Std. Ctn.
78-SC	Cast-Iron Floor Box with 3/4 in. Conduit Tapping	4
78-S	Cast-Iron Floor Box (shallow)	
88-S	Shallow Version Stamped Steel	



Engineering Data — 78 and 88 Series



Cat. No.	Dimensions (in.)			Before Pour Adj. (in.)	After Pour Adj. (in.)	Maximum Capacity (cu. in.)	Standard Conduit Tapping (in.)	Maximum Conduit Tapping (in.)		KOS (in.)		Covers and Carpet Plates	Wiring Device
	A	B	C					w/Bushing	w/o Bushing	Sides	Bottom		
78-SC	3	2-13/16	3-7/8	2-1/2	3/4	24	3/4	1	-	-	P90 Series	Sing. Short, Strap rec.	
78-S		2-5/8		1-1/2		20							
88-S		2-3/4	5-3/4	1-1/2		23	-	-	(2) 1/2	(3) 1/2			(2) 3/4

Flush Service Floor Boxes

MopTite™ Cover Plates for 78 and 88 Series

- Polished brass finish
- Furnished complete with sealing gasket and 6-32 x 1/2 in. brass screws
- 2-13/16 in. outside diameter
- For brushed aluminum, add AL after catalogue number



P-90-1/2
1/2 in. N.P.S. plug



P-90-3/4
3/4 in. N.P.S. plug



P-90-1
1 in. N.P.S. plug



P-90-1-1/4
1-1/4 in. N.P.S. plug



P-90-2*
2 in. dia. plug



P-90-1/2-2*
1/2 in. & 2 in. dia. plugs



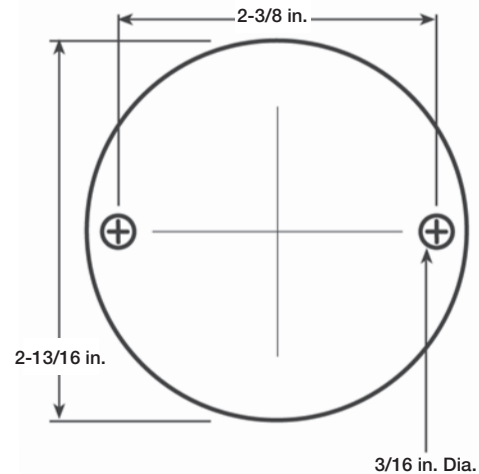
P-90-3/4-2*
3/4 in. & 2 in. dia. plugs

* Also includes steel seating plates for receptacles



Cat. No.	Cover Plate Description	Finish	Std. Ctn.
P-90-1/2	1/2 in. N.P.S. Plug Size	Brass	4
P-90-3/4	3/4 in. N.P.S. Plug Size		
P-90-3/4-AL			
P-90-1	1 in. N.P.S. Plug Size	Brass	
P-90-1-AL			
P-90-1-1/4	1-1/4 in. N.P.S. Plug Size	Brass	
P-90-1-1/4-AL			
P-90-2	2 in. Diameter Plug Size	Brass	
P-90-2-AL			
P-90-1/2-2	1/2 in. – 2 in. Diameter Plug Size	Brass	
P-90-3/4-2			
P-90-3/4-2-AL			

New MopTite™ Covers exceed UL watertight requirements for 514A, 514C
For above-floor service fittings for 78, 88 and 98 Series floor boxes, see page C84.



Accessories for 78 and 88 Series Floor Boxes



478-G-12

- 15 Amp, 125 Volt, NEMA grounding type
- Mounted on Steel Seating Plate
- For use with 2 in. diameter opening floor plate



8805-E

- Extends vertical adjusting ring 1-1/8 in.
- 7 cubic inch capacity



Cat. No.	Description	Std. Ctn.
8805-E	Extension Adjusting Ring	4
478-G-12	15 Amp 125 Volt NEMA Grounding Receptacle	

Will not accept P90 covers. Will accept 694 threaded plug

Carpet Plate for 78 and 88 Series Floor Boxes

- Polished brass finish
- Furnished complete with 6-32 in. x 1 in. brass flathead screws and gasket
- Threaded 2-20-UN-2B to accept 694 plug
- 3-3/8 in. O.D. with 5/8 in. flange
- For brushed aluminum, add AL after catalogue number



P-90-CP



Cat. No.	Description	Finish	Std. Ctn.
P-90-CP	Carpet Plate	Brass	4
P-90-CP-AL		Aluminum	

Flush Service Floor Boxes

Floor Boxes for single Short-Strap Receptable or Communications



672

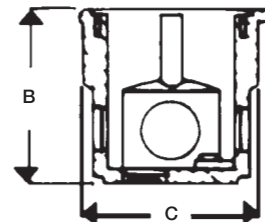
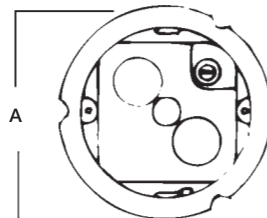


671SC

671 and 672 Floor Boxes

671 and 672 Series Floor Boxes provide flush service for power, communications and data. They can be used in either wood or concrete floors and are suitable **for carpet, tile or wood applications.**

- Cast iron, watertight body, non-adjustable
- Painted silver enamel inside and out for additional corrosion resistance
- For use in wood or concrete floors
- 1/2 in. and 3/4 in. threaded conduit openings; uses P67 Series covers
- Cat. No. 672 is the 671 floor box with factory-mounted 15 ampere, 125 Volt, NEMA grounding receptacle and P67-2 MopTite™ cover plate



Engineering Data — 671 and 672 Series

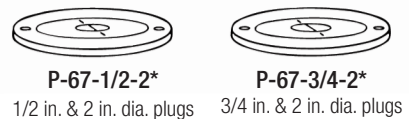
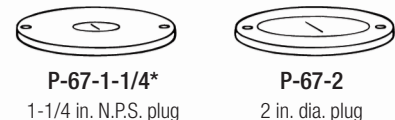
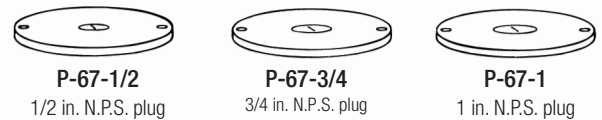
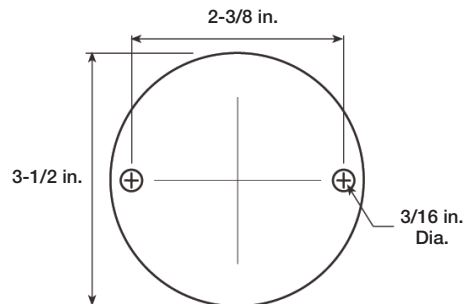


Cat. No.	Dimensions (in.)			Maximum Capacity (cu. in.)	Maximum Conduit Tapping (in.)		Conduit KO's (in.)		Wiring Device	Std. Ctn.
	A	B	C		Tapping	w/o Bushing	Sides	Bottom		
671 SC	3-1/2	3	2-31/32	13	3/4	3/4	2 - 1/2	2 - 1/2	Sing. Short Strap rec.	4
672		3-3/16					2 - 3/4			

Flush Service Floor Boxes

MopTite™ Cover Plates for 671 and 672 Series

- Polished brass finish
- Furnished complete with sealing gasket and 6-32 x 1/2 in. brass screws
- 3-1/2 in. outside diameter



*Also includes seating plate for receptacle



Cat. No.	Description	Finish	Std. Ctn.
P-67-1/2	Cover Plate with 1/2 in. N.P.S. Plug	Brass	4
P-67-3/4*	Cover Plate with 3/4 in. N.P.S. Plug		
P-67-3/4-AL	Cover Plate with 3/4 in. N.P.S. Plug	Aluminum	
P-67-1*	Cover Plate with 1 in. N.P.S. Plug	Brass	
P-67-1-AL*	Cover Plate with 1 in. N.P.S. Plug	Aluminum	
P-67-1-1/4	Cover Plate with 1-1/4 in. N.P.S. Plug	Brass	
P-67-2	Cover Plate with 2 in. UN Threaded Plug	Aluminum	
P-67-2-AL	Cover Plate with 2 in. UN Threaded Plug		
P-67-1/2-2*	Cover Plate with 1/2 in. & 2 in. Plug	Brass	
P-67-3/4-2	Cover Plate with 3/4 in. & 2 in. Plug		

* Not CSA Certified

Accessories for 671 and 672 Series Floor Boxes



478-G-12

- 15 Amp, 125 Volt, NEMA grounding type
- Mounted on steel seating plate
- For use with 2 in. diameter opening floor plate



P-67-F

- Use brass edge ring for neat appearance when non-adjustable floor box is installed in concrete
- Edge ring has 3-3/4 in. OD and adds 3/8 in. to floor box height



Cat. No.	Description	Std. Ctn.
P-67-F	Edge Ring	4
478-G-12	15 Amp 125 Volt NEMA Grounding Receptacle	

Carpet Plate for 671 and 672 Series Floor Boxes

- Polished brass finish
- Furnished complete with 6-32 in. x 1 in. brass flathead screws and gasket
- 3-3/8 in. O.D. with 5/8 in. flange
- For brushed aluminum, add AL after catalogue number



P-90-CP



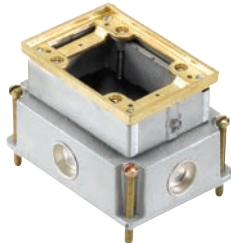
Cat. No.	Description	Finish	Std. Ctn.
P-90-CP	Carpet Plate	Brass	4
P-90-CP-AL		Aluminum	

Flush Service Floor Boxes

Multi-Gang Floor Boxes for Power and Communications

Features — 640 Series

- Cast iron, watertight body, fully adjustable
- Painted silver enamel inside and out for additional corrosion resistance
- Interior and exterior leveling screws permit adjustment to meet finished floor
- Removable partitions for large capacity requirements on 2-, 3- and 4- gang
- Shipped complete with expendable cap to prevent ingress of concrete during pour
- 3/4 in. threaded conduit openings are standard
- Uses P64 Series MopTite™ covers (one cover per gang)
- For brushed aluminum, add AL after catalogue number



641



842SC

Features — 840 Series (shallow)

- Cast iron, watertight body, fully adjustable
- Painted silver enamel inside and out for additional corrosion resistance
- Exterior leveling screws for adjustment to finished floor
- Removable partitions for large capacity requirements on 2- and 3- gang
- Shipped complete with expendable cap to prevent ingress of concrete during pour
- 3/4 in. threaded conduit openings are standard
- Uses P64 Series MopTite™ covers (one cover per gang)
- For brushed aluminum, add AL after catalogue number

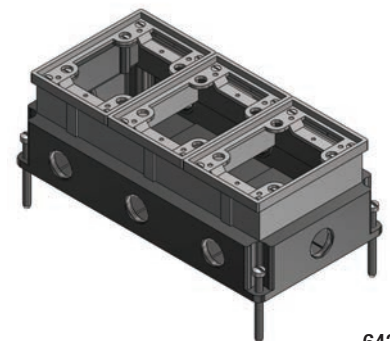


640 and 840 Series Floor Boxes provide flush service for power, communications and data. Multiple-gang boxes enable the user to place high- and low-voltage in a single floor box. Floor boxes up to four-gangs are available. 640 and 840 Series boxes can be used for either **carpet or tile applications**.

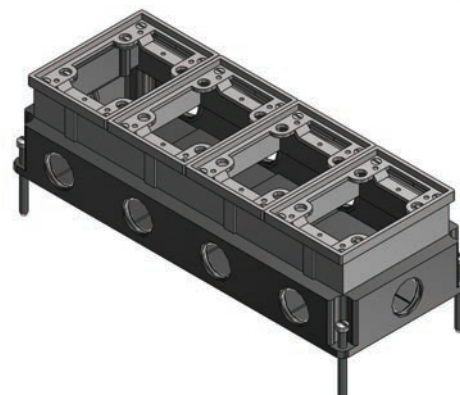
Cat. No.	Description	Std. Ctn.
641	Single-Gang Floor Box with 3/4 in. Conduit Tapping	4
641-1	Single-Gang Floor Box with 1 in. Conduit Tapping	
641-AL	Single-Gang with Aluminum Trim	
SP-641-1-AL*	Single-Gang Floor Box with 1 in. Conduit Tapping and Aluminum Tile Trim	
642	Two-Gang Floor Box with 3/4 in. Conduit Tapping	2
642-1	Two-Gang Floor Box with 1 in. Conduit Tapping	
642-AL	Two-Gang with Aluminum Trim	
SP-642-1-AL*	Two-Gang Floor Box with 1 in. Conduit Tapping and Aluminum Tile Trim	
643	Three-Gang Floor Box with 3/4 in. Conduit Tapping	1
643-1	Three-Gang Floor Box with 1 in. Conduit Tapping	
643-AL	Three-Gang Floor Box with Aluminum Trim	
SP-643-1-AL*	Three-Gang Floor Box with 1 in. Conduit Tapping and Aluminum Tile Trim	
644	Four-Gang Floor Box with 3/4 in. Conduit Tapping	4
644-AL	Four-Gang Floor Box with Aluminum Trim	
841-SC	Single-Gang Floor Box with 3/4 in. Conduit Tapping	
841-AL	Single-Gang Floor Box with Aluminum Trim	
842-SC*	Two-Gang Floor Box with 3/4 in. Conduit Tapping	2
842-AL-SC	Two-Gang Floor Box with Aluminum Trim	
843-SC	Three-Gang Floor Box with 3/4 in. Conduit Tapping	1
843-AL-SC	Three-Gang Floor Box with Aluminum Trim	

* Not CSA Certified

Boxes supplied with brass tile trim unless otherwise specified



643



644

Flush Service Floor Boxes

MopTite™ Cover Plates for 640 and 840 Series

- Polished brass finish
- Furnished complete with sealing gasket and 8-32 x 7/16 in. brass screws
- 3 in. x 4-1/2 in. outside dimensions
- For brushed aluminum, add AL after catalogue number

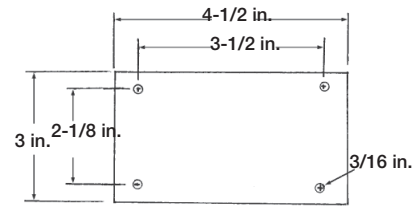
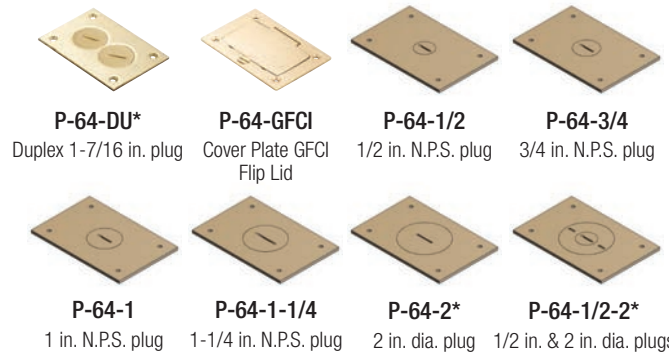
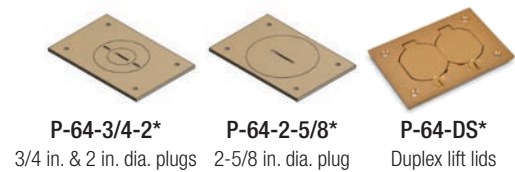
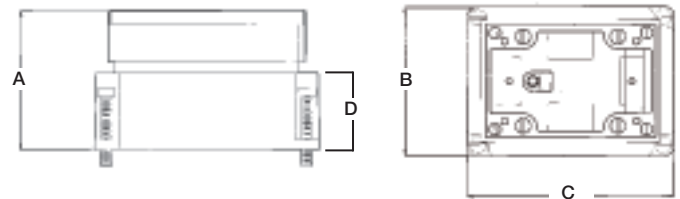


Plate Dimensions

Cat. No.	Description	Finish	Std. Ctn.
P-64-1/2	Cover Plate 1/2 in. N.P.S. Plug	Brass	4
P-64-1/2-AL		Aluminum	
P-64-3/4	Cover Plate 3/4 in. N.P.S. Plug	Brass	
P-64-3/4-AL		Aluminum	
P-64-1	Cover Plate 1 in. N.P.S. Plug	Brass	
P-64-1-AL		Aluminum	
P-64-1-1/4	Cover Plate 1-1/4 in. N.P.S. Plug	Brass	
P-64-1-1/4-AL		Aluminum	
P-64-2	Cover Plate 2 in. UN Plug	Brass	
P-64-2-AL		Aluminum	
P-64-1/2-2	Cover Plate 1/2 & 2 in. UN Plug	Brass	
P-64-1/2-2-AL		Aluminum	
P-64-3/4-2	Cover Plate 3/4 & 2 in. UN Plug	Brass	
P-64-3/4-2-AL		Aluminum	
P-64-2-5/8	Cover Plate 2-5/8 in. UN Plug	Brass	
P-64-2-5/8-AL		Aluminum	
P-64-DU	Cover Plate Duplex 1-7/16 in. Plugs	Brass	
P-64-DU-AL		Aluminum	
P-64-DS	Cover Plate Duplex Lift Lid	Brass	
P-64-DS-AL		Aluminum	
P-64-GFCI	Cover Plate GFCI Flip Lid	Brass	
P-64-GFCI-AL		Aluminum	



*Also includes seating plate for receptacle like others



New MopTite™ Covers exceeds UL scrub-water exclusion requirements for 514A, 514C

Engineering Data — 640 and 840 Series



Cat. No.	Dimensions (in.)				Before Pour Adj. (in.)	After Pour Adj. (in.)	Number of Gangs	Maximum Capacity KOS (cu. in.)	Standard Conduit Tapping (in.)	Maximum Conduit Tapping (in.)	
	A	B	C	D						w/Bushing	w/o Bushing
641	3-5/8	4	5-1/2	1-7/8	2-1/2	5/8	1	35	3/4	1	1-1/4
642		7					2	37 per gang			
643		10					3	37 per gang			
644	1/2	12-15/16	1-11/16	1-1/2	-	-	4	37 per gang	3/4	3/4	3/4
841-SC	2	4					1	15			
842-SC		7					2	16.5 per gang			
843-SC		10	3	16.5 per gang							

For replacement parts, please refer to pages C89 – C90
Use P64 Series covers and carpet plates. Wiring Device: Duplex, single or voice/data plates

Flush Service Floor Boxes

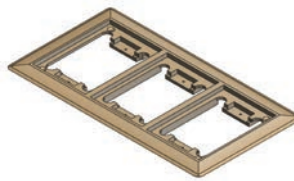
Metallic Carpet Plates for 640 and 840 Series



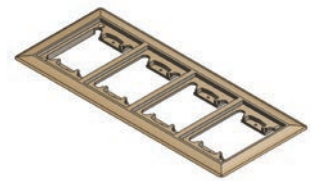
P64-CP



P64-2G-CP



P64-3G-CP



P64-4G-CP

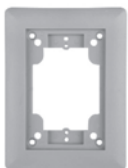


Cat. No.	Number of Gangs	Outside Dimension (in.)	Finish	Std. Ctn.
P64-CP	1	4-5/8 x 6-1/8	Brass	4
P64-CP-AL	1		Aluminum	
P64-2G-CP	2	7-5/8 x 6-1/8	Brass	
P64-2G-CP-AL	2		Aluminum	
P64-3G-CP	3	10-5/8 x 6-1/8	Brass	
P64-3G-CP-AL	3		Aluminum	
P64-4G-CP	4	13-5/8 x 6-1/8	Brass	
P64-4G-CP-AL	4		Aluminum	

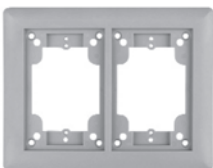
Nonmetallic Carpet Plates for 640 and 840 Series

- Translucent polycarbonate material
- Textured finish

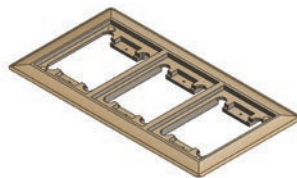
- To install LCP Series Plates, remove trim ring and place inside. Replace trim ring on box.



P64P-CP



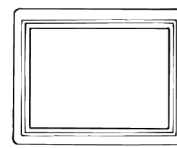
P64P-2G-CP



P64P-3G-CP



P64-LCP



P64-2LCP



P64-3LCP



Cat. No.	Number of Gangs	Description	Colour	Std. Ctn.
P64-CP-BLK*	1	Single Gang Carpet Plate	Black	4
P64-CP-GRY*			Grey	
P64-2G-BGE*			Beige	
P64P-2G-CP-BLK	2	Two Gang Carpet Plate	Black	
P64P-2G-CP-GRY			Grey	
P64P-2G-CP-BGE			Beige	
P64P-3G-CP-BLK	3	Three Gang Carpet Plate	Black	
P64P-3G-CP-GRY			Grey	
P64P-3G-CP-BGE			Beige	
P64-LCP	1	Single Gang Carpet Plate	Clear	
P64-2LCP	2	Two Gang Carpet Plate		
P64-3LCP	3	Three Gang Carpet Plate		

*Not CSA Certified
For replacement parts please refer to pages C89 – C90

Flush Service Floor Boxes

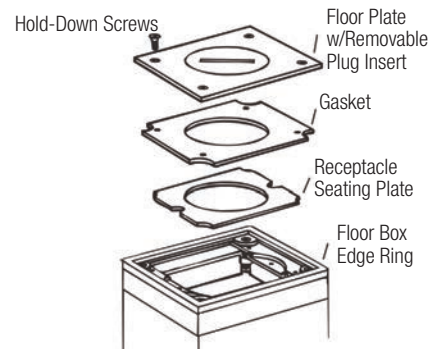
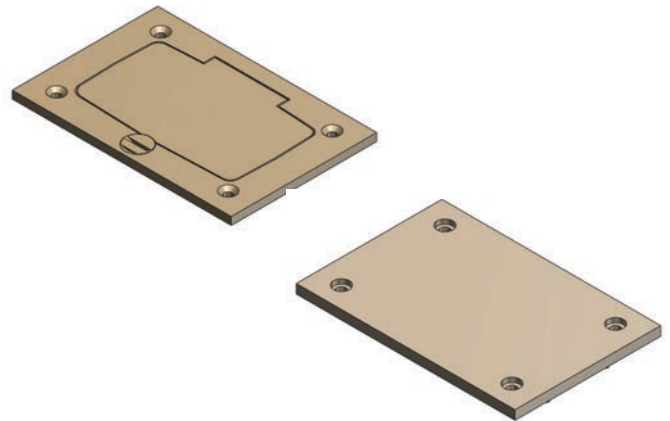
MopTite™ Cover Plates for 60W Series

- Furnished complete with sealing gasket and #8-32 x 7/16 in. brass screws
- 3 in. x 4-1/2 in. outside dimension



Cat. No.	Description	Colour	Std. Ctn.
P-64-P-URC-BLK	Universal Cover	Black	4
P-64-P-URC-GRY		Grey	
P-64-P-URC-BGE		Beige	
P-64-P-BP-BLK*	Blank Cover	Black	
P-64-P-BP-GRY*		Grey	
P-64-P-BP-BGE*		Beige	

*Not CSA Certified
New MopTite™ Covers exceed UL scrub-water exclusion requirements



Floor Plate Plug Inserts



Cat. No.	Description	Std. Ctn.
690-SC	1/2 in. – 14 N.P.S. Thread	4
691-SC	3/4 in. – 14 N.P.S. Thread	
692-SC	1 in. – 11-1/2 N.P.S. Thread	
693-SC	1-1/4 in. – 11-1/2 N.P.S. Thread	
694	2 in. – 20 UN Thread	
695	1/2 in. – 2 in.	
696-SC	3/4 in. – 2 in.	
697*	2-5/8 in. – 20 UN Thread	
698*	1-7/16 in. for Duplex Plug	

*CSA not applicable. Catalogue numbers are for brass.
For aluminum, add AL after catalogue number



692-SC



695

Gaskets for Floor Plate Assemblies



Cat. No.	Description	Std. Ctn.
SP650*	P-64 Series Floor Plate Assemblies	4
SP651*	P-64 DU Floor Plate Assemblies	10
SP-P64-DS-P2	P-64 DS Floor Plate Assemblies	4

*CSA not applicable



Flush Service Floor Boxes

740 Series – Multiple-Gang Floor Boxes for Power and Communications



Features

- Available in shallow (2-5/8 in. and deep 3-5/8 in.) versions
- Available in one-, two- and three-gang versions
- Two- and three-gang boxes are supplied with customer-installed dividers
- 16 ga. pre-galvanized steel construction
- Adjustable with four exterior leveling legs capable of 2 in. pre-pour adjustment and an interior leveling ring capable of 1-1/4 in. after pour adjustment
- Made with a variety of KOs ranging from 1/2 in. to 1-1/4 in.
- Boxes utilize the 640P Series metallic and nonmetallic floor box accessories with the unique one-step installation method
- Shipped with expendable steel cap to prevent ingress of concrete at installation

The new 740 Series line of stamped-steel floor boxes are an extension of T&B's industry-leading 640 and 840 Series cast-iron floor boxes. The new boxes provide flush service for power, communications and data. Multiple-gang boxes allow the user to place high- and low-voltage in a single floor box. The 740 Series can be used for **carpet or tile applications**.



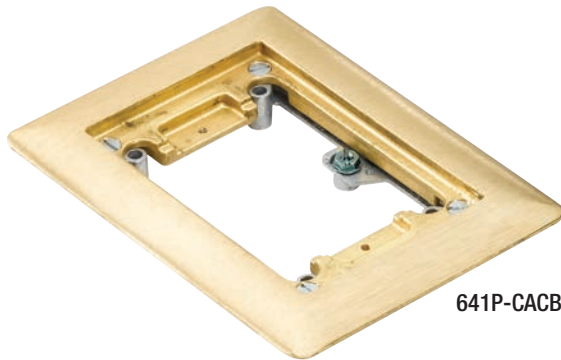
Cat. No.	Description	Std. Ctn.
741-S	Shallow One-Gang	4
742-S	Shallow Two-Gang	1
743-S	Shallow Three-Gang	1
741-D	Deep One-gang	4
742-D	Deep Two-gang	1
743-D	Deep Three-gang	1

Engineering Data — 740 Series

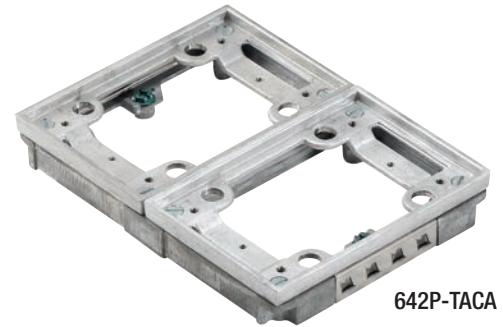
Cat. No.	Dimensions (in.)			Before Pour Adj. (in.)	After Pour Adj. (in.)	Capacity per Gang	Maximum Conduit Tapping (in.)		
	A	B	C				Sides	Ends	Bottom
741-S	4	5-1/2	2-5/8	2	1-1/2	29 cu. in.	(2) 3/4	(2) 1/2	(1) 1/2 and (1) 3/4
742-S	7-1/4					26 cu. in.	(4) 3/4	(2) 1/2	(2) 1/2 and (2) 3/4
743-S	10-1/4					26 cu. in.	(6) 3/4	(2) 1/2	(3) 1/2 and (3) 3/4
741-D	4		3-5/8			48 cu. in.	(2) 3/4	(2) 1-1/4	(1) 3/4 and (1) 3/4
742-D	7-1/4					41 cu. in.	(4) 3/4	(2) 1-1/4	(2) 3/4 and (2) 3/4
743-D	10-1/4					41 cu. in.	(6) 3/4	(2) 1-1/4	(3) 3/4 and (3) 3/4

Flush Service Floor Boxes

Carpet and Tile Activations for 740 Series



641P-CACB



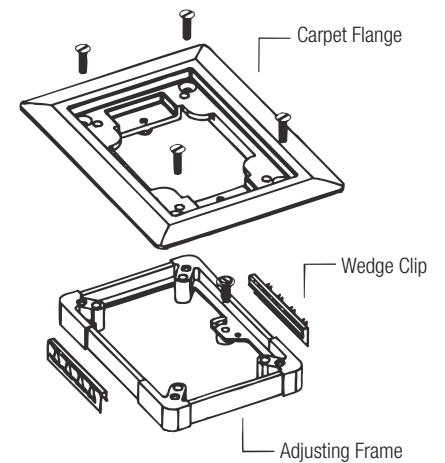
642P-TACA



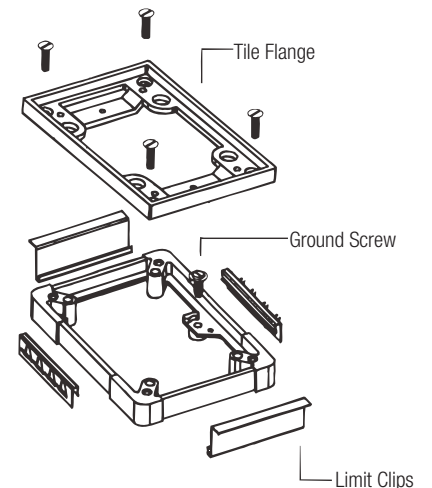
Cat. No.	Description	Finish	Std. Ctn.
Carpet Activations for 740 Series			
641P-CACA	One-Gang	Aluminum	4
641P-CACB		Brass	
641P-CAC-BGE		Beige	
641P-CAC-BLK		Black	
641P-CAC-GRY		Grey	
641P-CAC-BRN		Brown	
642P-CACA	Two-Gang	Aluminum	
642P-CACB		Brass	
642P-CAC-BGE		Beige	
642P-CAC-BLK	Two-Gang, Nonmetallic	Black	
642P-CAC-GRY		Grey	
643P-CACA	Three-Gang	Aluminum	
643P-CACB		Brass	
643P-CAC-BGE		Beige	
643P-CAC-BLK		Black	
643P-CAC-GRY		Grey	
Tile Activations for 740 Series			
641P-TACA	One-Gang	Aluminum	4
641P-TACB		Brass	
641P-TAC-BGE		Beige	
641P-TAC-BLK		Black	
641P-TAC-GRY		Grey	
642P-TACA	Two-Gang	Aluminum	
642P-TACB		Brass	
642P-TAC-BGE		Beige	
642P-TAC-BLK	Two-Gang, Nonmetallic	Black	
642P-TAC-GRY		Grey	
643P-TACA	Three-Gang	Aluminum	
643P-TACB		Brass	
643P-TAC-BGE		Beige	
643P-TAC-BLK		Black	
643P-TAC-GRY		Grey	

For replacement parts please refer to pages C89 – C90

Carpet Activation Kit



Tile Activation Kit



Flush Service Floor Boxes

MopTite™ Cover Plates for 740 Series

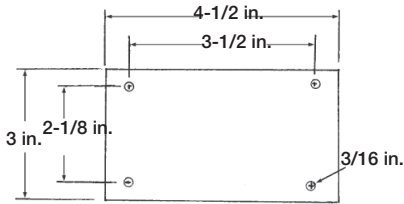
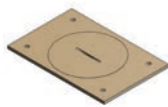


Plate Dimensions

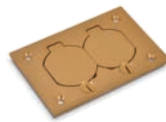
- Polished brass finish
- Furnished complete with sealing gasket and 8-32 x 7/16 in. brass screws
- 3 in. x 4-1/2 in. outside diameter



P-64-3/4-2*
3/4 in. & 2 dia. plugs



P-64-2-5/8*
2-5/8 in. dia. plug



P-64-DS*
Duplex Lift Lids



P-64-DU*
Duplex 1-7/16 in. plug



P-64-GFCI
Cover Plate GFCI
Flip Lid



P-64-1/2
1/2 in. N.P.S. plug



P-64-3/4
3/4 in. N.P.S. plug



P-64-1
1 in. N.P.S. plug



P-64-1-1/4
1-1/4 in. N.P.S. plug



P-64-2*
2 in. dia. plug



P-64-1/2-2*
1/2 & 2 in. dia. plugs

*Also includes seating plate for receptacle



Cat. No.	Description	Finish	Std. Ctn.
P-64-1/2	1/2 in. N.P.S. Plug	Brass	4
P-64-1/2-AL		Aluminum	
P-64-3/4	3/4 in. N.P.S. Plug	Brass	
P-64-3/4-AL		Aluminum	
P-64-1	1 in. N.P.S. Plug	Brass	
P-64-1-AL		Aluminum	
P-64-1-1/4	1-1/4 in. N.P.S. Plug	Brass	
P-64-1-1/4-AL		Aluminum	
P-64-2	2 in. UN Plug	Brass	
P-64-2-AL		Aluminum	
P-64-1/2-2	1/2 & 2 in. UN Plug	Brass	
P-64-1/2-2-AL		Aluminum	
P-64-3/4-2	3/4 & 2 in. UN Plug	Brass	
P-64-3/4-2-AL		Aluminum	
P-64-2-5/8	2-5/8 in. Plugs	Brass	
P-64-2-5/8-AL		Aluminum	
P-64-DU	Duplex 1-7/16 in. Plugs	Brass	
P-64-DU-AL		Aluminum	
P-64-DS	Duplex Lift Lid	Brass	
P-64-DS-AL		Aluminum	
P-64-GFCI	GFCI Flip Lid	Brass	
P-64-GFCI-AL		Aluminum	

New MopTite™ Covers exceeds UL scrub-water exclusion requirements for 514A, 514C
For replacement parts, please refer to pages C89 – C90

Flush Service Floor Boxes

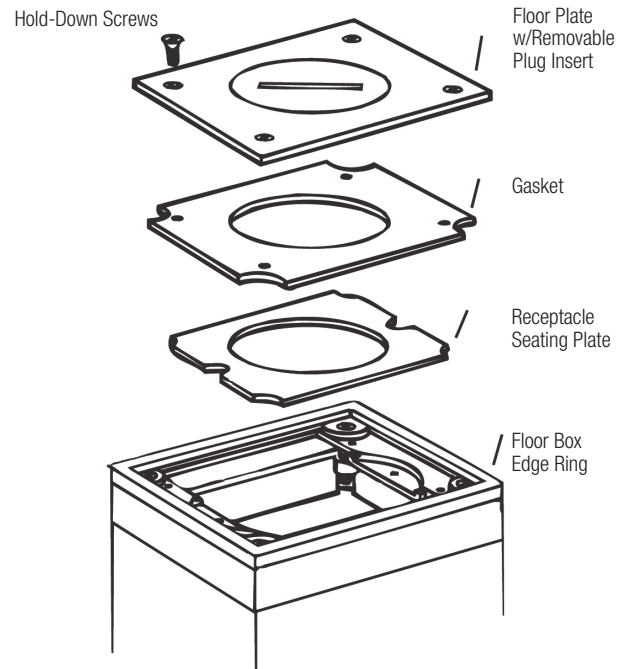
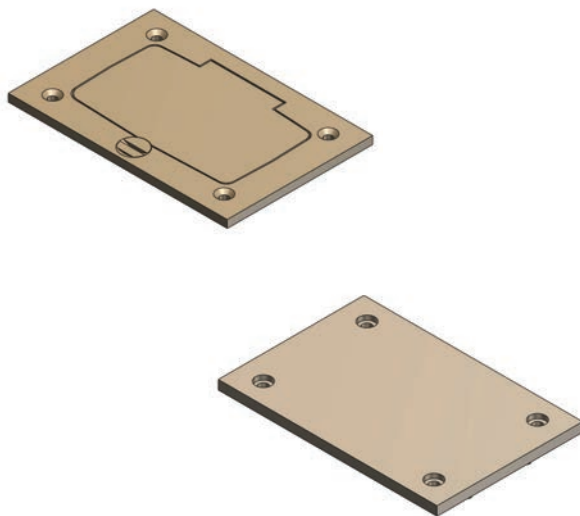
MopTite™ Nonmetallic Covers for 740 Series

- Furnished complete with sealing gasket and 8-32 x 7/16 in. brass screws
- 3 in. x 4-1/2 in. outside dimension



Cat. No.	Description	Finish	Std. Ctn.
P-64-P-URC-BLK	Universal Cover	Black	4
P-64-P-URC-GRY		Grey	
P-64-P-URC-BGE		Beige	
P-64-P-BP-BLK*	Blank Cover	Black	
P-64-P-BP-GRY*		Grey	
P-64-P-BP-BGE*		Beige	

* Not CSA Certified
 New MopTite™ Covers exceed UL scrub-water exclusion requirements



Flush Service Floor Boxes

Round Floor Boxes for Power and Communications: 68-HP Series

New



Innovative 3-Gang Round Floor Box for Power, Data and AV

LARGEST IN THE INDUSTRY

Unmatched flexibility to configure any combination of power and communications devices.

Combines the **Capacity** of a 3-gang box with the **Affordability** of a round nonmetallic floor box.

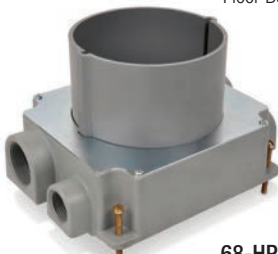
- Accepts standard devices from any manufacturer, including duplex, GFCI, locking, hospital grade or isolated ground receptacles
- Accommodates a wide variety of multi-media devices through the use of rectangular adapters
- 6 in. diameter round nonmetallic floor box — the largest in the industry
- Large inline hubs for power and data wiring: 1 in. for power, 1-1/2 in. for data



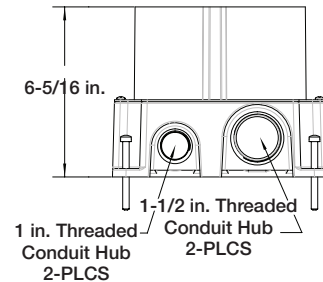
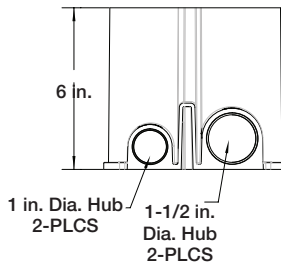
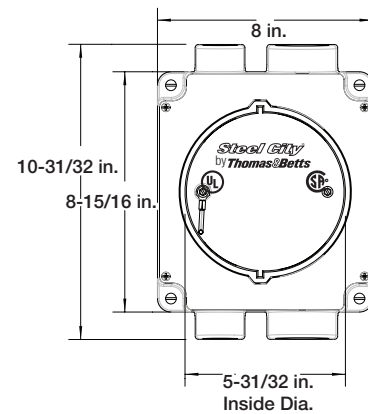
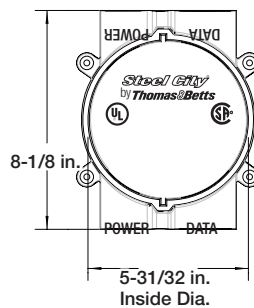
68-HP Floor Boxes



68-HP
6 in. Round Nonmetallic Floor Box



68-HP-Cl
Cast Iron Floor Box with 6 in. Round Nonmetallic Collar



Cat. No.	Description	Minimum Concrete Depth		Std. Ctn.
		Flush (in.)	Furniture Feed (in.)	
68-HP	6 in. Round Nonmetallic Floor Box	4	3-1/2	4
68-HP-Cl	Cast Iron Floor Box with 6 in. Round Nonmetallic Collar	4-1/2	4	1

Flush Service Floor Boxes

Flush Covers for 68-HP Series

68-HP-FC-BRS

- Slide latch for tool-less access to devices
- Lid lies flat when box is in use
- Requires Flush Mounting Kit (Cat. No. 68-HP-FMK) to mount cover

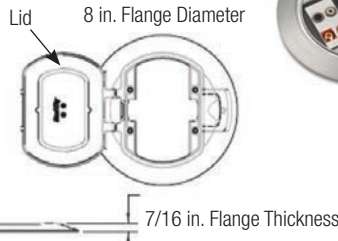


68-HP-FC-ALM

Solid aluminum cover with brushed finish

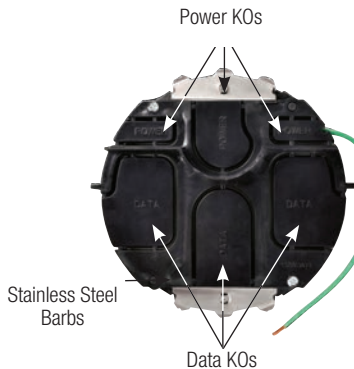


68-HP-FC-BLK



Cat. No.	Description	Std. Ctn.
68-HP-FC-ALM	Flush Cover — Solid Aluminum with Brushed Finish, 1,000 lb. Load Rating	4
68-HP-FC-BRS	Flush Cover — Solid Brass with Brushed Finish, 1,500 lb. Load Rating	
68-HP-FC-BLK	Flush Cover — Solid Aluminum with Black Powder-Coated Finish, 1,000 lb. Load Rating	

Flush Mounting Kit for 68-HP Series and Accessories



Kit includes:

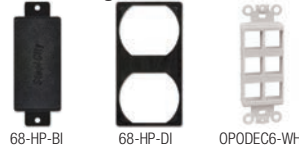
- Mounting Frame
- Voltage Divider
- (3) Device Plates
 - (1) Center Plate: GFCI/Rectangular
 - (2) Side Plates: Rectangular
- (3) Duplex Inserts

Optional Accessories

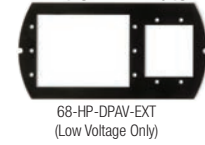
Device Plates



Regular Inserts



Extron® AV Plate



Cat. No.	Description	Std. Ctn.
68-HP-FMK	Mounting Kit for Flush Covers	4
68-HP-DPC-GFCI	Center Device Plate – GFCI/Rectangular Receptacle	10
68-HP-DPS-DEC	Side Device Plate – Rectangular Receptacle	
68-HP-DPC-R	Center Device Plate – Single Round Receptacle, 1-5/8 in. Opening	
68-HP-DPC-2MAAP	Center Device Plate – 2 Extron® MAAP Plates*	
68-HP-DPS-2MAAP	Side Device Plate – 2 Extron® MAAP Plates*	
68-HP-BI	Rectangular Insert – Blank (for unused compartments)	5
68-HP-DI	Rectangular Insert – Duplex Receptacle	
OPODEC6-WH	Rectangular Adapter for GFCI/Rectangular Device Plate – 6 Port Data, Keystone, White**	5
68-HP-DPAV-EXT	Extron® AV Plate – 3 AAP Plates, 2 MAAP Plates*	1

*Extron® MAAP Plates purchased from an authorized Extron® distributor. Extron® is a registered trademark of RGB Systems, Incorporated
 ** Additional rectangular adapters available for low voltage applications

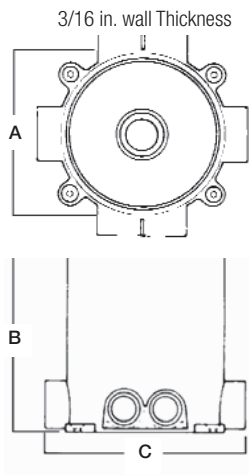
Flush Service Floor Boxes

68-P – Round Nonmetallic Floor Box



The 68-P floor box provides flush service for power, communications and data. The nonmetallic floor box is used in concrete floors and is suitable for **carpet, tile or wood applications**.

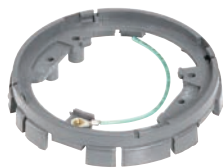
- High-strength rigid PVC construction, non-corrosive
- Easy installation with no leveling required – just cut the box level with the concrete after the pour
- Compatible with standard-schedule PVC conduit (1 in., 3/4 in. and 1/2 in. reducers included)
- Pre-packaged with concrete cap and six hub plugs



Cat. No.	Dimensions (in.)			After Pour Adj. (in.)	Maximum Capacity (cu. in.)	Standard Conduit Tapping (in.)	Covers and Carpet Plates	Wiring Device	Std. Ctn.
	A	B	C						
68-P	5-5/32	6	6-3/8	None	100	(4) 3/4 (2) 1	P60 P68 Series	Single Duplex or data/voice	8

Minimum pour 3 inches
Cubic in. capacity is 17 cubic inches per inch of box height
Note: must use 68-PAR to attach cover plates to 68-P floor box

Adjusting Ring for 86-P Floor Box



Cat. No.	Description	Std. Ctn.
68-PAR	Nonmetallic Adjusting Ring	8

Nonmetallic adjusting ring includes pigtail and clips
Required to mount P60 and P68 Series covers to 68P floor box (not needed for dual-voltage kits)

Metallic Tile Trims for 68-P Floor Box



- Tile trim rings are available in brass or aluminum for flush installation of metallic plates in linoleum, wood or carpeted floors. Must be used to mount P60 Series plates (Not required for P68 covers, P60-CACP, P60-CACP-AL or P60-3/4-2-CACP)



Cat. No.	Description	Std. Ctn.
68P-FL	Metallic Tile Trims	8

Required to attach P60 cover plates to 68-P floor box

Flush Service Floor Boxes

MopTite™ Metallic Carpet Plates for 68-P Series

- Polished brass finish
- Furnished complete with 8-32 x 1 in. brass screws
- For brushed aluminum, add AL after catalogue number



P-60-CACP



P-60-3/4-2-CACP

One-piece solid-brass communications carpet plate. 4-3/4 in. O.D. Mounting holes 3-3/8 in. dia.



P-60-CACP-GFCI



P-60-CP



Cat. No.	Description	Finish	Std. Ctn.
P-60-CP•	Carpet Plate, 5-11/16 in. diameter	Brass	4
P-60-CP-AL•	Carpet Plate	Aluminum	
P-60-CACP	One-Piece Carpet Plate	Brass	
P-60-CACP-AL		Aluminum	
P-60-3/4-2-CACP	One-Piece Carpet Plate with 3/4 in. - 2 in. Plugs	Brass	
P-60-3/4-2-CACP-AL		Aluminum	
P-60-CACP-GFCI•	One-Piece Carpet Plate for GFCI Devices	Brass	
P60-CACP-GFI-AL•		Aluminum	

• Requires 68P-FL or 68P-FL-AL to attach covers to 68-P Floor Box
 New MopTite™ Covers exceed UL watertight requirements for 514A, 514C

MopTite™ Nonmetallic Carpet Plates for 68-P Series

Nonmetallic, single receptacle plate (SRC) with matching carpet plate and cover. 6 in. O.D.



1-13/32 in. Dia. Opening

Nonmetallic floor service cover (FSC) with 1 in. screw plug accommodates most above-floor service fittings with matching carpet plate. 6 in. O.D.



Nonmetallic, duplex/voice data receptacle plates (DRC) with matching carpet plate and cover. 6 in. O.D.



Cat. No.	Description	Colour	Std. Ctn.
P-68-SRC-GRY	For Single Receptacle	Grey	4
P-68-SRC-BRN		Brown	
P-68-SRC-BGE		Beige	
P-68-SRC-BLK		Black	
P-68-FSC-GRY	With 1 in. N.P.S. Screw Plug	Grey	
P-68-FSC-BRN		Brown	

Cat. No.	Description	Colour	Std. Ctn.
P-68-FSC-BGE	With 1 in. N.P.S. Screw Plug	Beige	4
P-68-FSC-BLK		Black	
P-68-DRC-GRY	For Duplex Receptacle	Grey	
P-68-DRC-BRN		Brown	
P-68-DRC-BGE		Beige	
P-68-DRC-BLK		Black	

New MopTite™ Covers exceed UL watertight requirements for 514A, 514C

Flush Service Floor Boxes

MopTite™ Cover Plates for 68 and 600 Series

- Polished brass finish
- Furnished complete with sealing gasket and 8-32 x 7/16 in. brass screws
- 4 in. outside diameter



P-60-1/2
1/2 in. N.P.S. plug



P-60-3/4
3/4 in. N.P.S. plug



P-60-1
1 in. N.P.S. plug



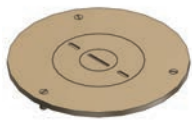
P-60-1-1/4
1-1/4 in. N.P.S. plug



P-60-2*
2 in. dia. plug



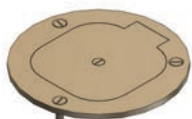
P-60-2-5/8*
2-5/8 in. dia. plug



P-60-1/2-2*
1/2 in. & 2 in. dia. plugs



P-60-3/4-2*
3/4 in. & 2 in. dia. plugs



P-60-DR*
Duplex lift lid



P-60-GFCI*
For GFCI Devices



P-60-DS*
Hinged lift lids

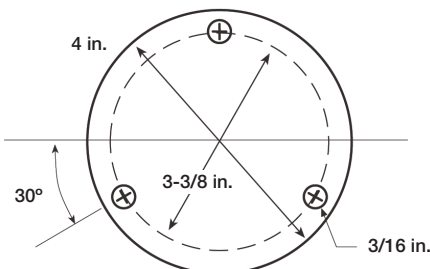


P-60-DU*
Duplex 1-7/16 in. lid



Cat. No.	Description	Finish	Std. Ctn.
P-60-1/2	1/2 in. N.P.S. Plug Size	Brass	4
P-60-1/2-AL		Aluminum	
P-60-3/4	3/4 in. N.P.S. Plug Size	Brass	
P-60-3/4-AL		Aluminum	
P-60-1	1 in. N.P.S. Plug Size	Brass	
P-60-1-AL		Aluminum	
P-60-1-1/4	1-1/4 in. N.P.S. Plug Size	Brass	
P-60-1-1/4-AL		Aluminum	
P-60-2	2 in. Diameter Plug Size	Brass	
P-60-2-AL		Aluminum	
P-60-2-5/8	2-5/8 in. Diameter Plug Size	Brass	
P-60-2-5/8-AL		Aluminum	
P-60-1/2-2	1/2 – 2 in. Diameter Plug Size	Brass	
P-60-1/2-2-AL		Aluminum	
P-60-3/4-2	3/4 – 2 in. Diameter Plug Size	Brass	
P-60-3/4-2-AL		Aluminum	
P-60-DR	With Duplex Lift Lid	Brass	
P-60-DS	For Duplex with Individual Lift Lids	Brass	
P-60-DS-AL		Aluminum	
P-60-DU	With Two 1-7/16 in. Plugs for Duplex	Brass	
P-60-DU-AL		Aluminum	
P-60-GFCI	For GFCI Devices	Brass	
P-60-GFCI-AL		Aluminum	

68P-FL or 68P-FL-AL required to attach cover plates to 68-P floor box
 New MopTite™ Covers exceed UL watertight requirements for 514A, 514C
 For replacement parts, please refer to pages C89 – C90



*Also includes steel seating plate for receptacles

Flush Service Floor Boxes

Dual-Voltage Kits for 68-P Nonmetallic Series



- Voltage divider has easy-cut score lines to accommodate concrete depths of 3 to 6 inches
- Faceplate has removable data plates and can accommodate GFCI or standard duplex receptacles
- Kit comes equipped with 4 standard keystone-size openings in the data plates. Other styles available include openings sized for Ortronics, Avaya, Panduit and Hubbell®
- MopTite™ cover uses a “Snap-Lock” to close the lid. No screws to turn... just push down the lid and it snaps in place. The cover uses a factory-installed gasket and exceeds all UL scrub-water exclusion requirements for carpet, wood and tile floors
- MopTite™ cover available in solid brass or aluminum
- Includes everything required for a standard installation (68P floor box, data jacks and receptacles not included)



Cat. No.	Description	Std. Ctn.
68P-DV-KIT-BRS	With Brass Cover	1
68P-DV-KIT-AL	With Aluminum Cover	
68P-DV-DP-ORT*	Ortronics Data Plate to Accommodate 2 Jacks	10
68P-DV-DP-PAN*	PANDUIT Data Plate to Accommodate 2 Jacks	
68P-DV-DP	Standard Data Plate to Accommodate 4 Keystone Jacks	

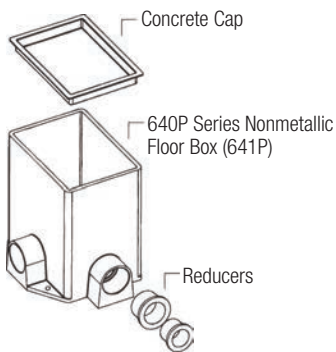
*CSA not Certified. Keystone data plates come standard with the kit. Other style data plates are available from T&B and can be ordered separately

Flush Service Floor Boxes

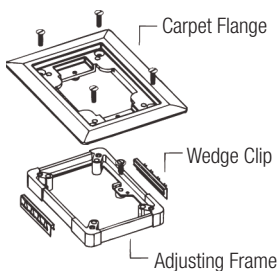
Multi-Gang Floor Boxes for Power and Communications

Features – 640P Series Nonmetallic Floor Boxes

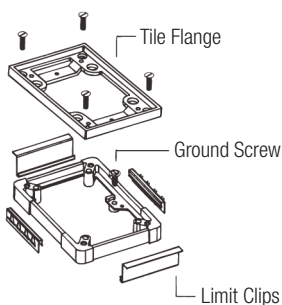
- Significant savings over metal boxes
- Die-cast adjusting frame with unique “Snap-On” feature which eliminates gluing
- Reduced installation time; no leveling required
- Compatibility with standard-schedule PVC conduit : 1 in., 3/4 in. and 1/2 in.
- Removable adjusting frame accepts wide variety of service accessories
- One-piece housing unit with premolded conduit holes
- Molded from a high-grade polymer material which is fully compatible with standard-schedule PVC conduit
- 640P Series Floor Boxes utilize both plastic and brass covers (P64 Series)
- Available in one-, two- and three-gang versions. Two- and three-gang boxes provided with partitions in corresponding activation kits.
- Min. concrete pour 2-1/2 in.



Carpet Activation Kit for 640P Series



Tile Activation Kit for 640P Series



Cat. No.	Description	Dimensions (in.)			Max. Volume	Std. Ctn.
		A	B	C		
641P	One-gang Box	4	5-3/8	6	85.0 cu. in.	1
642P	Two-gang Box	7				
643P	Three-gang Box	10-3/8	85.5 cu. in.*			

*Per gang



Carpet Activations Cat. No.	Tile Activations Cat. No.	Description	Finish	Std. Ctn.
641P-CACA	641P-TACA	One-Gang	Aluminum	4
641P-CACB	641P-TACB		Brass	
641-CAC-BGE*	641-TAC-BGE	One-Gang, Nonmetallic	Beige	
641-CAC-BLK	641-TAC-BLK		Black	
641P-CAC-GRY	641P-TAC-GRY		Grey	
642P-CACA	642P-TACA	Two-Gang	Aluminum	
642P-CACB	642P-TACB		Brass	
642-CAC-BGE*	642-TAC-BGE	Two-Gang, Nonmetallic	Beige	
642-CAC-BLK	642-TAC-BLK		Black	
642P-CAC-GRY	642P-TAC-GRY		Grey	
643P-CACA	643P-TACA	Three-Gang	Aluminum	
643P-CACB	643P-TACB		Brass	
643-CAC-BGE*	643-TAC-BGE	Three-Gang, Nonmetallic	Beige	
643-CAC-BLK	643-TAC-BLK		Black	
643P-CAC-GRY	643P-TAC-GRY	Three-Gang, Nonmetallic	Grey	

* Not CSA Certified

Flush Service Floor Boxes

MopTite™ Cover Plates for 640 Series

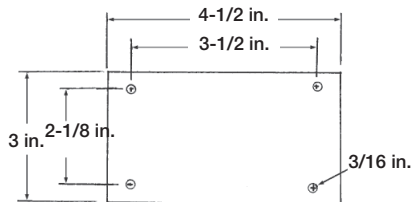


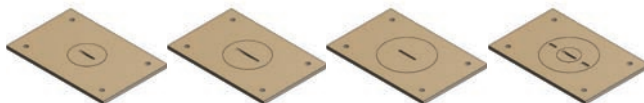
Plate Dimensions



P-64-3/4-AL 3/4 in. & 2 in. dia. plugs
P-64-2-5/8 2-5/8 in. dia. plug
P-64-2-5/8-AL 2-5/8 in. dia. plug



P-64-DU Duplex 1-7/16 in. plug
P-64-GFCI Cover Plate GFCI Flip Lid
P-64-1/2 1/2 in. N.P.S. plug
P-64-3/4 3/4 in. N.P.S. plug

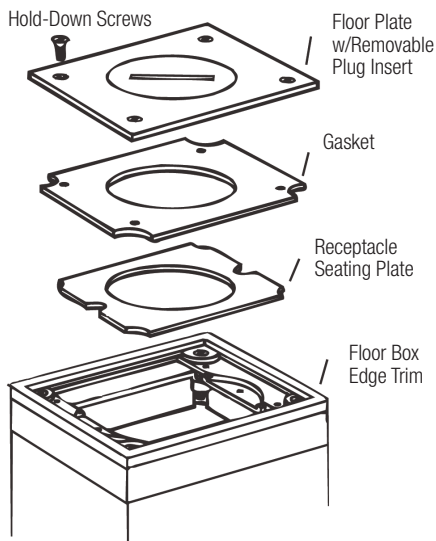


P-64-1 1 in. N.P.S. plug
P-64-1-1/4 1-1/4 in. N.P.S. plug
P-64-2 2 in. dia. plug
P-64-1/2-2 1/2 in. & 2 in. dia. plugs

Cat. No.	Description	Finish	Std. Ctn.
P-64-1/2	1/2 in. N.P.S. Plug	Brass	4
P-64-1/2-AL		Aluminum	
P-64-3/4	3/4 in. N.P.S. Plug	Brass	
P-64-3/4-AL		Aluminum	
P-64-1	1 in. N.P.S. Plug	Brass	
P-64-1-AL		Aluminum	
P-64-1-1/4	1-1/4 in. N.P.S. Plug	Brass	
P-64-1-1/4-AL		Aluminum	
P-64-2	2 in. UN Plug	Brass	
P-64-2-AL		Aluminum	
P-64-1/2-2	1/2 & 2 in. UN Plug	Brass	
P-64-1/2-2-AL		Aluminum	
P-64-3/4-2	3/4 & 2 in. UN Plug	Brass	
P-64-3/4-2-AL		Aluminum	
P-64-2-5/8	2-5/8 in. UN Plug	Brass	
P-64-2-5/8-AL		Aluminum	
P-64-DU	Duplex 1-7/16 in. Plugs	Brass	
P-64-DU-AL		Aluminum	
P-64-DS	Duplex Lift Lid	Brass	
P-64-DS-AL		Aluminum	
P-64-GFCI	GFCI Flip Lid	Brass	
P-64-GFCI-AL		Aluminum	

New MopTite™ Covers exceeds UL Scrub-water exclusion requirements

MopTite™ Nonmetallic Covers for 640 Series



- Polished brass finish
- Furnished complete with sealing gasket and # 8-32 x 7/16 in. screws
- 3 in. x 4-1/2 in. outside dimension



Cat. No.	Description	Colour	Std. Ctn.	
P-64-P-URC-BLK	Universal	Black	4	
P-64-P-URC-GRY		Grey		
P-64-P-URC-BGE		Beige		
P-64-P-BP-BLK*	Blank	Black		4
P-64-P-BP-GRY*	Blank	Grey		
P-64-P-BP-BGE*	Blank	Beige		

*Not CSA Certified
 New MopTite™ Covers exceeds UL scrub-water exclusion requirements