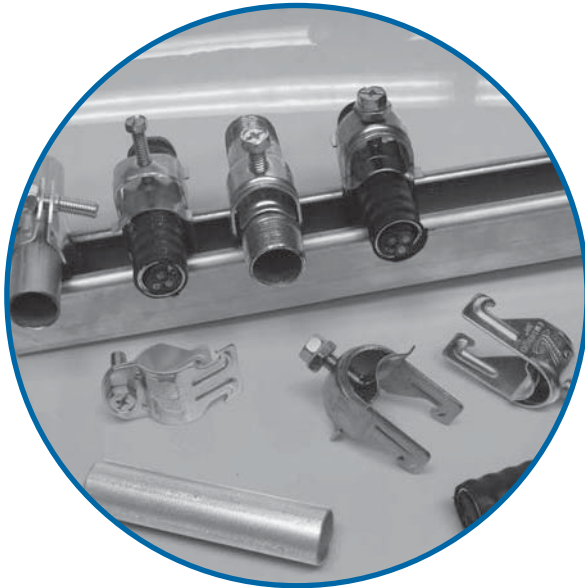


## Pipe Straps, Pipe Clamps and Hangers



### Design Loads

Where design loads are indicated, they provide for a safety factor of 3 in conformance with the American Standard Code for Pressure Piping.

### Hanger Design

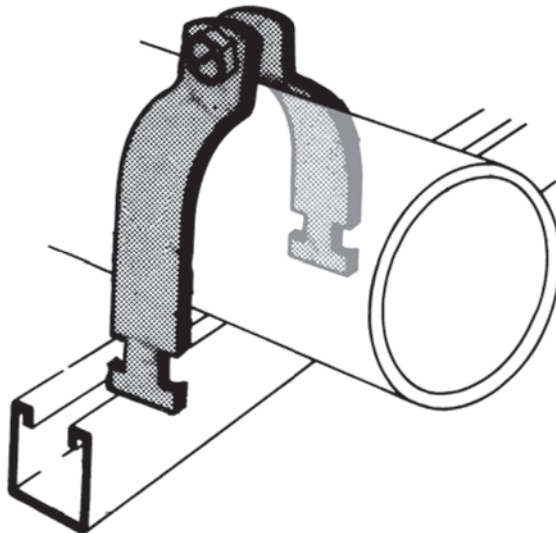
Pipe hangers are of advanced design to be user friendly.

### Finishes and Special Materials

The standard finish is Electrogalvanized (EGC) or GoldGalv®. Some products are offered in Aluminum and Stainless Steel where noted.

### 701 O.D. Pipe and Conduit Clamp

Machine screw and nut included.



#### Standard Finishes and Materials

**PG** = Pregalvanized (i.e. 701-045PG)

**AL** = Aluminum (i.e. 701-045AL) with zinc plated hardware

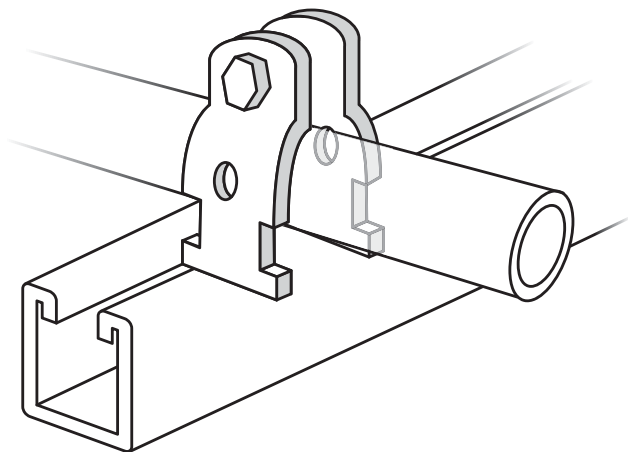
**SS6** = Stainless Steel Type 316 (i.e. 701-045SS6)

N° de cat.	O.D. of pipe		Rigid Cond.	EMT Cond.	WT./C. lb.	Std. Pack	
	(in.)	(mm)					
701-045PG	0.36-0.45	9-11.5	-	-	9	10	
701-055PG	0.46-0.55	11.5-14	-	-	10		
701-065PG	0.56-0.65	14-17	-	-	11		
701-075PG	0.66-0.75	17-19.5	-	1/2	13		
701-088PG	0.76-0.88	19.5-22.5	1/2	-	15		
701-100PG	0.89-1.00	22.5-25.4	-	3/4	16		
701-113PG	1.01-1.13	25.5-29	3/4	-	17		
701-126PG	1.14-1.26	29-32	-	1	18		
701-140PG	1.27-1.40	32-36	1	-	18		
701-153PG	1.41-1.53	36-39	-	1-1/4	19		
701-167PG	1.54-1.67	39-42.5	1-1/4	-	20		
701-180PG	1.68-1.80	42.5-46	-	1-1/2	23		
701-193PG	1.81-1.93	46-49	1-1/2	-	26		
701-204PG	1.93-2.04	49-52	-	-	30		
701-225PG	2.10-2.25	53-57.5	-	2	32		
701-237PG	2.26-2.37	57.5-60	2	-	34		
701-245PG	2.33-2.45	59.95-62.5	-	-	36		
701-257PG	2.46-2.57	62.5-65.5	-	-	38		
701-287PG	2.75-2.87	70-73	2-1/2	2-1/2	40		
701-294PG	2.88-2.94	73-75	-	-	42		
701-306PG	2.95-3.06	75-78	-	-	42.5		
701-319PG	3.07-3.19	78-81	-	-	43		
701-350PG	3.36-3.50	85.5-89	3	3	45		
701-356PG	3.51-3.56	89-90	-	-	46		
701-379PG	3.70-3.79	94-96.5	-	-	48		
701-400PG	3.80-4.00	96.5-101.5	3-1/2	3-1/2	49		
701-450PG	4.25-4.50	108-114	4	4	70		
701-556PG	5.25-5.56	121-141	5	5	75		
701-665PG	6.25-6.65	146-170	6	6	80		
701-876PG	8.50-8.75	197-222	8	8	85		
							5

## Pipe Straps, Pipe Clamps and Hangers

### Conduit and Cable Clamps

#### 703 Universal Clamp



Cat. No.	EMT/ Rigid (in.)	Conduit O.D.O	Material Thickness	Wt./C lb.	Std. Ctn.
703-1/2EG	1/2	0.706 - 0.840	16 ga.	13	100
703-3/4EG	3/4	0.932 - 1.050	14 ga.	14	100
703-1EG	1	1.163 - 1.315	14 ga.	15	100
703-1-1/4EG	1-1/4	1.508 - 1.660	14 ga.	18	50
703-1-1/2EG	1-1/2	1.738 - 1.900	14 ga.	28	50
703-2EG	2	2.195 - 2.375	14 ga.	29	50

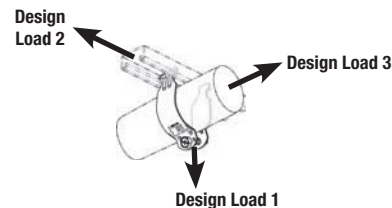
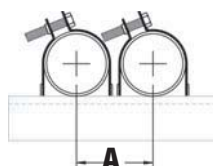
Standard Finishes - GoldGalv® (i.e.) 703-1/2

Electrogalvanized (EG suffix) (i.e.) 703-1-1/2EG

One size fits both Rigid and Electric Metal Tubing (EMT).

Individually assembled with screw and nut.

#### Quik Clamp II™



Cat. No.	Dimension A EMT in. (mm)	Dimension A Rigid Conduit in. (mm)	Quantity per Box	Wt./C lb.
TBQC050	1-5/16 (33.5)	1-1/4 (31.5)	100	10
TBQC075	1-3/4 (44.5)	1-11/16 (43)	100	12
TBQC100	1-13/16 (46)	1-3/4 (44.5)	100	13
TBQC125	2-1/8 (54)	2 (51)	50	15
TBQC150	2-3/8 (60.5)	2-3/16 (55.5)	50	16
TBQC200	2-5/8 (66.5)	2-1/2 (63.5)	50	19
TBQC250	3-1/16 (78)	3-1/16 (78)	25	29
TBQC300	3-11/16 (93.5)	3-11/16 (93.5)	25	34
TBQC350	4-3/16 (106.5)	4-3/16 (106.5)	25	38
TBQC400	4-11/16 (119)	4-11/16 (119)	25	42

Design Load 1 Static Load Limit lb. (kg)	Design Load 2 lb. (kg)	Design Load 3 lb. (kg)
200 (90)	50 (23)	50 (23)
200 (90)		
200 (90)		
200 (90)		
200 (90)		
200 (90)		
350 (158)		
350 (158)		
350 (158)		
350 (158)		

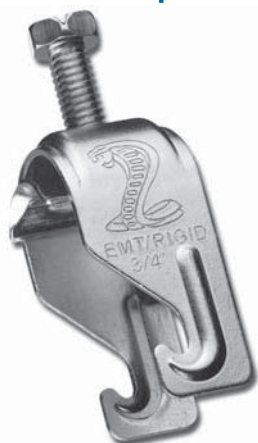
Design Load 1 has a safety factor of 4.  
Design Loads 2 and 3 have  
a safety factor of 1.

Standard material electrogalvanized steel.

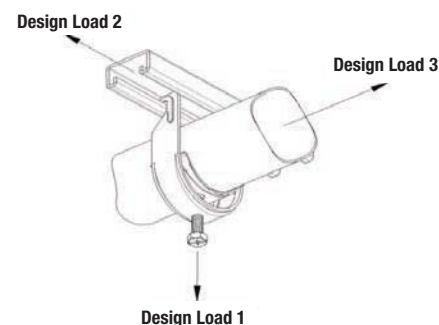
## Pipe Straps, Pipe Clamps and Hangers

### Conduit and Cable Clamps

#### Cobra® Clamp



Standard material is commercial-grade, bright electrogalvanized steel. Stainless steel 316L is also available; add the suffix "SS6" to catalogue no. (i.e.: CPC050SS6). Stainless steel bolt head is hexagonal and slotted only. **Now available in aluminum.**

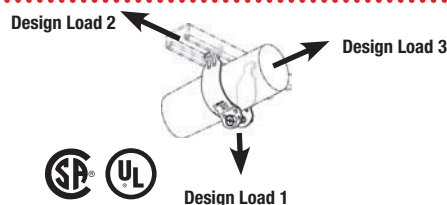


Cat. No.	EMT Trade Size (in.)	Rigid Cond. Trade Size (in.)	Cable O.D. Range (in.)	Static Load Limit (lb.) Safety Factor = 4	Qty. per Box	Wt./C lb.	Torque Value (ft.-lb.)
CPC025	1/4	1/4	0.312 - 0.600	200	100	8	35
CPC050	1/2	1/2	0.500 - 0.890	200	100	10	
CPC075	3/4	3/4	0.860 - 1.110	200	100	12	
CPC100	1	1	1.100 - 1.400	200	100	14	
CPC125	1 1/4	1 1/4	1.400 - 1.725	200	50	16	
CPC150	1 1/2	1 1/2	1.690 - 1.980	200	50	18	
CPC200	2	2	1.980 - 2.576	200	50	24	
CPC250	2 1/2	2 1/2	2.576 - 3.060	350	25	36	
CPC300	3	3	3.060 - 3.626	350	25	42	
CPC350	3 1/2	3 1/2	3.626 - 4.126	350	25	46	
CPC400	4	4	4.126 - 4.626	350	25	50	

Design Load 1 Static Load Limit lb. (kg)	Design Load 2 lb. (kg)	Design Load 3 lb. (kg)
200 (91)	50 (23)	50 (23)
200 (91)		
200 (91)		
200 (91)		
200 (91)		
200 (91)		
200 (91)		
350 (159)		
350 (159)		
350 (159)		
350 (159)		
350 (159)		
350 (159)		

#### Loc-King Cobra™ Clamp

- Superior design load capabilities for heavy-duty applications
- Pre-set torque prevents over-tightening
- Anti-vibration nut
- Steel construction with GoldGalv® finish



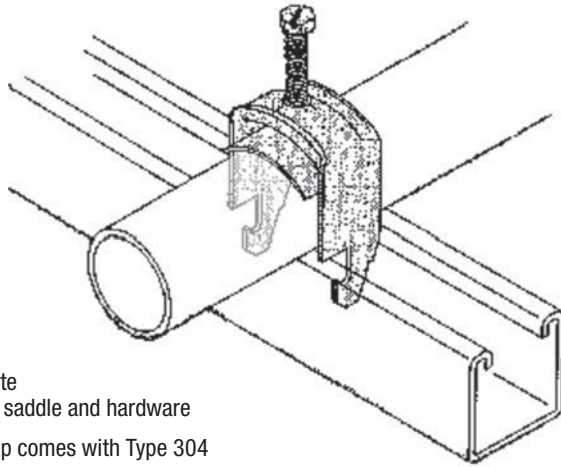
Cat. No.	EMT Trade Size (in.)	Rigid Cond. Trade Size (in.)	Cable O.D. Range (in.)	Static Load Limit (lb.) Safety Factor = 4	Qty. per Box	Wt./C lb.	Torque Value (ft.-lb.)
LKPC050	1/2	1/2	0.650 - 0.890	100	15	10	35
LKPC075	3/4	3/4	0.860 - 1.110	100	16	12	
LKPC100	1	1	1.100 - 1.400	50	19	14	
LKPC125	1 1/4	1 1/4	1.400 - 1.725	50	23	16	
LKPC150	1 1/2	1 1/2	1.690 - 1.980	50	27	18	
LKPC200	2	2	1.980 - 2.576	50	38	24	
LKPC250	2 1/2	2 1/2	2.576 - 3.060	25	44	36	
LKPC300	3	3	3.060 - 3.626	25	53	42	
LKPC350	3 1/2	3 1/2	3.626 - 4.126	25	58	46	
LKPC400	4	4	4.126 - 4.626	25	66	50	

Design Load 1 Static Load Limit lb. (kg)	Design Load 2 lb. (kg)	Design Load 3 lb. (kg)
350 (159)	50 (23)	50 (23)
350 (159)		
350 (159)		
350 (159)		
350 (159)		
350 (159)		
350 (159)		
450 (204)		
450 (204)		
450 (204)		
450 (204)		
450 (204)		
450 (204)		

## Pipe Straps, Pipe Clamps and Hangers

### Conduit and Cable Clamps

#### CH118 Heavy Duty Cable Clamp



##### Standard Finishes:

Electrogalvanized (EG)

Aluminum (AL) comes complete with Stainless Steel Type 304 saddle and hardware

Stainless Steel Type 316 clamp comes with Type 304 stainless steel hardware.

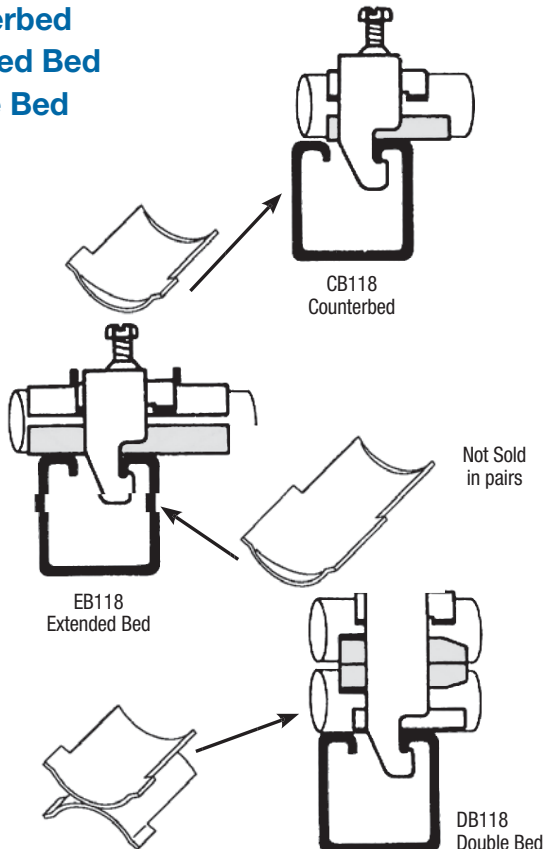
Cat. No.	O.D. of cable or pipe		Rigid Cond.	EMT Cond.	WT./C. lb.
	(in.)	(mm)			
CH118-055EG	0.40-0.55	10-14	—	—	8
CH118-081EG	0.50-0.81	13-21	1/2	1/2	9
CH118-110EG	0.70-1.10	18-28	3/4	3/4	17
CH118-125EG	0.85-1.25	22-27	3/4	1	18
CH118-135EG	1.00-1.35	26-36	1	1	19
CH118-175EG	1.33-1.75	34-44	1-1/4	1-1/4	21
CH118-205EG	1.65-2.05	42-52	1-1/2	1-1/2	24
CH118-250EG	2.12-2.50	54-64	2	2	48
CH118-300EG	2.60-3.00	66-76	2-1/2	2-1/2	54
CH118-325EG	2.75-3.25	70-82	—	—	65
CH118-375EG	3.25-3.75	82-94	3	3	105
CH118-425EG	3.75-4.25	94-110	3-1/2	3-1/2	113
CH118-475EG	4.25-4.75	110-120	4	4	124

Available in double or triple configurations.

Example: Double - CH128-047EG

Triple - CH138-047EG

#### CB118 Counterbed EB118 Extended Bed DB118 Double Bed



Cat. No.	Wt./C. lb.
<b>Counterbed</b>	
CB118-055PG	1
CB118-090PG	2
CB118-110PG	3-1/2
CB118-140PG	4
CB118-175PG	4-1/2
CB118-200PG	5
CB118-250PG	11
CB118-300PG	13
<b>Extended bed</b>	
EB118-047PG	4
EB118-055PG	4-1/2
EB118-090PG	6
EB118-110PG	13-1/2
EB118-140PG	16
EB118-175PG	17
EB118-200PG	20
EB118-250PG	30
EB118-300PG	38
<b>Double Bed</b>	
DB118-047PG	2
DB118-055PG	2
DB118-070PG	3

Standard Finishes - Pregalvanized (PG)

## Pipe Straps, Pipe Clamps and Hangers

### Conduit and Cable Clamps

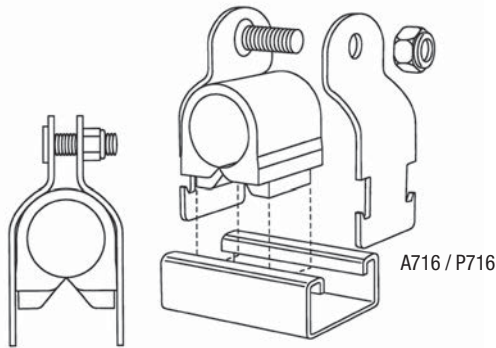
#### A716 Snap•Guard® Cushioned Clamp Tube Series

#### P716 Snap•Guard® Cushioned Clamp Pipe Series

Standard Finishes GoldGalv®

Available in Stainless Steel 316 use SS316 suffix. (i.e) A716-1SS316

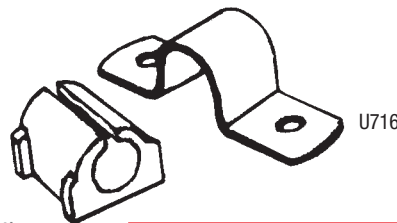
Electrogalvanized (Silver) - use EG suffix. (i.e) A716-1EG



- Assembly consisting of GoldGalv® finish steel clamp with bolt/locknut and cushion
- Secure pipes, tubes and hoses for fluid conductors.
- Installation is easy and requires no more time than a simple pipe clamp installation
- Cushion absorbs the shocks and associated vibrations from fluid surges in tubes, pipes and hoses
- It can handle temperatures from 149°C to -40°C (300°F to -40°F)
- Cushioned Clamp assemblies are available individually bagged

Assembly Cat. No.	Tubing		Assembly Cat. No.	Standard Pipe		Wt./C lb.
	Tube O.D. (in.)	Wt./C lb.		Nominal Pipe Size (in.)	Std. Ctn.	
A716-1/4	1/4	10	P716-1/4	1/4	25	10
A716-3/8	3/8	14	P716-3/8	3/8		
A716-1/2	1/2	16	P716-1/2	1/2		
A716-5/8	5/8	16	P716-3/4	3/4		
A716-3/4	3/4	18	P716-1	1	10	22
A716-7/8	7/8	18	P716-1-1/4	1-1/4		27
A716-1	1	22	P716-1-1/2	1-1/2		36
A716-1-1/8	1-1/8	24	P716-2	2		43
A716-1-1/4	1-1/4	27	P716-2-1/2	2-1/2	49	
A716-1-3/8	1-3/8	27	P716-3	3	60	
A716-1-1/2	1-1/2	36	P716-3-1/2	3-1/2	62	
A716-1-5/8	1-5/8	37	P716-4	4	94	
A716-1-3/4	1-3/4	37	-	-		
A716-1-7/8	1-7/8	43	-	-		
A716-2	2	43	-	-		
A716-2-1/8	2-1/8	44	-	-		
A716-2-3/8	2-3/8	49	-	-		
A716-2-5/8	2-5/8	53	-	-		
A716-3-1/8	3-1/8	62	-	-		
A716-4-1/8	4-1/8	94	-	-		

### U716 Two Hole Cushioned Clamp



- Guides, protects, and uniformly spaces line runs. Low cost, time saving method of attaching tubing and hose to equipment.
- Cushion is built to withstand the effects of most oils, chemical and industrial cleaning compounds, in temperatures from -45°C to 121°C (-50°F to 275°F). Interlock edge insures cushion remains in place.
- Attached with two standard fasteners to any flat surface, this clamp eliminates the use of special channels, providing a savings in both space requirements and cost
- Cushioned clamps reduce vibration, shock, and noise in fluid systems and eliminates electrolysis

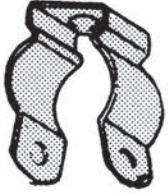
Standard Finish – GoldGalv®

Assembly Cat. No.	Copper and Steel Tubing O.D. (in.)	Copper Water Pipe (nom.) (in.)	Normal Pipe Size (in.)	Std. Ctn.	Wt./C lb.
U716-1/4	1/4	-	-	25	3
U716-3/8	3/8	1/4	-		4
U716-1/2	1/2	3/8	1/4		6
U716-5/8	5/8	1/2	3/8		6
U716-3/4	3/4	5/8	-	10	7
U716-7/8	7/8	3/4	1/2		7
U716-1	1	-	-		8
U716-1-1/8	1-1/8	1	-		8
U716-1-1/4	1-1/4	-	-	10	17
U716-1-3/8	1-3/8	1-1/4	-		20
U716-1-1/2	1-1/2	-	-		22
U716-1-5/8	1-5/8	1-1/2	-		23
U716-2	2	-	-	10	41
U716-2-1/8	2-1/8	-	-		41
U716-2-3/8	2-3/8	-	-		44

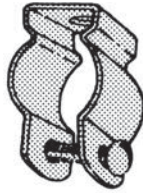
## Pipe Straps, Pipe Clamps and Hangers

### Conduit and Cable Clamps

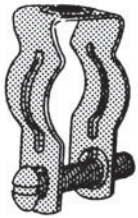
#### 6H Series Conduit and Pipe Hanger



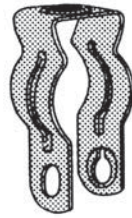
6H Series



6H-B Series  
with Bolt and  
Hex Nut



6H-TB  
Threaded Series



6H-T  
Threaded Series

#### Features

- Accommodates 1/2 in. through 4 in. EMT or rigid conduit
- Can be used for either vertical or horizontal installation
- 6HTB Series have a built-in nut so there are fewer parts to handle or drop
- Installs easily with a screwdriver

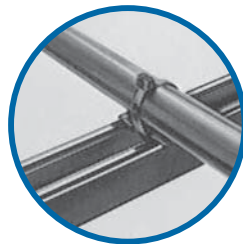
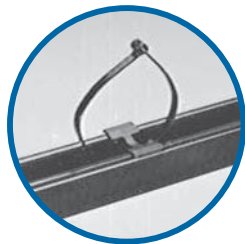
*Standard Finish - Electrogalvanized (no suffix)*

Cat. No.	Conduit Size		Wt./C. lb.
	Rigid (in.)	EMT (in.)	
6H0	3/8 - 1/2	1/2	5
6H0-B			7
6H0-T			5
6H0-TB			6
6H1	3/4	3/4	6
6H1-B			7
6H1-T			6
6H1-TB			7
6H2	1	1	7
6H2-B			9
6H2-1/2	-	1-1/4	8
6H2-1/2-B			10
6H3-SC	1-1/4	1-1/2	8
6H3-B			10
6H3-TB			10
6H4			17
6H4-B	1-1/2	-	19
6H4-TB			19
6H5	2	2	24
6H5-B			26
6H5-TB			26
6H6	2-1/2	2-1/2	28
6H6-B			30
6H7	3	3	36
6H7-B			38
6H8	3-1/2	3-1/2	39
6H8-B			41
6H9	4	4	44
6H9-B			47

#### Cable Tie Mounting Bases For Framing Channel



#### Installation



Cat. No.	Channel Size (in.)	Maximum Tie Width Accom. (in.)	Unit Qty.	Std. Pkg.
TC5363X	1-1/2 & 1-5/8	0.301	50	250

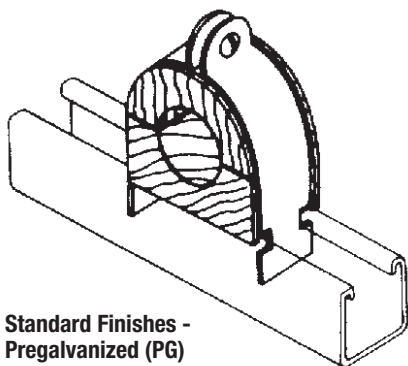
- Installs with a push and twist
- Designed for indoor or outdoor use
- Smooth design protects cable insulation
- Takes range of cable diameters

When fastening wire bundles, cables, or hoses to framing channels, you can cut costs considerably by using this mounting base. It is made of smooth, weather-resistant nylon and designed to protect cable insulation and hoses from the wear or damage that can occur with metal clamps. The mounting base may be used for both indoor or outdoor applications. It installs in the framing channel with a simple push and twist. It requires no screws, nuts or tools. The mounting base fits all 1-1/2 in. and 1-5/8 in. channels regardless of channel depth. Ty-Rap® and Ty-Fast® to be ordered separately.

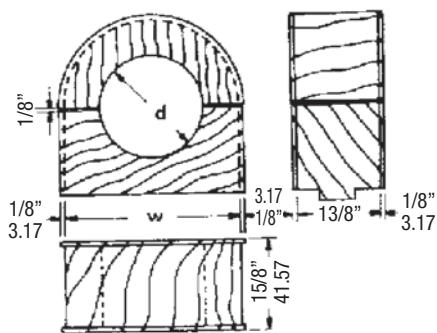
## Pipe Straps, Pipe Clamps and Hangers

### Conduit and Cable Clamps

#### W716 Maple Hardwood Clamps



Standard Finishes -  
Pregalvanized (PG)  
Aluminum (AL)

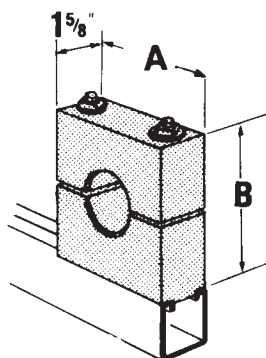


Paraffin impregnated maple.

Cat. No.	Dimensions			
	Depth		Width	
Hardwood Paraffin Imp.	(in.)	(mm)	(in.)	(mm)
W716-3/4PG	3/4	19.0	2-1/8	53.9
W716-1PG	1	25.4	2-1/8	53.9
W716-1-1/4PG	1-1/4	31.7	2-5/8	66.6
W716-1-1/2PG	1-1/2	38.1	2-5/8	66.6
W716-1-3/4PG	1-3/4	44.4	3	76.2
W716-2PG	2	50.8	3-5/8	92.0
W716-2-1/4PG	2-1/4	57.1	3-5/8	92.0
W716-2-1/2PG	2-1/2	63.5	4-5/8	117.7
W716-2-3/4PG	2-3/4	69.8	4-5/8	117.7
W716-3PG	3	76.2	4-5/8	117.7
W716-4PG	4	98.0	5-5/8	143.4

Note: Holding clamp is included with W716 maple hardwood clamps. It is not necessary to order 701 Series separately.

#### U861, U862 and 863 Maple Cable Clamp



Electrogalvanized hardware included.

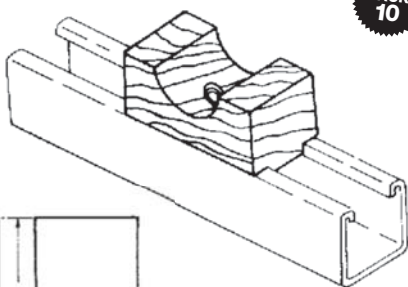
#### Custom made to your needs

Step 1		Cat. No.	Number of holes
	i.e.	U861	1 hole
		U862	2 holes
		U863	3 holes
Step 2	Specify O.D. of cable		
	i.e. 3/4 in. hole	U861 - 0.75	

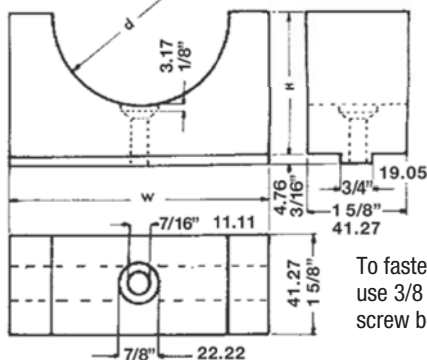
Communiquer avec le bureau régional des ventes.

#### WS716 Maple Hardwood Saddle

Paraffin impregnated maple.



STD. PACK 10



To fasten saddle, use 3/8 in. x 2 in. screw bolt.

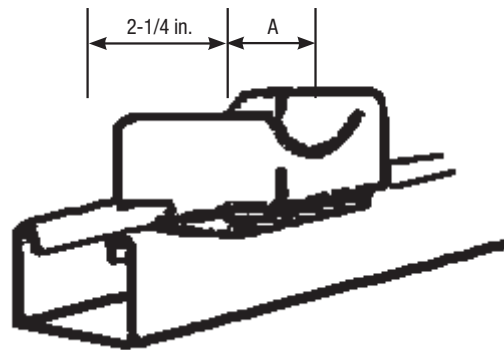
Cat. No.	Dimensions					
	Depth		Width		Height	
Hardwood Paraffin Imp.	(in.)	(mm)	(in.)	(mm)	(in.)	(mm)
WS716-3/4	3/4	19.0	3	76.2	1-3/4	44.4
WS716-1	1	25.4	3	76.2	1-3/4	44.4
WS716-1-1/4	1-1/4	31.7	3-1/2	88.9	2	50.8
WS716-1-1/2	1-1/2	38.1	3-1/2	88.9	2	50.8
WS716-1-3/4	1-3/4	44.4	4	101.6	2-1/4	57.1
WS716-2	2	50.8	4	101.6	2-1/4	57.1
WS716-2-1/4	2-1/4	57.1	4-1/2	114.3	2-1/2	63.5
WS716-2-1/2	2-1/2	63.5	4-1/2	114.3	2-1/2	63.5
WS716-2-3/4	2-3/4	69.8	5	127	2-3/4	69.8
WS716-3	3	76.2	5	127	2-3/4	69.8
WS716-3-1/4	3-1/4	82.5	5-1/2	139.7	2-3/4	76.2
WS716-3-1/2	3-1/2	88.9	5-1/2	139.7	3	76.2
WS716-3-3/4	3-3/4	95.2	6	152.4	3-1/4	82.5
WS716-4	4	101.6	6	152.4	3-1/4	82.5
WS716-4-1/2	4-1/2	114.3	6-1/2	165.1	3-1/2	88.9
WS716-5	5	127	7	177.8	3-3/4	95.2
WS716-5-1/2	5-1/2	139.7	7-1/2	190.5	4	101.6
WS716-6	6	152.4	8	203.2	4-1/4	107.9
WS716-6-1/2	6-1/2	165.1	8-1/2	215.9	4-1/2	114.3
WS716-7	7	177.8	9	228.6	4-3/4	120.6

## Pipe Straps, Pipe Clamps and Hangers

### Conduit and Cable Clamps

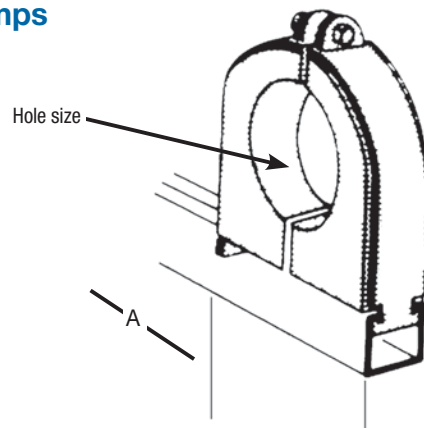
**AB880 3 in.  
Porcelain Saddle**

**AB881 4 in.  
Porcelain Saddle**



Cat. No.	A (in.)	Max. Cable Diam. (in.)	Wt./C lb.
AB880	3	3	73
AB881	4	4-1/2	104

### C755 Porcelain Cable Clamps



Cat. No.	Hole Size (in.)	A (in.)	Wt./C lb.
C755-1A	3/8	1-9/16	50
C755-1B	1/2	1-9/16	50
C755-1C	5/8	1-9/16	50
C755-2	3/4	2-5/32	91
C755-2A	7/8	2-5/32	90
C755-2B	1	2-5/32	85
C755-2C	1-1/8	2-5/32	82
C755-3	1-1/4	2-5/8	114
C755-3A	1-3/8	2-5/8	110
C755-3B	1-1/2	2-5/32	105
C755-3C	1-5/8	2-5/8	102
C755-4	1-3/4	3-3/4	220
C755-4A	1-7/8	3-3/4	214
C755-4B	2	3-3/4	205
C755-4C	2-1/8	3-3/4	200
C755-5	2-1/4	4-1/4	260
C755-5A	2-3/8	4-1/4	250
C755-5B	2-1/2	4-1/4	243

Cat. No.	Hole Size (in.)	A (in.)	Wt./C lb.
C755-5C	2-5/8	4-1/4	240
C755-6	2-3/4	4-3/4	250
C755-6A	2-7/8	4-3/4	240
C755-6B	3	4-3/4	230
C755-6C	3-1/8	4-3/4	220
C755-7	3-1/4	5-13/16	340
C755-7A	3-3/8	5-13/16	330
C755-7B	3-1/2	5-13/16	318
C755-7C	3-5/8	5-13/16	387
C755-8	3-3/4	6-7/8	565
C755-8A	3-7/8	6-7/8	550
C755-8B	4	6-7/8	535
C755-8C	4-1/8	6-7/8	520
C755-8D	4-1/4	6-7/8	490
C755-8E	4-3/8	6-7/8	475
C755-8F	4-1/2	6-7/8	460

**Standard Finish - GoldGalv® with bronze hardware**

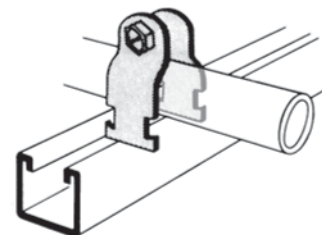
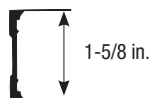
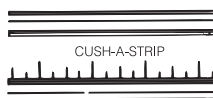
Also fits 1-1/2 in. wide channel. For minimum order quantities, contact your Regional Sales Office.



## Pipe Straps, Pipe Clamps and Hangers

### Conduit and Cable Clamps

#### S716 Cushioned Strip for Isolation and Vibration Applications



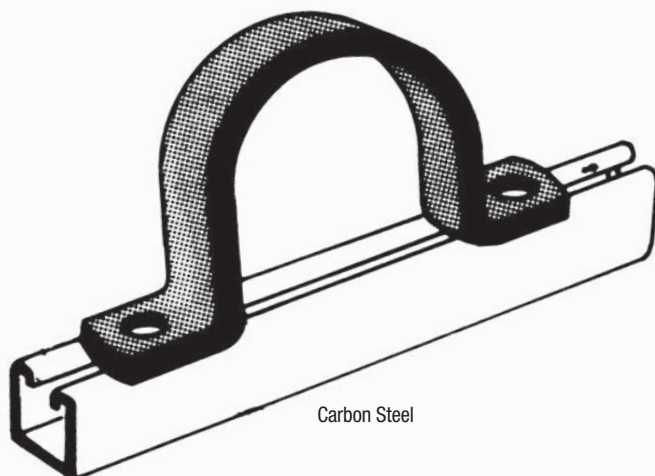
For use with 701 O.D. tubing and pipe clamp. To determine 701 clamp size add 1/4 in. to O.D. tube size to allow for the Cushioned Strip material.

1/4 in. markings for fast measuring and cutting. Measurement chart is printed on back of carton. 20 feet included in each carton.

Prevent metal to metal contact with the Cushioned Strip material. It aids in sound insulation, shock absorption and protects against corrosion, distortion and abrasion. Cushioned Strip material is designed for optimal use between -1°C and 149°C (30°F and 300°F). Cushioned Strip material combined with the Superstrut 701 pipe strap can handle clamping assignments from 1/4 in. to 6 in.

Order 701 clamp separately.

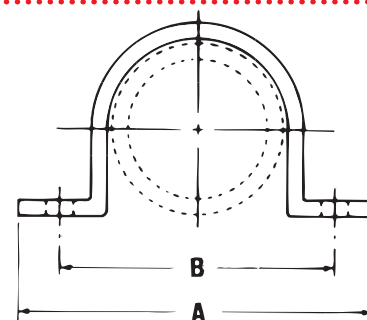
#### C708U Short Strap for Channel or Wall Mounting



Standard Finish - GoldGalv®

Example: C708U-1/2

No clearance between pipe and channel.



Pipe Size (in.)	A (in.)	B (in.)	Thickness (in.)	Width (in.)	Hole Size (in.)	Design Load lb.	Wt./C lb.
1/2	2-7/8	2	1/8	1-5/8	9/32	650	23
3/4	3-1/16	2-3/16					26
1	3-3/8	2-1/2					31
1-1/4	3-11/16	2-13/16					35
1-1/2	3-15/16	3-1/16					39
2	5-3/4	4-1/8					94
2-1/2	6-3/16	4-9/16	1/4	7/16	1000	114	
3	6-13/16	5-3/16				133	
3-1/2	7-5/16	5-11/16				152	
4	7-13/16	6-3/16				176	
5	8-7/8	7-1/4				198	
6	9-15/16	8-5/16				246	

## Pipe Straps, Pipe Clamps and Hangers

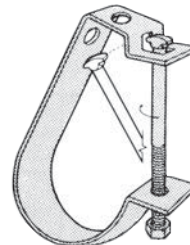
### Conduit and Cable Clamps

#### C711 "J" Pipe Hanger

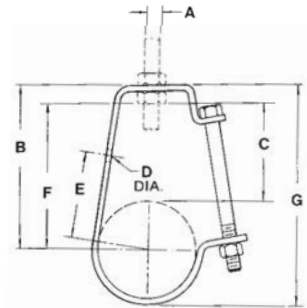
**Standard Finishes - GoldGalv®, Electrogalvanized (EG)**

Complies with Specification MSS SP69, Type 5.  
Hole provided for side mounting to wall as bracket.

**Example: C711-1/2**



Standard



Pipe Size (in.)	A Rod Size (in.)	B (in.)	C (in.)	Overall Dimension D (in.)	E (in.)	F (in.)	Bolt Size (in.)	G	Thickness	Width (in.)	Max. Rec. Load lb.	Approx. Wt./C lb.
1/2	3/8	2-5/8	1-3/4	7/16	1-1/2	1-15/16	1/4	3-5/32	12 ga	3/4	400	18
3/4	3/8	2-7/8	1-7/8		1-11/16	2-1/8		3-1/2				21
1	3/8	2-15/16	1-15/16		1-13/16	2-5/16		3-11/16				22
1-1/4	3/8	3-1/4	2		2-1/16	2-5/8		4-1/8				25
1-1/2	3/8	3-9/16	2-3/16		2-7/16	2-7/8		4-5/8				27
2	3/8	3-11/16	2-1/8		2-9/16	3-1/16		5				29
2-1/2	1/2	4-7/16	2-7/16		3-3/16	3-5/8		6				64
3	1/2	4-13/16	2-9/16		3-1/2	4-1/16		6-21/32				72
3-1/2	1/2	5-1/8	2-5/8	3-3/4	4-3/8	7-5/16	84					
4	5/8	6-1/8	3-3/16	9/16	4-5/8	5-3/16	3/8	3/16	1-1/4	550	138	
5	5/8	6-3/4	3-1/4		5-1/16	5-3/5	9-23/32				162	
6*	3/4	7-3/4	3-9/16		5-13/16	6-5/8	11-1/4				249	
8*	7/8	9-3/16	3-15/16		6-15/16	8	13-11/16				760	291

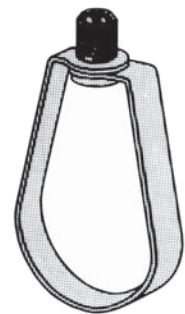
\*Hangers 6 in. and over have hole instead of slot.

#### C727 Adjustable Ring

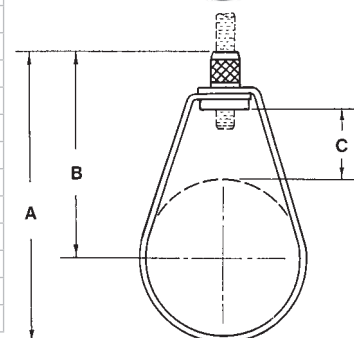
**Standard Finish - Pregalvanized (no suffix)**

Carbon steel. For suspension of non-insulated pipe lines.  
Complies with Specification MSS SP69, Type 10.

**Example: C727-1/2**



Tube Size (in.)	Rod Size (in.)	A (in.)	B (in.)	C (in.)	Thickness	Width (in.)	Approx Max. Rec. Load	Wt./C lb.	
1/2	3/8	3-1/8	2-5/8	1-3/8	16 ga	1	400	9	
3/4		3-1/8	2-1/2	1-1/8				9	
1		3-3/8	2-5/8	1-1/8				9	
1-1/4		3-3/4	2-7/8	1-1/8				10	
1-1/2		3-7/8	2-7/8	1				11	
2		4-1/4	3	1				12	
2-1/2	1/2*	5-3/4	4-1/4	1-5/8	14 ga	1-3/16	600	28	
3		6	4-1/8	1-1/4				30	
3-1/2		7-3/8	5-1/4	2-1/8				34	
4	5/8*	7-3/8	5	2-5/8		1-1/4	1000	1250	37
5		9	6-1/8	2-1/4					83
6		3/4**	9-3/8	6-1/2					1-7/8



\*3/8 in. nut is used when NFPA rod sizing is requested.  
\*\*1/2 in. nut is used when NFPA rod sizing is requested.

## Pipe Straps, Pipe Clamps and Hangers

### Pipe Hangers

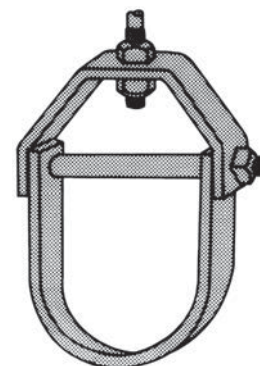
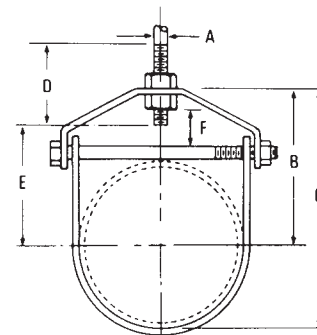
#### C710 Adjustable Clevis Hanger

**Standard Finishes - GoldGalv®, ElectroGalvanized (EG)**

Complies with Specification MSS SP69, Type 1.

**Example: C710-1/2EG**

Pipe Size (in.)	Size of Steel		A (in.)	B (in.)	C (in.)	D (in.)	E (in.)	F (in.)	Max. Rec. Load, lb.	Wt./C lb.
	Upper	Lower								
1/2	1/8x1	1/8x1	3/8	1-11/16	2-1/8	2-1/2	7/8	7/16	610	30
3/4				1-7/8	2-7/16		1	1/2		32
1				2-1/8	2-13/16		1-1/4	5/8		36
1-1/4				2-9/16	3-7/16		1-3/4	7/8		42
1-1/2				3	4		2-1/8	1-1/16		55
2				3-11/16	4-7/8		2-15/16	1-5/8		60
2-1/2	3/16x1-1/4	3/16x1-1/4	1/2	4-11/16	6-1/8	3	3-13/16	2	1130	115
3				4-3/4	6-9/16		3-7/8	1-3/4		132
3-1/2				4-15/16	6-15/16		4-1/16	1-3/4		156
4				5-9/16	7-13/16		4-1/2	1-15/16		190
5	1/4x1-1/4	3/16x1-1/2	5/8	6-3/16	9	3-1/2	5-1/8	1-3/4	1430	240
6	1/4x1-1/2			6-13/16	10-1/8		4	5-5/8		1-7/8
8	1/4x1-3/4	3/16x1-3/4	7/8	8-5/16	12-5/8	4-1/4	7	2-1/8	1940	500



#### CL710 Light Duty Adjustable Clevis Hanger

**Standard Finishes - GoldGalv®, Bare (B), ElectroGalvanized (EG), Fiberglass (FG).**

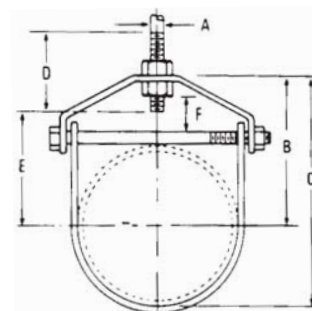
Carbon Steel

Used on non-insulated, stationary pipelines.

A lock nut above the clevis yoke is required for full rated load.

**Example: CL710-3/8B**

Pipe Size (in.)	Thickness of Steel		A (in.)	B (in.)	C (in.)	D (in.)	E (in.)	F (in.)	Max. Rec. Load, lb.	Wt./C lb.
	Upper	Lower								
3/8	16 ga x 7/8	16 ga x 7/8	3/8	1-7/8	2-3/16	2-1/2	1-1/4	9/16	150	12
1/2				1-3/4	2-3/16	2-1/2	1-1/8	9/16		13
3/4				1-7/8	2-1/4	2-1/2	1-1/4	1/2		15
1				2-3/16	2-3/4	2-1/2	1-1/2	3/4		18
1-1/4				2-5/8	3-3/8	2-1/2	1-3/4	1		20
1-1/2				3	3-7/8	2-1/2	2-1/4	1-3/16		30
2	13 ga x 7/8	13 ga x 7/8	1/2	3-9/16	4-3/4	2-1/2	2-13/16	1-5/8	250	38
2-1/2				4	5-1/2	3	3-1/4	1-3/8		80
3				4-9/16	6-1/2	3	3-9/16	1-1/2		89
3-1/2	1/8 x 1-1/4	1/8 x 1-1/4	1/2	5	7	3	4-1/8	1-3/4	350	106
4				5-1/4	7-1/2	3-1/2	4-1/4	1-7/8		146
6	1/4x1-1/2	3/16x1-1/2	3/4	6-13/16	10-1/8	4	5-5/8	1-7/8	1940	320
8	1/4x1-3/4	3/16x1-3/4	7/8	8-5/16	12-5/8	4-1/4	7	2-1/8		500



## Pipe Straps, Pipe Clamps and Hangers

### Pipe Hangers

#### M718 Split Pipe Ring

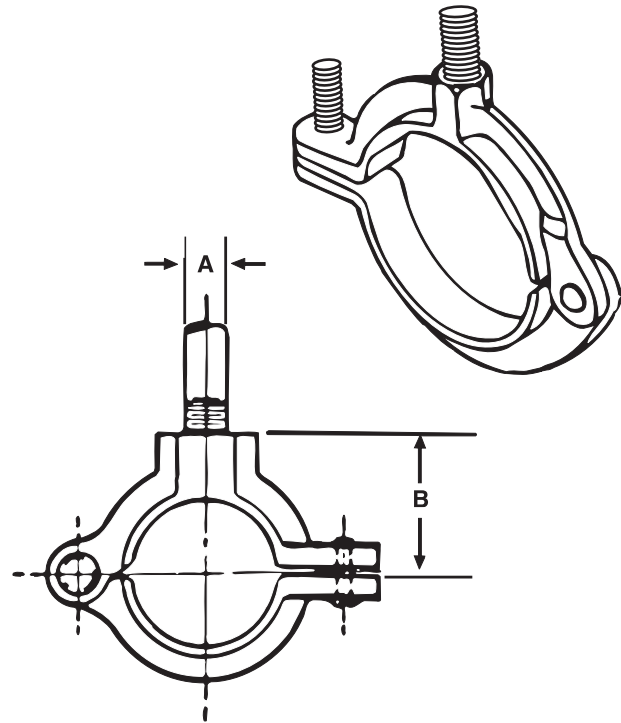
**Standard Finishes - Bare (B) or Electrogalvanized (EG)**

Malleable iron.

For suspension of non-insulated, stationary pipelines.

**Example: M718-3/8B**

Pipe Size (in.)	A (in.)	B (in.)	Max. Rec. Load, lb.	Wt./C Approx.
3/8	3/8	13/16	180	10
1/2		7/8		13
3/4		1		14
1		1-1/8		16
1-1/4		1-5/16		22
1-1/2		1-7/16		24
2		1-11/16		31
2-1/2	1/2	2-1/8	300	60
3		2-7/16		74
4		2-15/16		116



#### C725 Medium Pipe Clamp

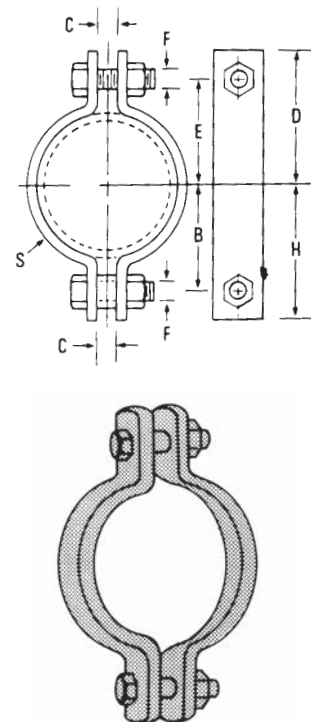
**Standard Finishes - GoldGalv®, Bare (B), Electrogalvanized (EG)**

Carbon steel. For suspension of pipelines where little or no insulation is required.

Complies with Specification MSS SP69, Type 23.

**Example: C725-1/2B**

Pipe Size (in.)	B (in.)	C (in.)	D (in.)	E (in.)	F (in.)	H (in.)	S (in.)	Max. Rec. Load, lb.	Wt./C Approx.
1/2	1	7/16	1-5/8	1	5/16	1-1/2	1/8 x 1	500	29
3/4	1-1/8		1-3/4	1-1/4		1-3/4			32
1	1-1/4		1-13/16	1-1/4		1-13/16			33
1-1/4	1-7/16	1/2	2	1-7/16	1/2	2	1/4 x 1	715	38
1-1/2	1-5/8		2-1/16	1-1/2		2-1/4			39
2	2-1/8	9/16	3-1/8	2-1/4	1/2	3	1/4 x 1	1040	117
2-1/2	2-5/16		3-5/16	2-1/2		3-1/4			128
3	2-3/4		3-3/4	2-3/4		3-5/8			140
3-1/2	3-7/8	5/8	3-3/4	3	1/2	3-7/8	3/8 x 1-1/4	1615	145
4	3-5/16	3/4	4-1/4	3-5/16		5/8			4-1/4
6	4-7/8	7/8	5-7/8	5	3/4	5-3/4	1/2 x 2	2490	542
8	6	1	7	6-1/8	3/4	6-7/8			651
10	7-5/16		8-9/16	7-7/16	7/8	8-7/16	1360		
12	8-1/4		9-9/16	8-7/16	7/8	9-3/8	1605		



Based on the allowable stresses shown in ANSI Code for pressure piping. For sizes 14 to 24, contact your Regional Sales Office.

## Pipe Straps, Pipe Clamps and Hangers

### Pipe Hangers

#### C720 Riser Clamp

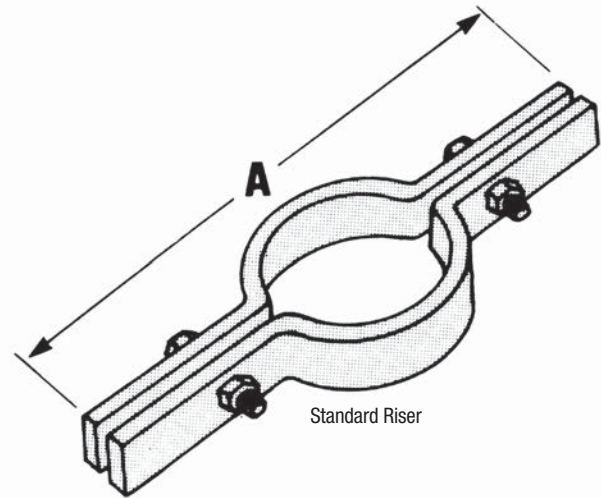
Standard Finishes - GoldGalv®, Bare (B)

Available in sizes 1/2 in. through 10 in.

Complies with Specification MSS SP69, Type 8.

Example: C720-1-1/2B

Pipe Size (in.)	A (in.)	Thickness (in.)	Width (in.)	Bolt (in.)	Max. Rec. Load, lb.	Wt./Ea. Approx.	
1/2	9-1/8	3/16	1	3/8 x 1-1/2	220	1.01	
3/4	9-1/4					1.06	
1	9-5/8					1.07	
1-1/4	9-7/8					1.12	
1-1/2	10	1/4			1-1/2	250	1.20
2	10-1/2						1.25
2-1/2	11-1/16						1.67
3	11-13/16						1.81
3-1/2	13	3/8	1-1/2	1/2 x 1-1/2	600	2.12	
4	13-1/2				750	2.22	
5	14				1500	3.44	
6	15-3/16				1600	3.65	
8	19			5/8 x 2-1/2	2500	7.24	



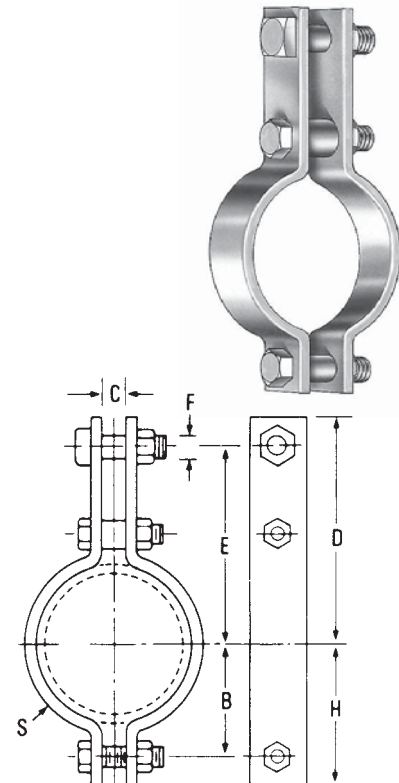
#### C726 Double Bolt Pipe Clamp

Standard Finish - Bare (B)

Carbon Steel. For the suspension of insulated pipelines. Normally used with weldless eye nut.

Example: C726-1/2B

Pipe Size (in.)	B (in.)	C (in.)	D (in.)	E (in.)	F (in.)	H (in.)	S (in.)	Max. Rec. Load, lb.	Wt./C Approx.
3/4	1-1/16	5/8	3-3/16	2-1/2	3/8	1-11/16	3/16 x 1	950	66
1	1-1/2		3-3/4	2-1/2		2-1/16			69
1-1/4	1-1/2	3/4	3-11/16	2-7/8	2-1/4	181			
1-1/2	1-13/16	1-1/16	4-7/8	3-3/4	5/8	2-13/16	1/4 x 1-1/4	1545	200
2	2-1/4		5-11/16	4-11/16		3-3/16			232
2-1/2	2-5/8		6-1/2	5-3/8		3-1/2			258
3	2-3/4		6-7/8	6		3-3/4			264
3-1/2	3	1-7/16	7-1/16	6-3/16	3/4	4	3/8 x 2	2500	750
4	3-3/8		7-5/8	6-1/2		4-1/2			813
5	3-15/16		8-1/8	7		5			1311
6	4-3/4		9-15/16	8-9/16		6-1/8			2865
8	5-3/4		10-15/16	9-9/16	1	7-1/8	3/8 x 2-1/2		1467

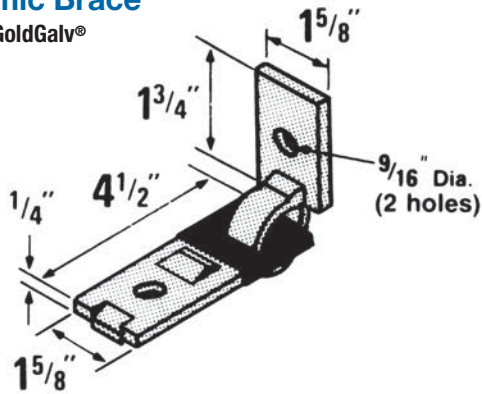


## Pipe Straps, Pipe Clamps and Hangers

### Seismic Bracing

#### C749N Seismic Brace

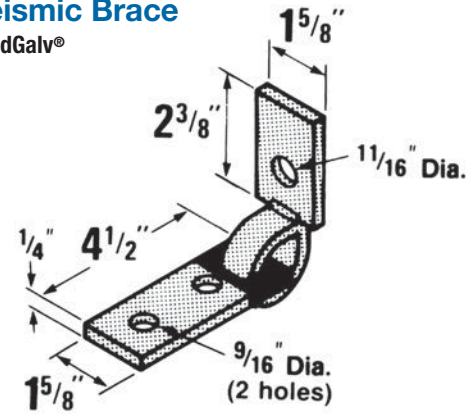
Standard Finish - GoldGalv®



1650 lb. load  
safety factor 3  
Wt./C 61 lb.

#### C749N-5/8 Seismic Brace

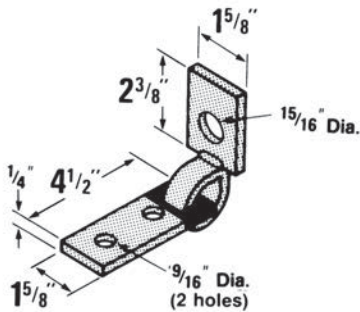
Standard Finish - GoldGalv®



1650 lb. load  
safety factor 3  
Wt./C 56 lb.

#### C749N-7/8 Seismic Brace

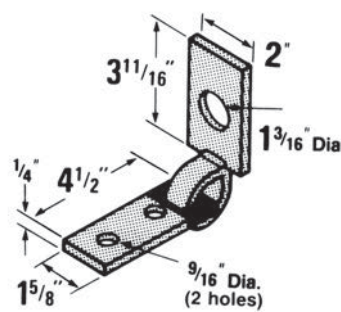
Standard Finish - GoldGalv®



1650 lb. load  
safety factor 3  
Wt./C 74 lb.

#### C749N-1 1/8 Seismic Brace

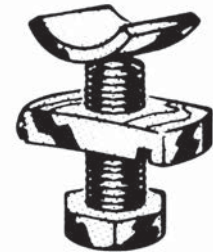
Standard Finish - GoldGalv®



1650 lb. load  
safety factor 3  
Wt./C 72 lb.

#### ES142

Standard Finish - GoldGalv®



Cat. No.	Bolt Dia.	Wt./C lb.
ES-142-1/2 x 1-1/2	1/2	21

Seismic bracing rod  
stiffener connector.  
Wt./C 21 lb.

All braces have plastisol coating on the flat member.  
Plastisol insulates against vibration noise transmission and eliminates rattle at the connection points.