

Clamps

2 Hole Nonmetallic Conduit Clamps

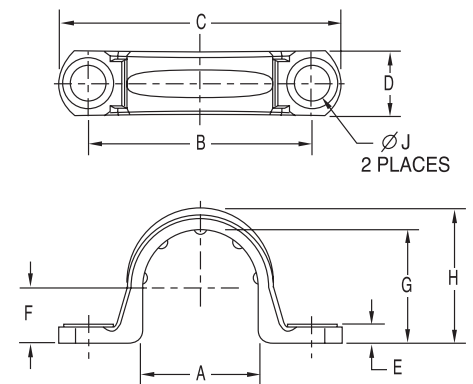
Nonmetallic clamps offer the same chemical resistance as Carlton nonmetallic conduits for a complete, corrosion resistant system.

To be used in accordance with conduit spacing requirements per Section 12-1114 of the CEC.

- UV inhibited for use in direct sunlight



Nylon Mansory Clamp



Conduit Clamps

Cat. No.	Size in. (mm)	Std. Ctn. Qty.	Std. Ctn. Wt. (lb.)	Dimensions in. (mm)								
				A	B	C	D	E	F	G	H	J
E977DC	1/2 (16)	100	1.2	0.892 (22.6)	1.71 (43.4)	2.16 (54.8)	0.50 (12.7)	0.14 (3.5)	0.42 (10.6)	0.866 (21.9)	1.04 (26.4)	0.260 (6.6)
E977EC	3/4 (21)	100	1.4	1.102 (27.9)	1.97 (50.0)	2.40 (60.9)	0.50 (12.7)	0.14 (3.5)	0.525 (13.3)	1.076 (27.3)	1.255 (31.8)	0.260 (6.6)
E977FC	1 (27)	100	2	1.39 (35.3)	2.25 (57.1)	2.81 (71.3)	0.594 (15.0)	0.14 (3.5)	0.658 (16.7)	1.342 (34.0)	1.574 (39.9)	0.260 (6.6)
E977GC	1-1/4 (35)	50	5	1.714 (43.5)	2.68 (68.0)	3.28 (83.3)	0.64 (16.2)	0.15 (3.8)	0.83 (21.0)	1.687 (42.8)	1.89 (48.0)	0.320 (8.1)
E977HC	1-1/2 (41)	50	6	1.92 (48.7)	2.82 (71.6)	3.44 (87.3)	0.70 (17.7)	0.15 (3.8)	0.97 (24.6)	1.93 (49.0)	2.12 (53.8)	0.312 (7.9)
E977JC	2 (53)	25	4.5	2.54 (64.5)	3.54 (89.9)	4.18 (106.1)	0.76 (19.3)	0.16 (4.0)	1.05 (26.6)	2.29 (58.1)	2.49 (63.2)	0.315 (8.0)
E977K*	2-1/2 (63)	50	10	2.88 (73.0)	4.88 (123.8)	5.81 (147.7)	1.00 (25.4)	0.05 (1.3)	1.44 (36.5)	2.88 (73.0)	3.00 (76.1)	0.38 (9.5)
E977KC-CAR	2-1/2 (63)	25	1.4	2.86 (72.6)	4.50 (114.3)	5.46 (138.7)	1.00 (25.4)	0.20 (5.08)	1.43 (36.3)	2.86 (72.6)	3.12 (79.2)	0.36 (9.14)
E977L*	3 (78)	25	5.0	3.38 (85.7)	5.72 (145.3)	6.88 (174.6)	1.00 (25.4)	0.05 (1.3)	1.66 (41.9)	3.34 (84.9)	3.47 (88.0)	0.38 (9.5)
E977LC-CAR	3 (78)	20	1.4	3.47 (88.2)	5.00 (127.0)	6.00 (152.4)	1.00 (25.4)	0.20 (5.08)	1.74 (44.3)	3.48 (88.4)	3.70 (94.0)	0.36 (9.14)
E977N*	4 (103)	15	3.0	4.75 (120.7)	7.52 (190.9)	8.77 (222.7)	1.25 (31.8)	0.12 (3.1)	1.94 (49.2)	4.38 (111.1)	4.50 (114.2)	0.50 (12.7)
E977NC-CAR	4 (103)	15	12.2	4.366 (110.9)	6.15 (156.2)	7.20 (182.9)	1.00 (25.4)	0.20 (5.08)	2.32 (58.8)	4.50 (114.3)	4.70 (119.4)	0.36 (9.14)
E977NDC-CTN**	1/2 (16)	12	1.2	-	-	-	-	-	-	-	-	-
E977NEC-CTN**	3/4 (21)	12	1.3	-	-	-	-	-	-	-	-	-

* PVC coated steel straps

** Nylon masonry clamp