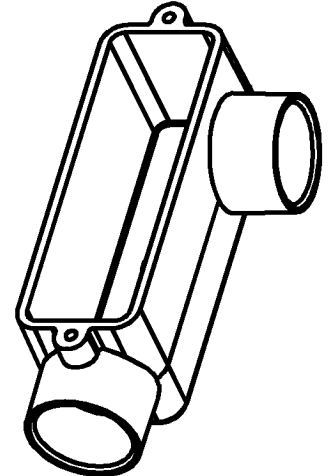
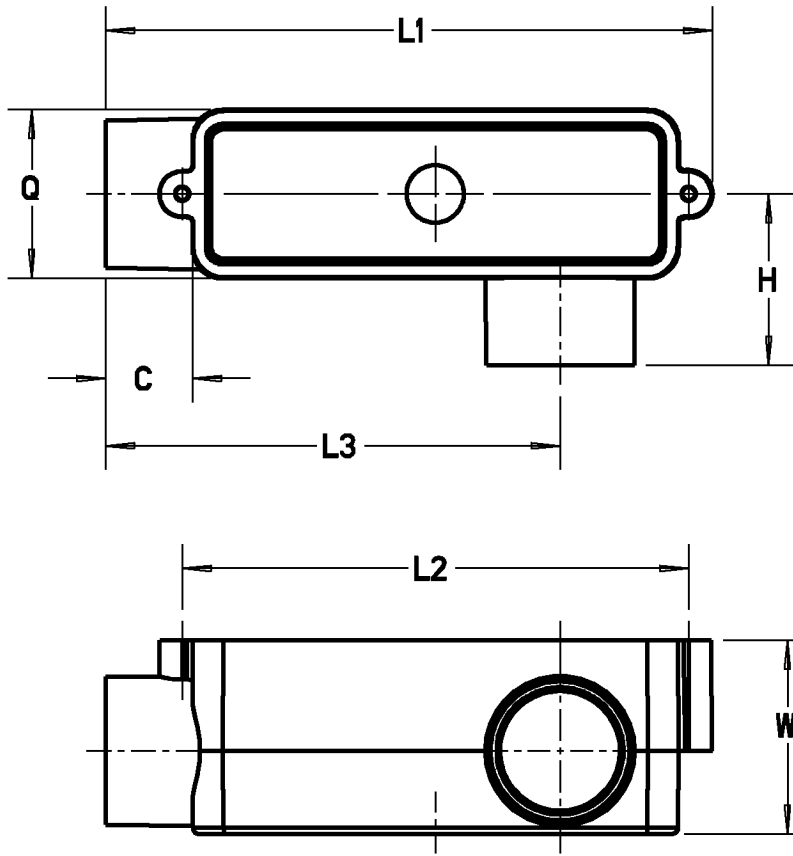


# Carlton®



PART NO.	SIZE	C	L1	L2	L3	H	Q	W	CU. IN. VOL.
E984D-CAR E984DCL E984D-CTN E984DL	1/2"	.68 [17.3]	4.31 [109.5]	3.22 [81.8]	3.06 [77.7]	1.31 [33.3]	1.34 [33.3]	1.50 [38.1]	4.0
E984E E984E-CAR E984E-CTN E984EL	3/4"	.91 [23.1]	6.28 [159.8]	5.28 [134.1]	4.78 [121.4]	1.78 [45.2]	1.75 [44.5]	2.03 [51.6]	12.0
E984F-CAR E984FL	1"	.91 [23.1]	6.28 [159.8]	5.28 [134.1]	4.78 [121.4]	1.78 [45.2]	1.75 [44.5]	2.03 [51.6]	12.0
E984G E984G-CAR	1-1/4"	1.09 [27.7]	7.97 [202.4]	6.41 [162.8]	6.00 [152.4]	2.31 [58.7]	2.50 [63.5]	2.75 [69.9]	32.0
E984H E984H-CAR	1-1/2"	1.09 [27.7]	7.97 [202.4]	6.41 [162.8]	6.00 [152.4]	2.31 [58.7]	2.50 [63.5]	2.75 [69.9]	32.0
E984J E984J-CAR	2"	1.16 [29.5]	9.16 [232.7]	8.41 [213.6]	7.25 [184.2]	2.56 [65.0]	3.16 [80.3]	3.47 [88.1]	63.0

### GENERAL NOTES

- ALL DIMENSIONS ARE FOR REFERENCE ONLY.
- DIMENSIONS IN BRACKETS [ ] ARE IN METRIC UNITS.

### REVISIONS

\*\*\* SEE ERN ( \*\*\*\* ) FOR APPROVAL SIGNATURES & RELEASE DATE.  
PROJECT NO: \*\*\*\*

**Thomas & Betts**  
www.tnb.com

DESCRIPTION: **ACCESS FITTING - TYPE "LL"**

ORIGINAL PROJECT NO / ( ERN NO )  
/ ( )

SHEET NO:  
1 OF 1

REV. NO:  
A

DRAWING NO:  
WSD-AC04745