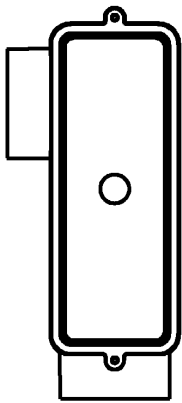
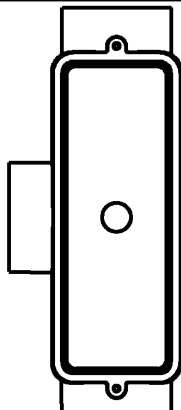


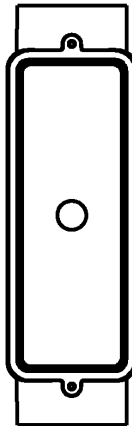
Carlton®



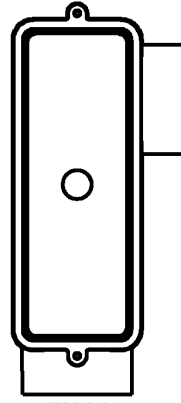
E985J
E985J-CAR
TYPE LR



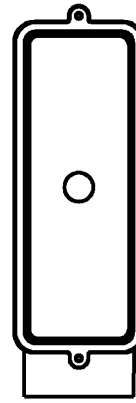
E983J
E983J-CAR
TYPE T



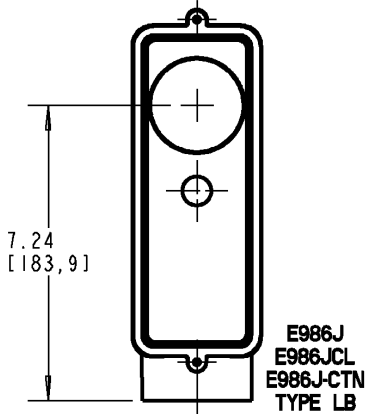
E987J
E987J-CAR
TYPE C



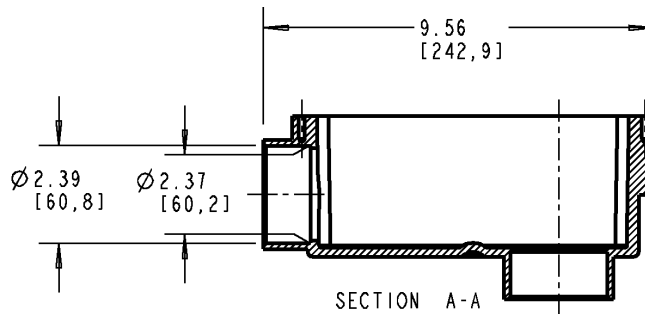
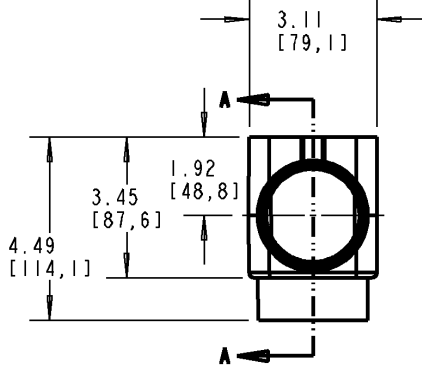
E984J
TYPE LL



E988J
TYPE E



E986J
E986JCL
E986J-CTN
TYPE LB



NOTES:

- FITTING ASSEMBLIES INCLUDE:
 - 1 - FITTING BODY
 - 1 - GASKET
 - 1 - COVER
 - 2 - SCREWS
- PORT DIMENSIONS ARE TYPICAL REGARDLESS OF POSITION.

GENERAL NOTES

- ALL DIMENSIONS ARE FOR REFERENCE ONLY.
- DIMENSIONS IN BRACKETS [] ARE IN METRIC UNITS.

REVISIONS

*** SEE ERN (****) FOR APPROVAL SIGNATURES & RELEASE DATE.
PROJECT NO: ****

Thomas & Betts
www.tnb.com

DESCRIPTION:

ACCESS FITTING - 2"

ORIGINAL PROJECT NO / (ERN NO)

/ ()

SHEET NO:

1 OF 1

REV. NO:

A

DRAWING NO:

WSD-AC04830

THIS DRAWING IS INTENDED FOR DESCRIPTIVE PURPOSES ONLY. AND THE RIGHT IS RESERVED TO DEVIATE FROM ANY OF THE DETAILS SHOWN HEREON.

©2008 Thomas & Betts - Proprietary, All Rights Reserved