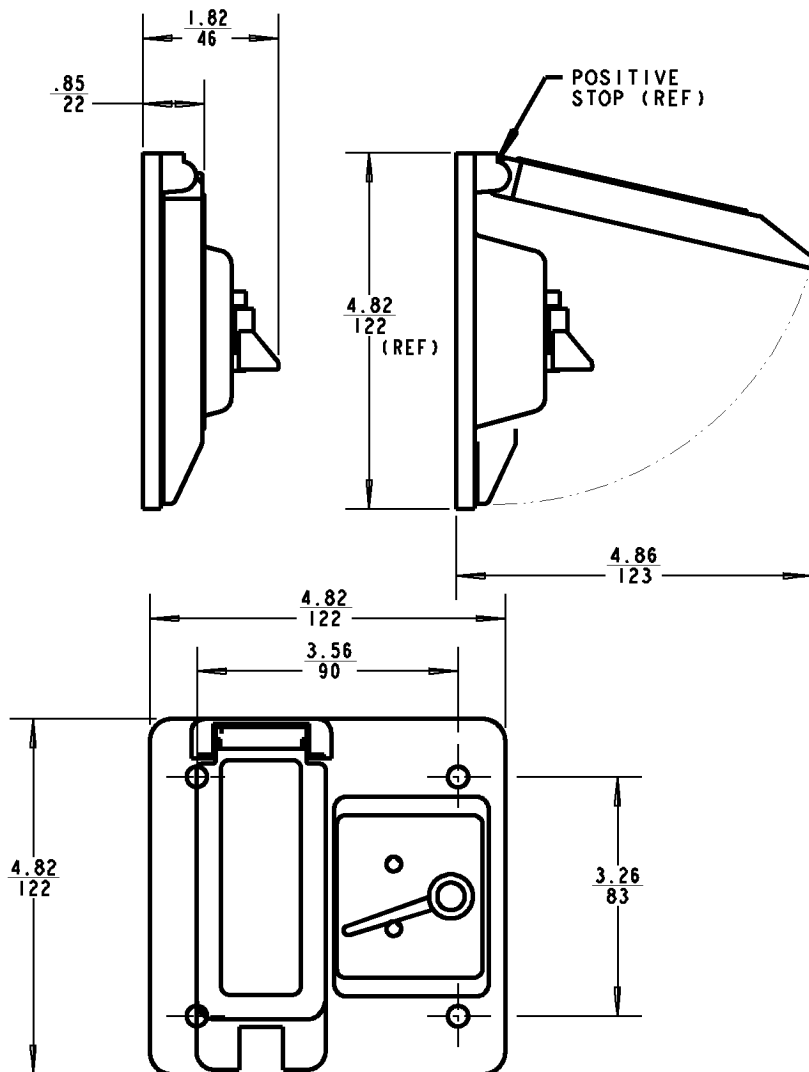


Carlton®



PART NO.	STYLE	COLOR	MATERIAL
E9G2DSN E9G2DSN-CAR E9G2DSNCL E9G2DSNL	DUPLEX/TOGGLE	GRAY	LEXAN
E9G2GTN-CAR E9G2GTNR E9G2GTNRCL E9G2GTNRL	GF1/TOGGLE	GRAY	LEXAN

GENERAL NOTES

1. ALL DIMENSIONS ARE FOR REFERENCE ONLY.
2. DIMENSIONS IN BRACKETS [] ARE IN METRIC UNITS.

REVISIONS

*** SEE ERN (****) FOR APPROVAL SIGNATURES & RELEASE DATE.
PROJECT NO: ****

Thomas & Betts
www.tnb.com

DESCRIPTION:

**WEATHERPROOF COVER
2 GANG COMBINATION**

ORIGINAL PROJECT NO / (ERN NO)

/ ()

SHEET NO:

1 OF 1

REV. NO:

B

DRAWING NO:

WSD-AC02262